

Teapot Project

Teapots are a very traditional project for ceramic artists. They challenge the artist to create an aesthetically pleasing sculpture as well as something that performs a function. Every teapot has its own set of problems that need to be solved. Your teapot must adhere to the following qualifications:

Design: Your teapot must be designed based on a *shape, theme, or representational object*.

Shape: Your teapot is designed around a single shape like a sphere or a triangle or other shape.



Theme: Your teapot is designed around a general theme like war, or peace, or anger, etc.

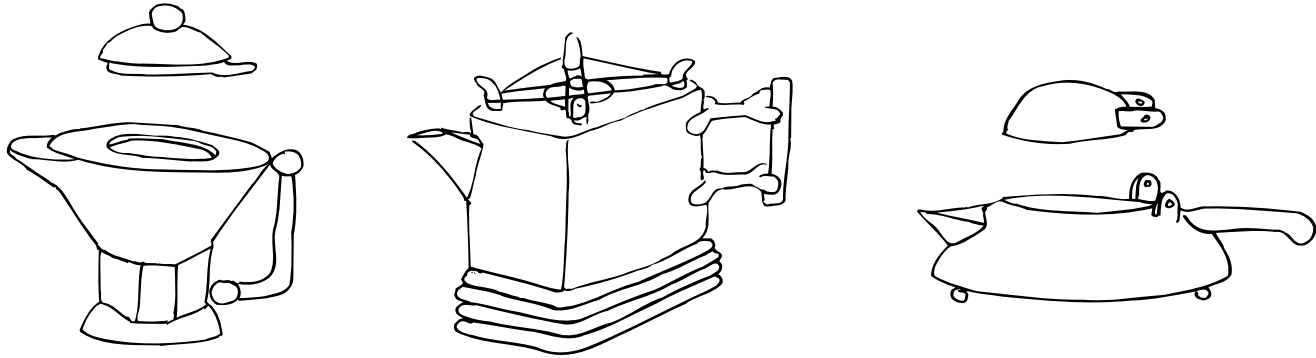


Representational: Your teapot is designed around an object like a tree, or a polar bear, or some other “thing.”



You can not design a teapot that uses established symbols or logos. No Chicago Bears teapot or Mickey Mouse teapot. Your teapot must be all original.

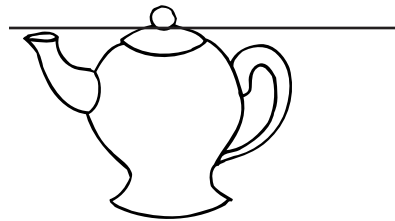
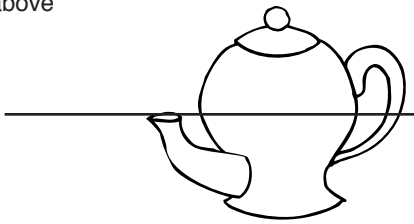
Lid: Your teapot must be designed so you can remove the lid, but it stays on when you pour.



Body: The body of the teapot should be about 7" x 7" x 7".

Spout: The spout must be functional and not spill out if over filled.

When filled above
this line, the
teapot would
overflow,



This teapot would
not overflow even
when filled.

Handle: The handle must be part of the design, (not just a loop or ring,) and strong enough to support the weight of the teapot with water in it.

Use the spaces below to design a teapot in each of the three design styles, choose the one you like most, and get it approved by Mr. Faltinoski.

SHAPE

THEME

REPRESENTATIONAL

Use the space below to draw a more detailed image of your teapot, indicating the building style(s) (pinch pot, coil, slab, and/or drape) you will use to construct it.

