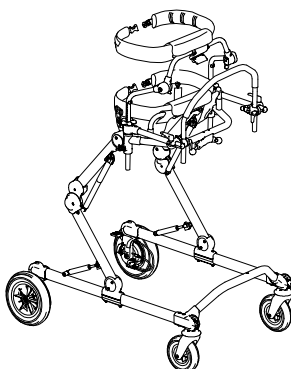
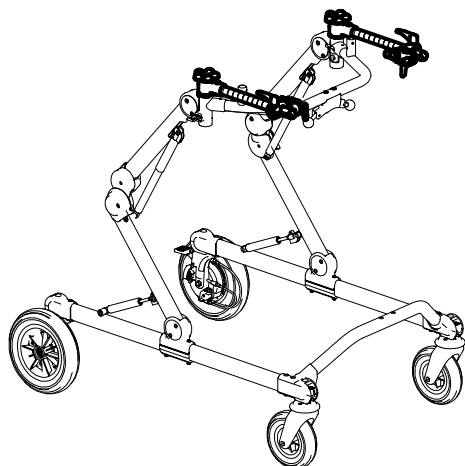
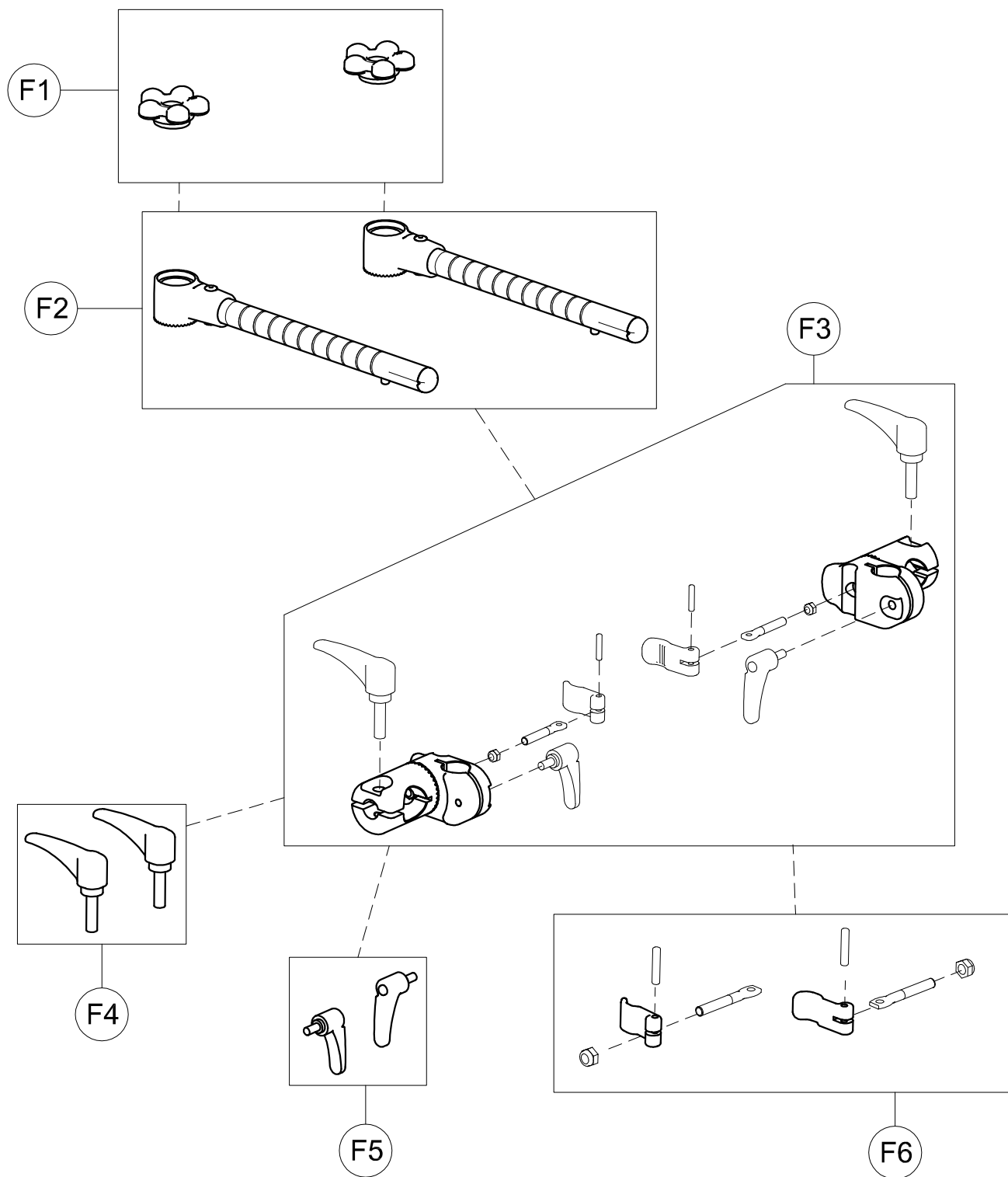


A	103641	925-L TRUNK SUPPORT
B	103637	924-L PELVIC SUPPORT
C	103633	930-L PELVIC HARNESS
D	103613	809-L ARM SUPPORT
E	103599	926-L HANDLEBAR FOR FRONT DRIVE
F	303235	FRAME FOR FRONT DRIVE
G	102810	890-C Large LEG DIVIDER+ABDUCTOR
N	103656	928 med/large REAR WHEELS NARROW BASE WITH BRAKE PEDALS
R	105605	810 M-L PAIR OF WEIGHT BARS
S	102813	890-SC Large LEG DIVIDER
T	102970	939 ERGONOMIC HANDLES
V	103616	943 M-L ARM STRAPS
POS.	PART NR.	DESCRIPTION



Spare Parts FRONT DRIVE GRILLO size large



F1	301797	PAIR OF KNOBS TO FIX HORIZONT.SUPPORT.
F2	302284	PAIR OF HORIZ.BARS FOR HANDLEBAR GRILLO large(5)
F3	302450	RGT-LEFT SUPPORTS OF 809 GRILLO
F4	301799	PAIR OF M8X35 HANDLES
F5	301800	PAIR OF M6X30 HANDLES
F6	301801	SET OF LEVERS TO LOCK THE HANDLEBAR VERTICALLY
POS.	PART NR.	DESCRIPTION

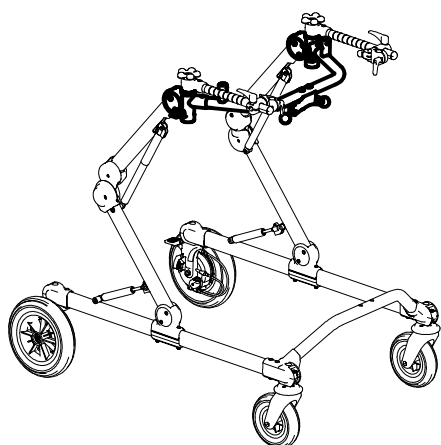
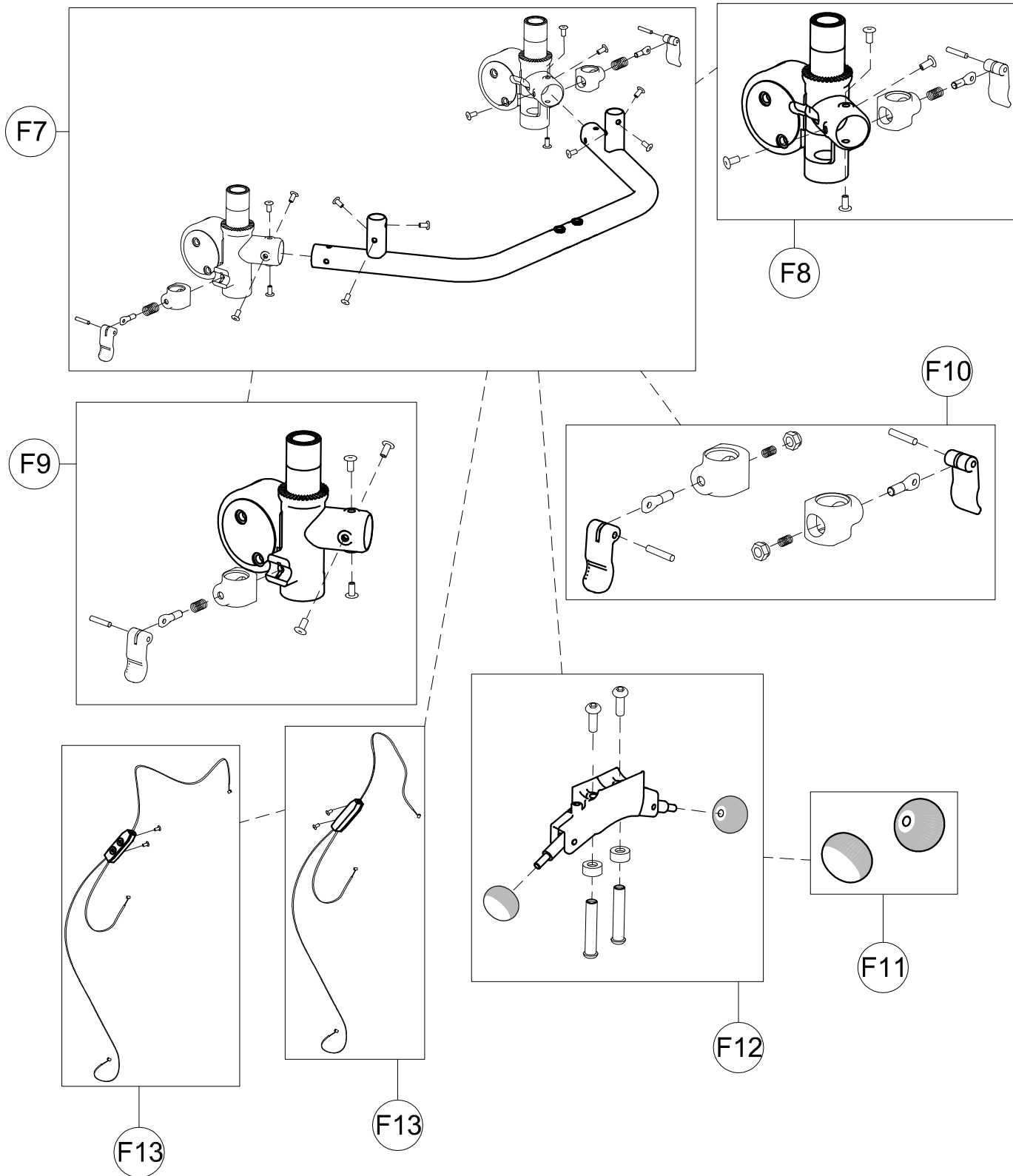
Spare Parts **HANDLEBAR SUPPORT + HORIZONTAL BARS**  
**FRONT-DRIVE GRILLO size Large**

pag. 2

**ORMESA®**

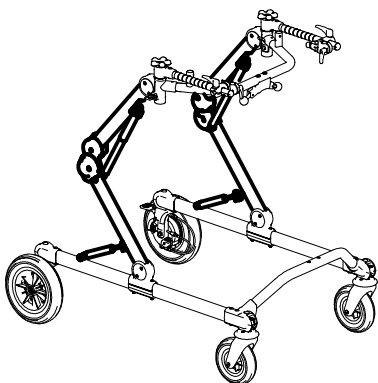
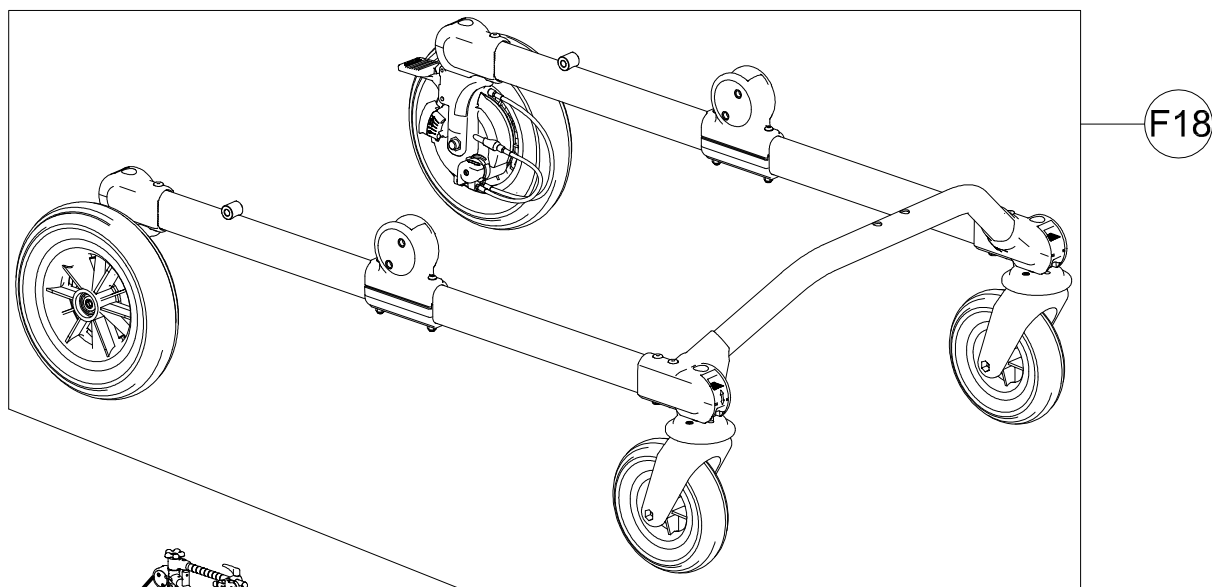
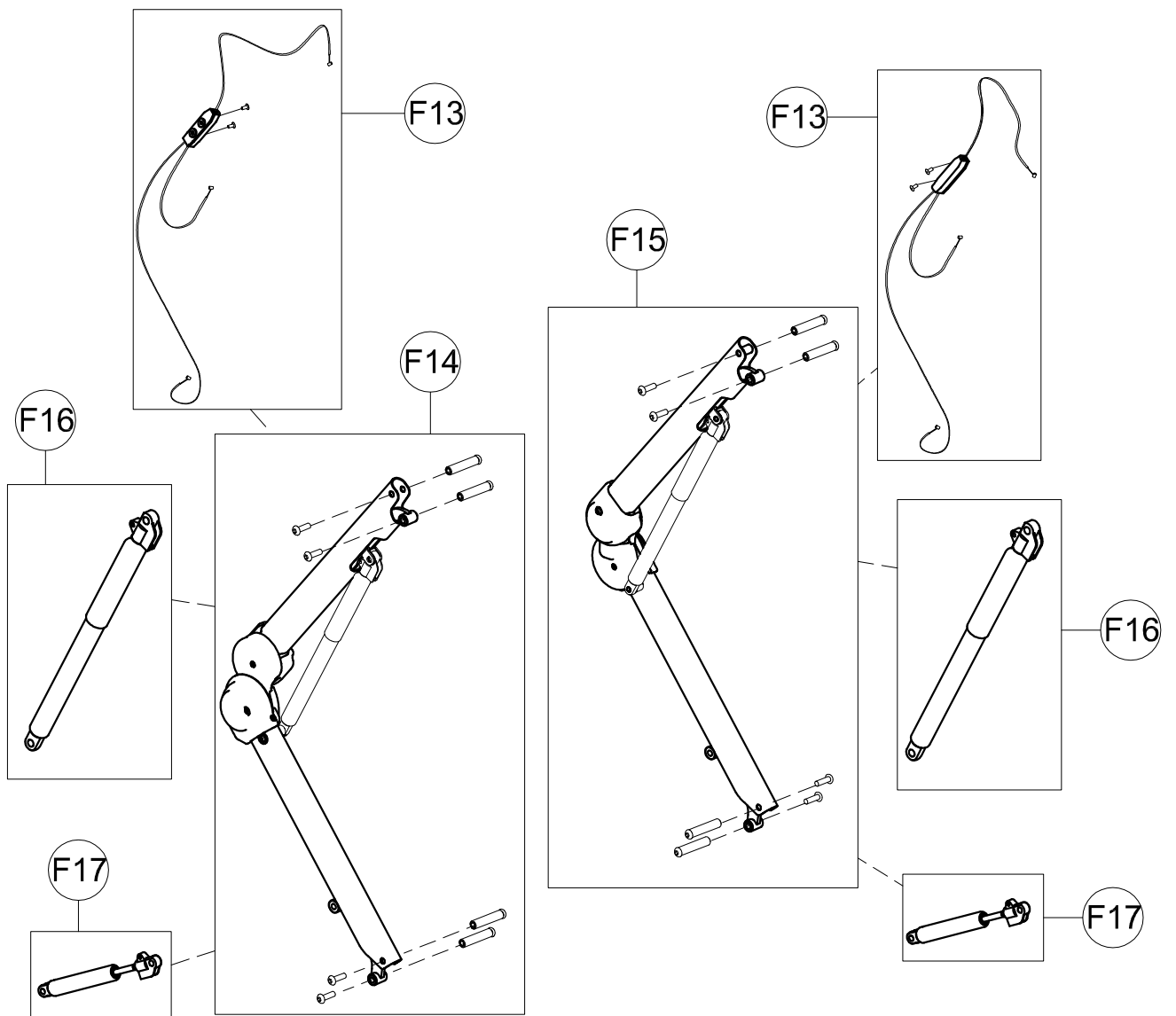
**GRILLO**

THIS DRAWING BELONGS TO ORMESA: IT IS FORBIDDEN TO REPRODUCE, CHANGE OR INFORM ANY THIRD PARTY ABOUT ITS CONTENTS



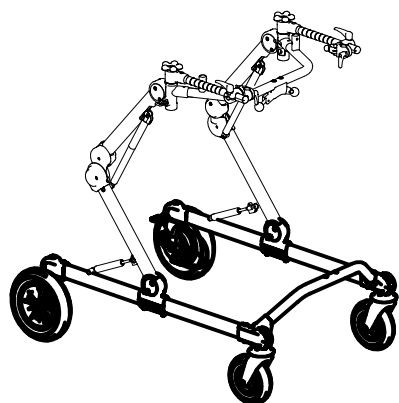
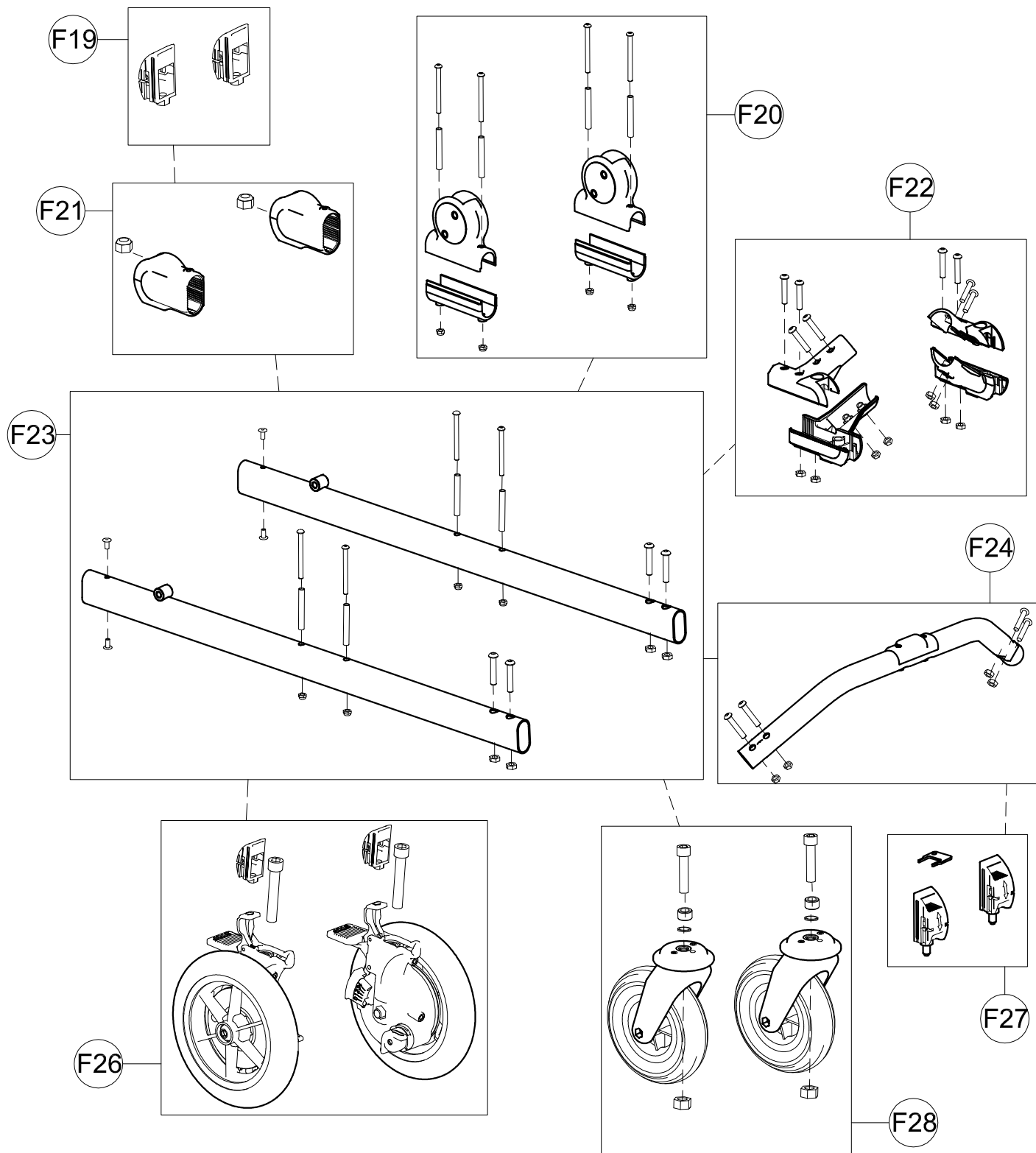
F7	303236	UPPER CROSSPIECE SUPPORT+LOCKING LEVERS
F8	302287	LEFT UPPER CROSSPIECE SUPPORT+LOCKING LEVER
F9	302286	RIGHT UPPER CROSSPIECE SUPPORT+LOCKING LEVER
F10	302288	SET OF LEVERS TO LOCK TRUNK SUPPORT VERTICALLY
F11	301808	PAIR OF KNOBS FOR GAS SPRING GRILLO
F12	302290	COMMAND SUPPORT + LEVERS AND KNOBS
F13	303406	CABLES SET+ DOUBLER
POS.	PART NR.	DESCRIPTION

**Spare Parts** UPPER PART OF FRONT-DRIVE  
GRILLO BASE size Large



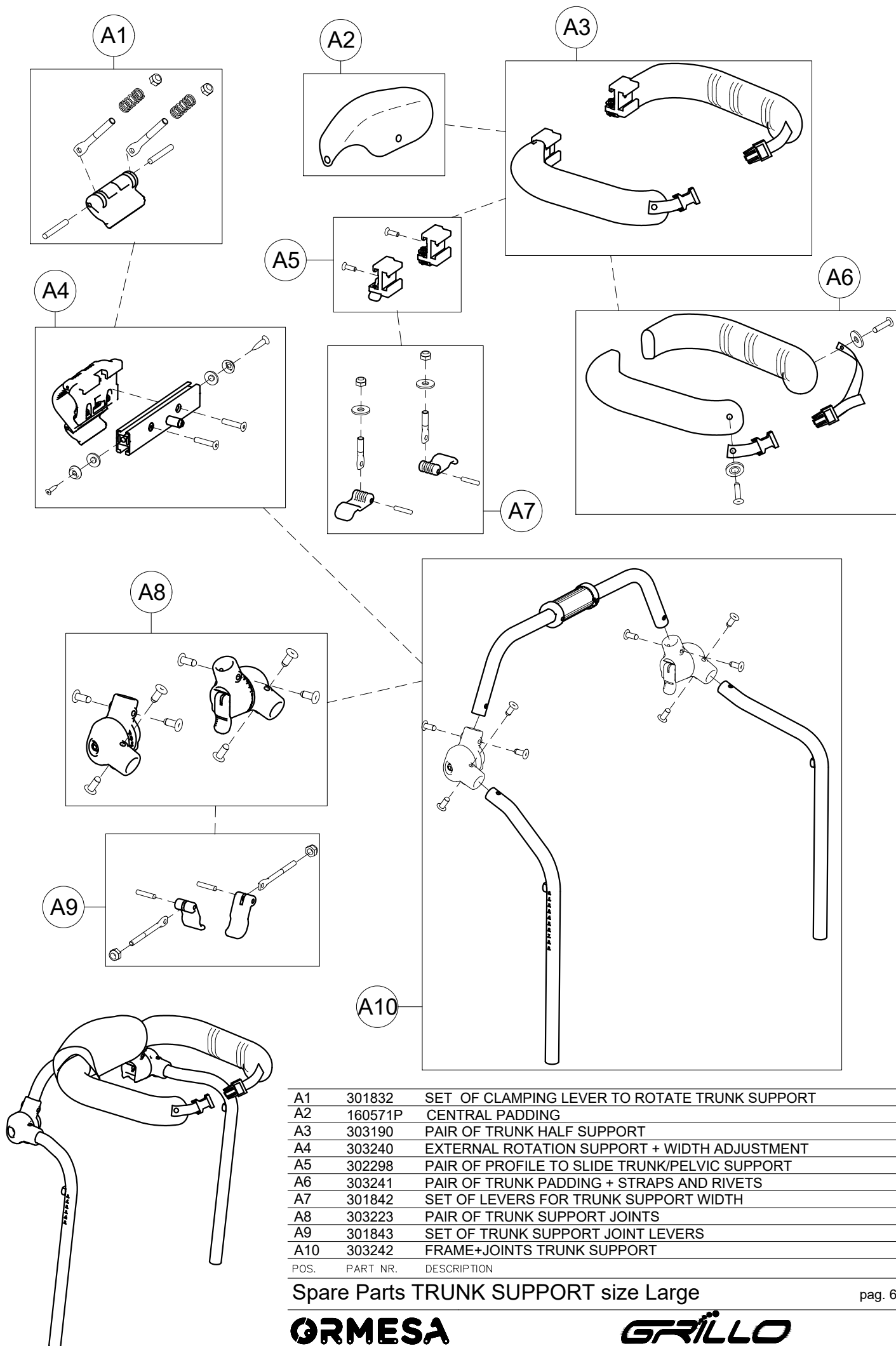
F13	303406	CABLES SET+ DOUBLER FOR GRILLO large(5)
F14	302292	COMPLETE RGT SIDE GRILLO large(5)
F15	302293	COMPLETE LEFT SIDE GRILLO large(5)
F16	302033	UPPER GAS SPRING GRILLO large(5)
F17	302395	LOWER GAS SPRING GRILLO large(5)
F18	303237	FRONT-DRIVE GRILLO Large BASE + WHEELS
POS.	PART NR.	DESCRIPTION

Spare Parts FRONT-DRIVE GRILLO SIDES size Large



F19	303508	PAIR OF DIRECT.CAPS FOR WHEELS GRILLO
F20	301812	PAIR OF UPPER/LOWER SUPPORTS OF SIDE GRILLO
F21	303208	PAIR OF WHEEL SUPPORTS
F22	303211	KIT OF LOWER CROSSPIECE SUPPORT
F23	303238	PAIR OF BASE SIDES
F24	303239	LOWER CROSSPIECE+SCREWS
F26	303476	PAIR OF COMPLETE REAR WHEELS
F27	302546	PAIR OF DIRECTION LOCKS
F28	303387	PAIR OF COMPLETE FRONT WHEELS
POS.	PART NR.	DESCRIPTION

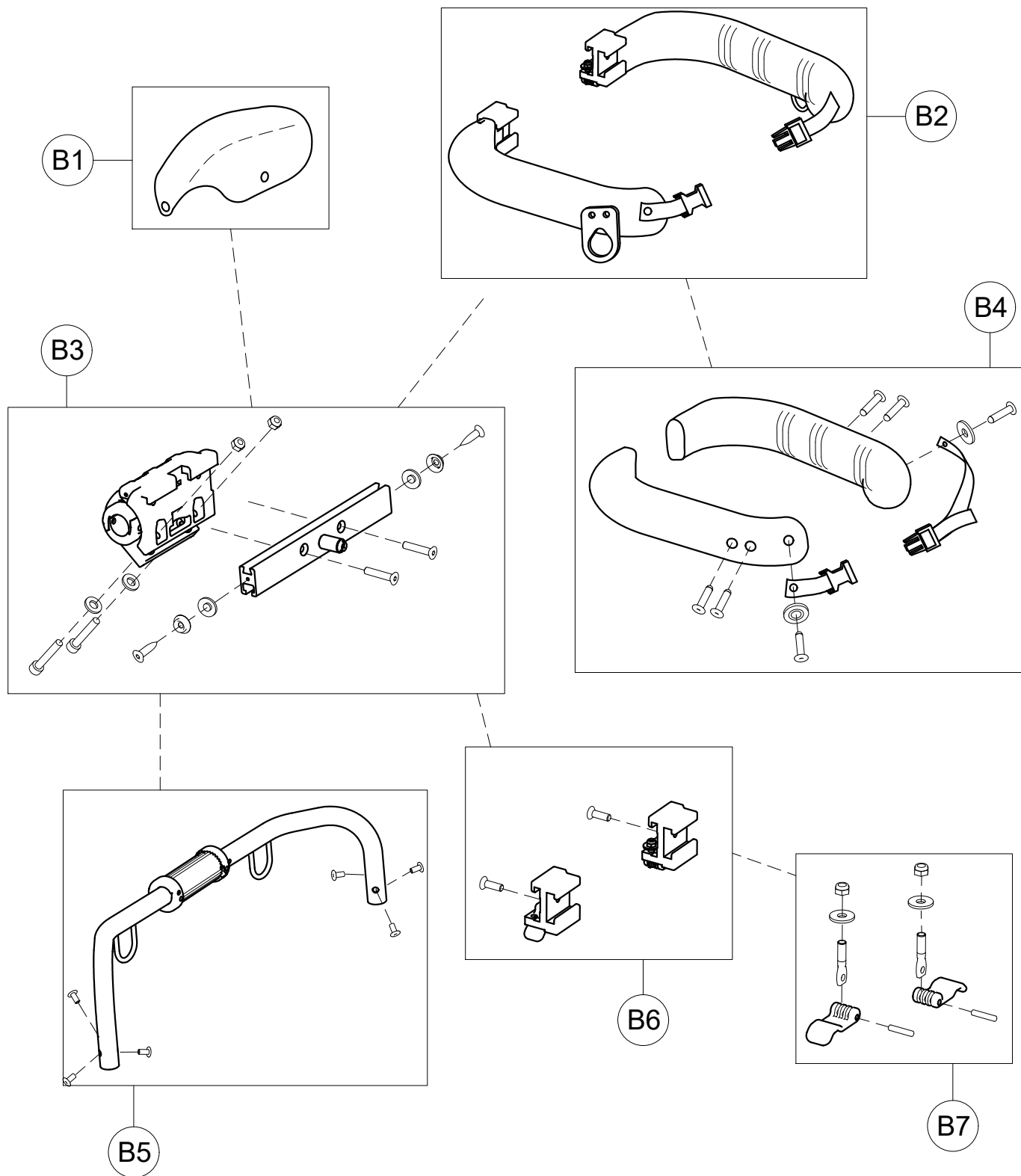
Spare Parts LOWER PART OF FRONT-DRIVE  
GRILLO BASE size Large



A1	301832	SET OF CLAMPING LEVER TO ROTATE TRUNK SUPPORT
A2	160571P	CENTRAL PADDING
A3	303190	PAIR OF TRUNK HALF SUPPORT
A4	303240	EXTERNAL ROTATION SUPPORT + WIDTH ADJUSTMENT
A5	302298	PAIR OF PROFILE TO SLIDE TRUNK/PELVIC SUPPORT
A6	303241	PAIR OF TRUNK PADDING + STRAPS AND RIVETS
A7	301842	SET OF LEVERS FOR TRUNK SUPPORT WIDTH
A8	303223	PAIR OF TRUNK SUPPORT JOINTS
A9	301843	SET OF TRUNK SUPPORT JOINT LEVERS
A10	303242	FRAME+JOINTS TRUNK SUPPORT

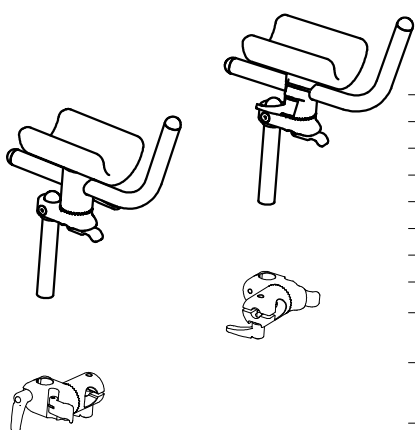
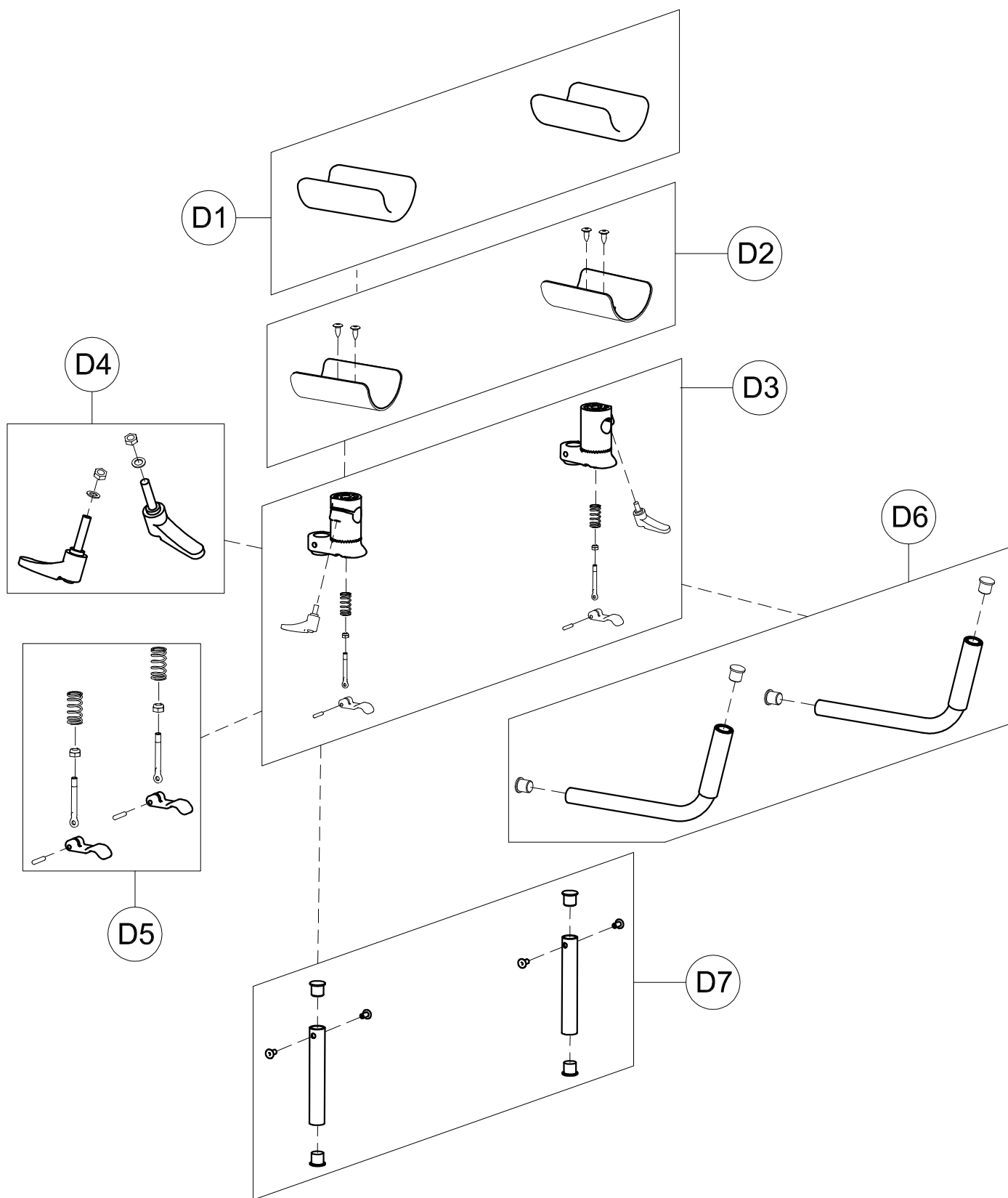
POS. PART NR. DESCRIPTION

### Spare Parts TRUNK SUPPORT size Large



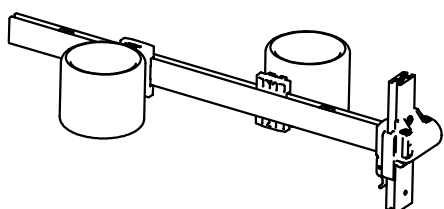
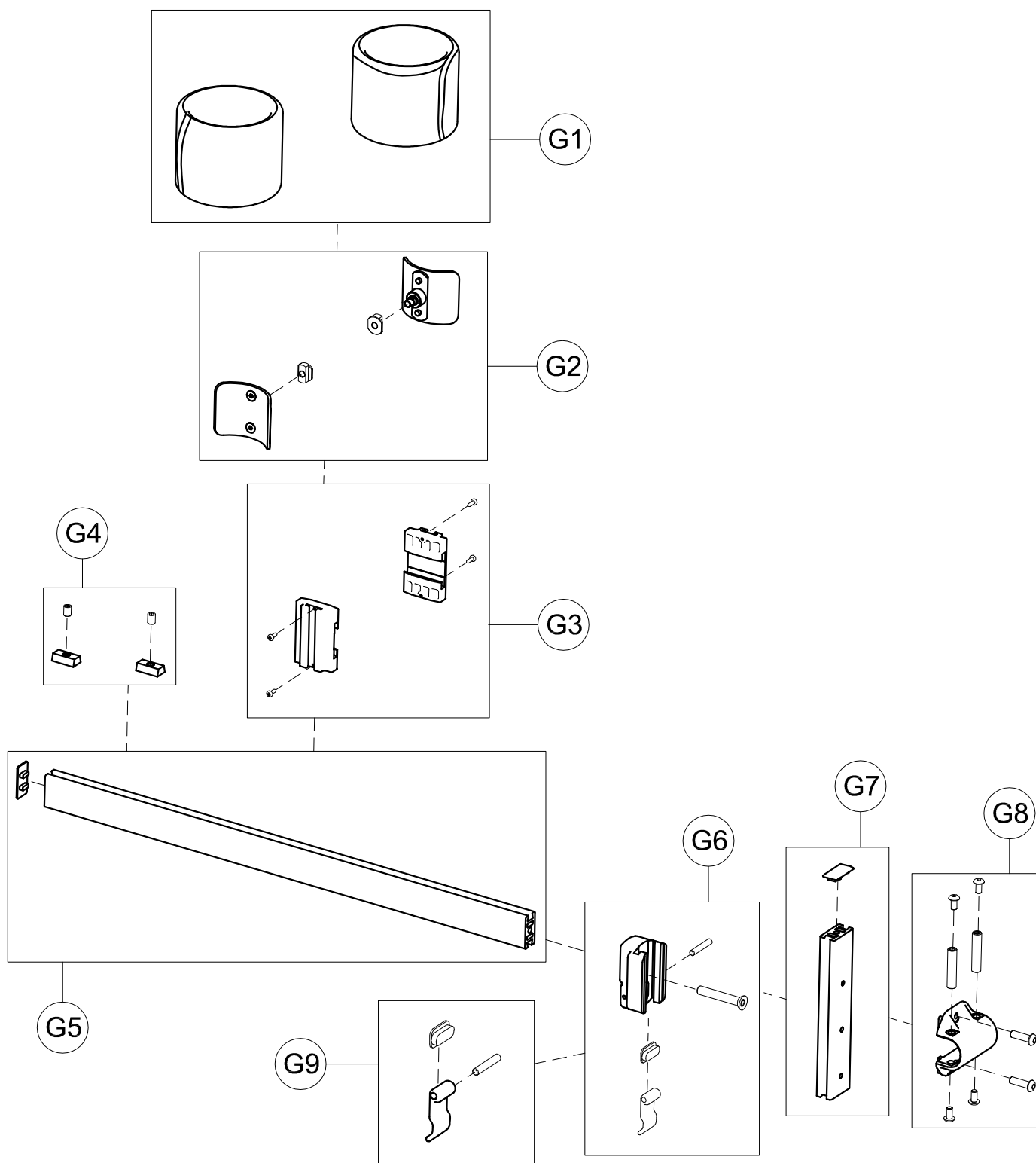
B1	160571P	CENTRAL PADDING
B2	303189	PAIR OF PELVIC HALF SUPPORT
B3	303244	EXTERNAL SUPPORT + PELVIC WIDTH ADJUSTMENT
B4	303245	PAIR OF PELVIC PADDING + STRAPS AND RIVETS
B5	303246	PELVIC TRAVERSE SUPPORT
B6	302298	PAIR OF PROFILE TO SLIDE TRUNK SUPPORT
B7	301842	SET OF LEVERS FOR TRUNK SUPPORT WIDTH
POS.	PART NR.	DESCRIPTION

Spare Parts PELVIC SUPPORT size Large



D1	171254	809 medium/large ARM SUPPORT UPHOLSTERY
D2	301850	PAIR OF CURVED PLATE 809 medium/large
D3	301851	PAIR OF LOWER/UPPER TOOTHED SUPPORTS 809
D4	303108	PAIR OF M6X25 LEVERS
D5	301852	SET OF TOOTHED SUPP.LEVERS 809
D6	301853	PAIR OF HANDLEBAR BARS 809
D7	301855	PAIR OF VERT.BARS 809
POS.	CODICE	DESCRIZIONE

Spare Parts ARM SUPPORTS size Medium and Large



G1	171535	890 large(5) UPHOLSTERY for GRILLO
G2	302933	PAIR OF CURVED PLATE 890 large(5) GRILLO
G3	301858	PAIR OF ABDUCT.SLIDING PROFILE GRILLO
G4	301859	PAIR OF ABDUCT. 890 STOP GRILLO
G5	302304	HORIZONTAL BAR 890 large(5) + CAP GRILLO
G6	301862	890 FIXING BAR +LEVER/SCREWS
G7	303232	890 VERTICAL BAR + CAP
G8	303233	FIXING LOCK 890 + SCREWS
G9	301866	SET OF HEIGHT ADJUST.LEVER 890 GRILLO
POS.	PART NR.	DESCRIPTION

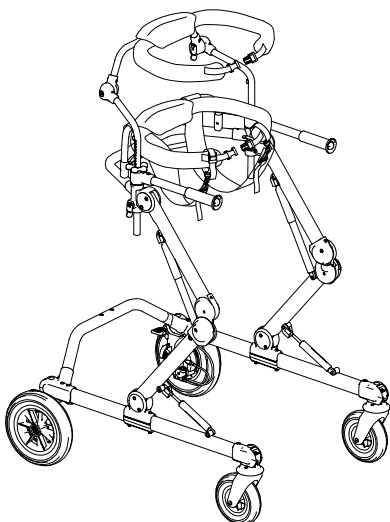
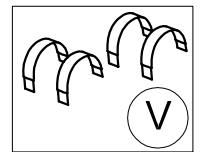
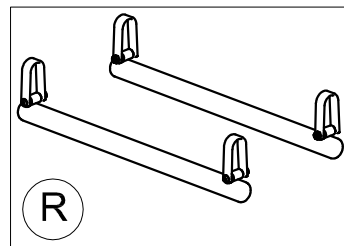
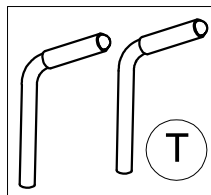
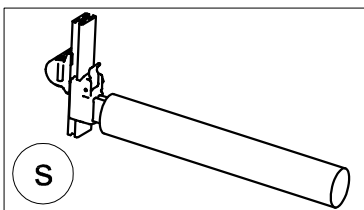
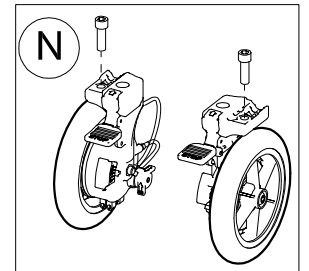
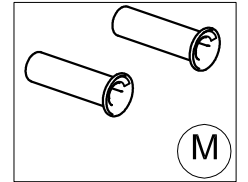
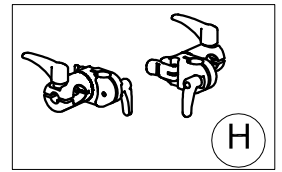
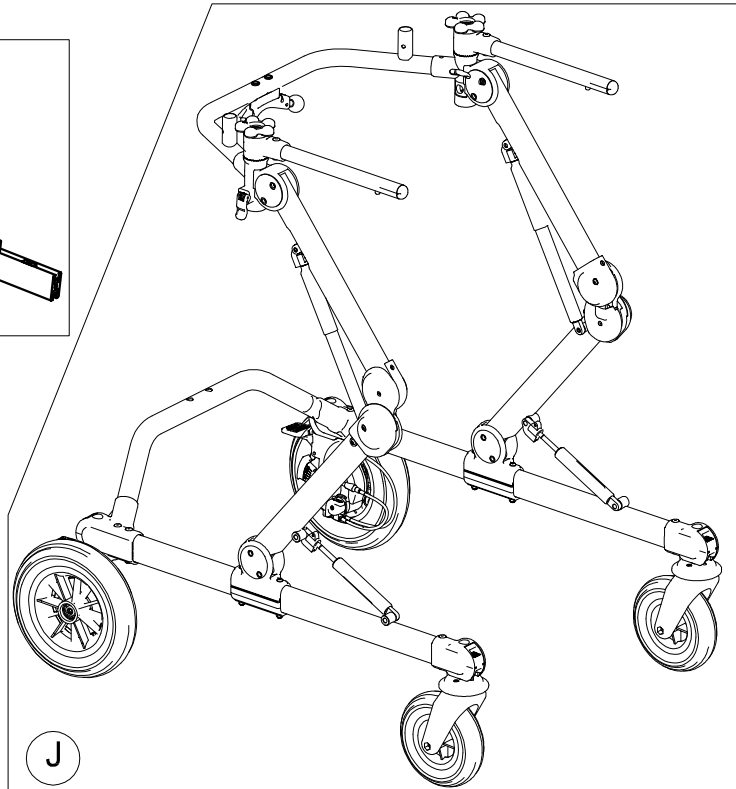
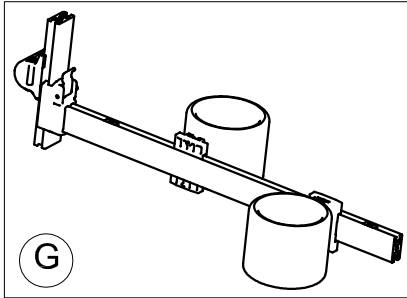
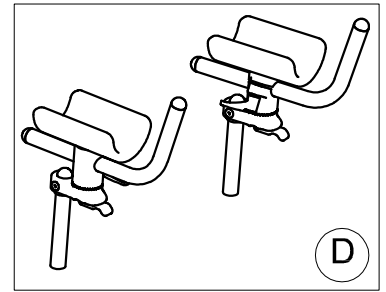
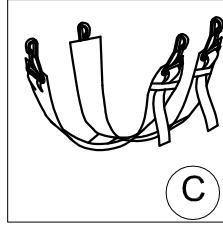
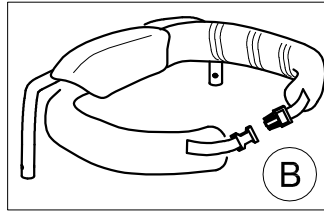
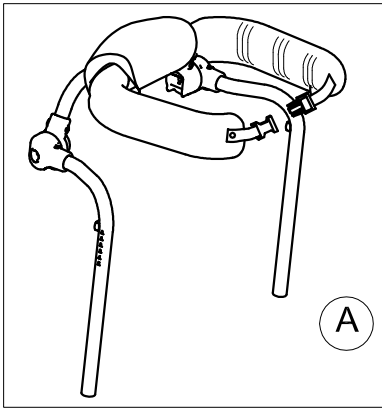
Spare Parts LEG DIVIDER+ABDUCTORS size Large

pag. 9

**ORMESA®**

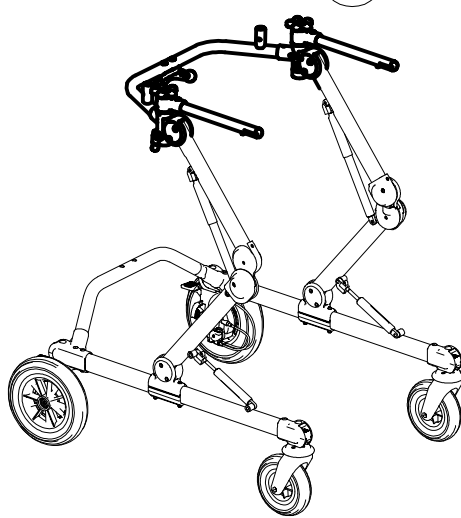
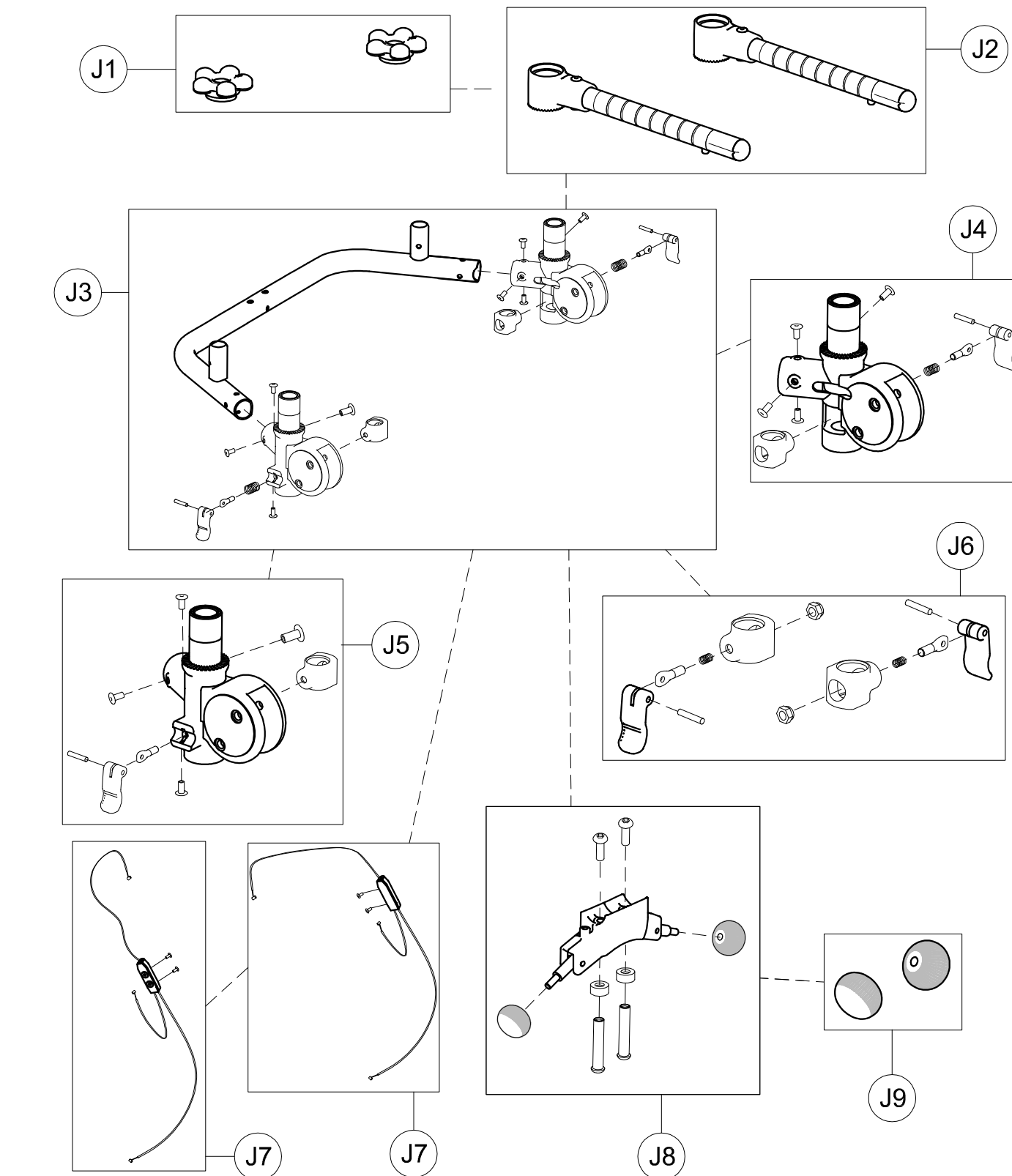
**GRILLO**

THIS DRAWING BELONGS TO ORMESA: IT IS FORBIDDEN TO REPRODUCE, CHANGE OR INFORM ANY THIRD PARTY ABOUT ITS CONTENTS



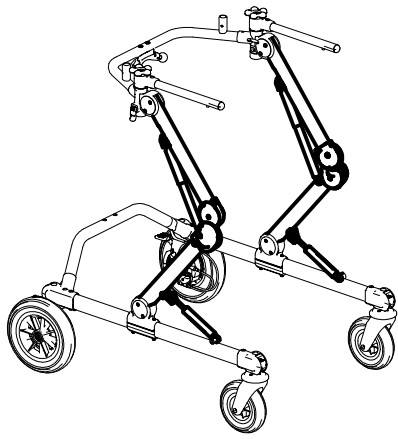
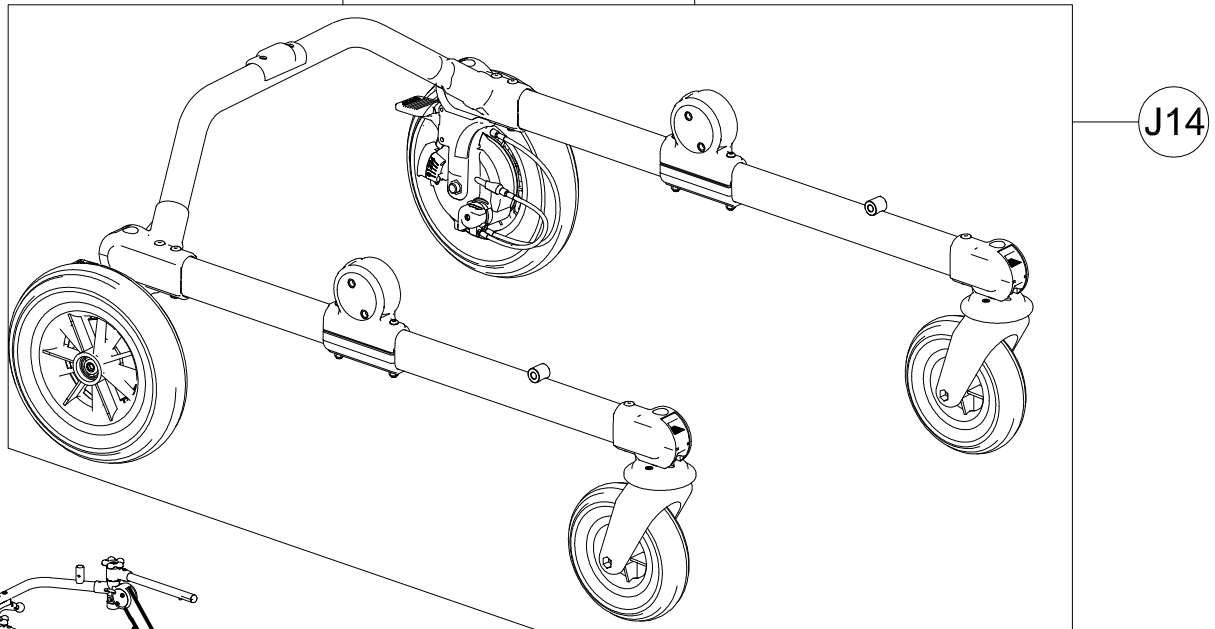
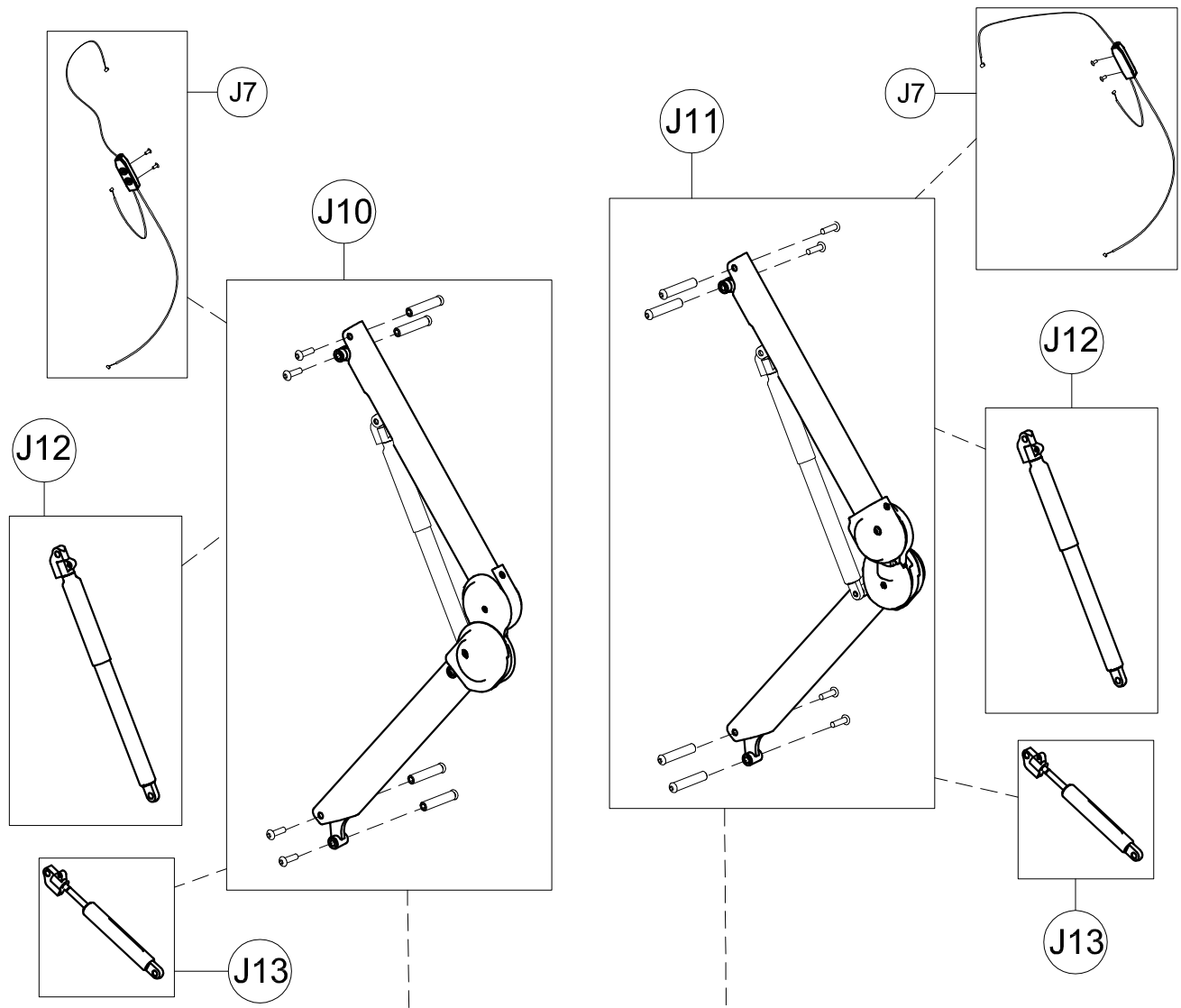
A	103641	925-L TRUNK SUPPORT
B	103637	924-L PELVIC SUPPORT
C	103633	930-L PELVIC HARNESS
D	103613	809-L ARM SUPPORT
G	102810	890-C Large LEG DIVIDER+ABDUCTOR
H	302450	RIGHT-LEFT SUPPORTS FOR 809
J	303247	POSTERIOR FRAME GRILLO Large
M	103588	927 REMOVABLE GRIP HANDLES POSTERIOR GRILLO
N	103656	928 med/large REAR WHEELS NARROW BASE
R	105605	810 M-L PAIR OF WEIGHT BARS
S	102815	890-SC Large LEG DIVIDER
T	102970	939 ERGONOMIC HANDLES
V	103616	943 M-L ARM STRAPS
POS.	PART NR.	DESCRIPTION

Spare Parts POSTERIOR GRILLO size Large



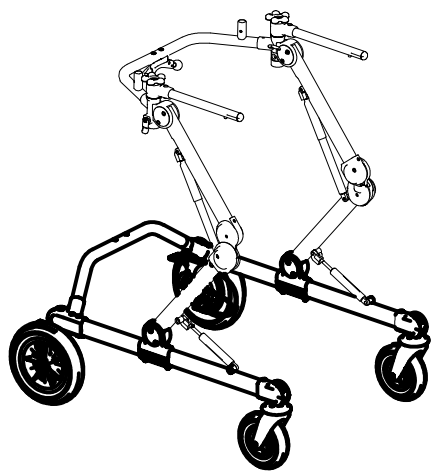
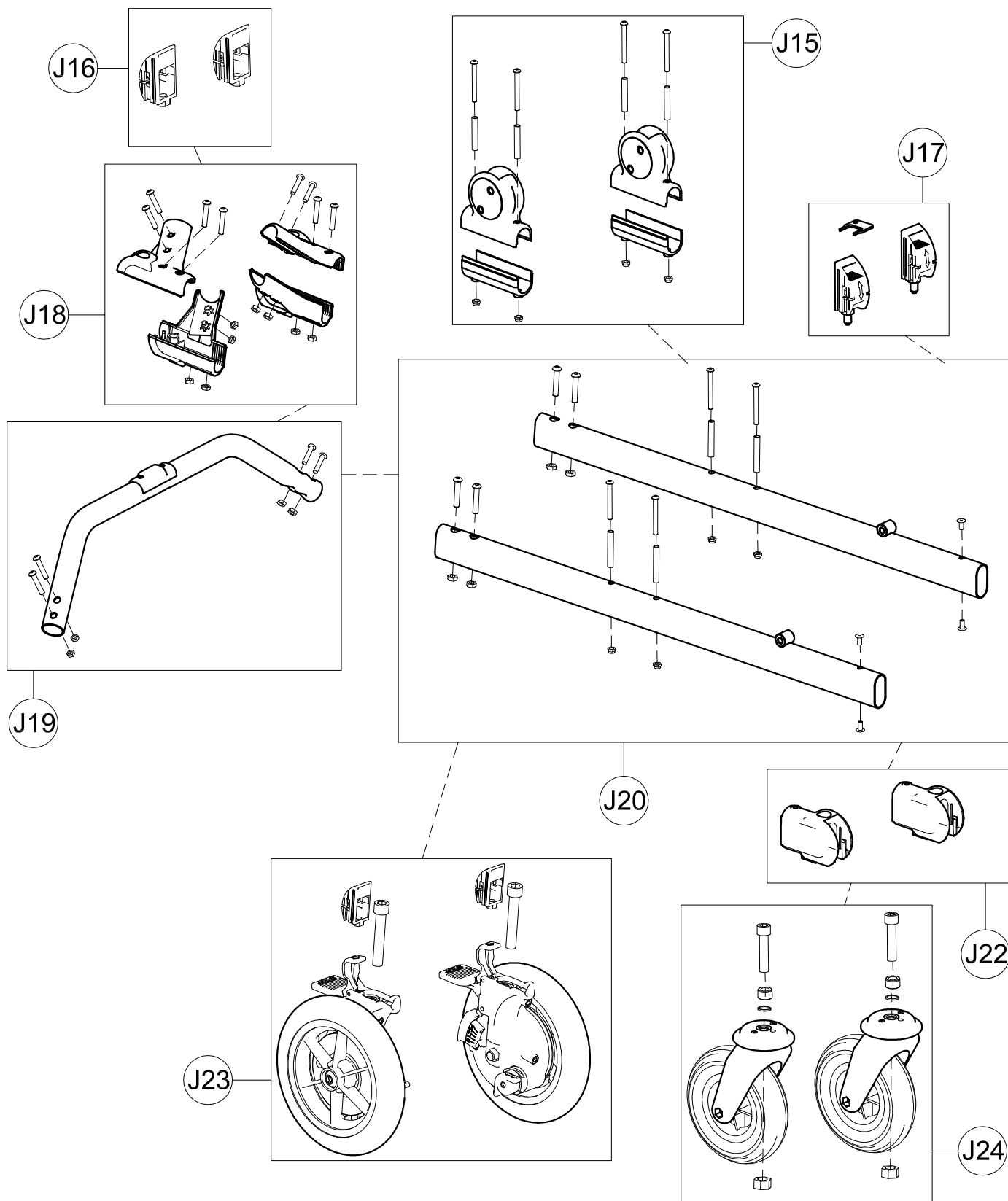
J1	301797	PAIR OF KNOBS TO FIX HORIZONT.SUPPORT.
J2	302284	PAIR OF HORIZ.BARS FOR HANDLEBAR GRILLO large
J3	303236	UPPER CROSSPIECE SUPPORT+LOCKING LEVERS
J4	302286	RIGHT UPPER CROSSPIECE SUPPORT+LOCKING LEVER
J5	302287	LEFT UPPER CROSSPIECE SUPPORT+LOCKING LEVER
J6	302288	SET OF LEVERS TO LOCK TRUNK SUPPORT VERTICALLY
J7	303406	CABLES SET+ DOUBLER
J8	302290	COMMAND SUPPORT + LEVERS AND KNOBS
J9	301808	PAIR OF KNOBS FOR GAS SPRING GRILLO
POS.	PART NR.	DESCRIPTION

**Spare Parts** UPPER PART OF POSTERIOR GRILLO BASE size Large



J7	303406	CABLES SET+ DOUBLER
J10	302293	COMPLETE LEFT SIDE
J11	302292	COMPLETE RGT SIDE
J12	302033	UPPER GAS SPRING
J13	302395	LOWER GAS SPRING
J14	303248	POSTERIOR GRILLO Large BASE + WHEELS
POS.	CODICE	DESCRIZIONE

Spare Parts POSTERIOR GRILLO SIDES size Large



J15	301812	PAIR OF UPPER/LOWER SUPPORTS OF SIDE
J16	303508	PAIR OF DIRECT.CAPS FOR WHEELS
J17	302546	PAIR OF DIRECTION LOCKS
J18	303211	KIT OF LOWER CROSSPIECE SUPPORT
J19	303239	LOWER CROSSPIECE+SCREWS
J20	303238	PAIR OF BASE SIDES
J22	303208	PAIR OF WHEEL SUPPORTS
J23	303476	PAIR OF COMPLETE REAR WHEELS
J24	303387	PAIR OF COMPLETE FRONT WHEELS
POS.	CODICE	DESCRIZIONE

Spare Parts

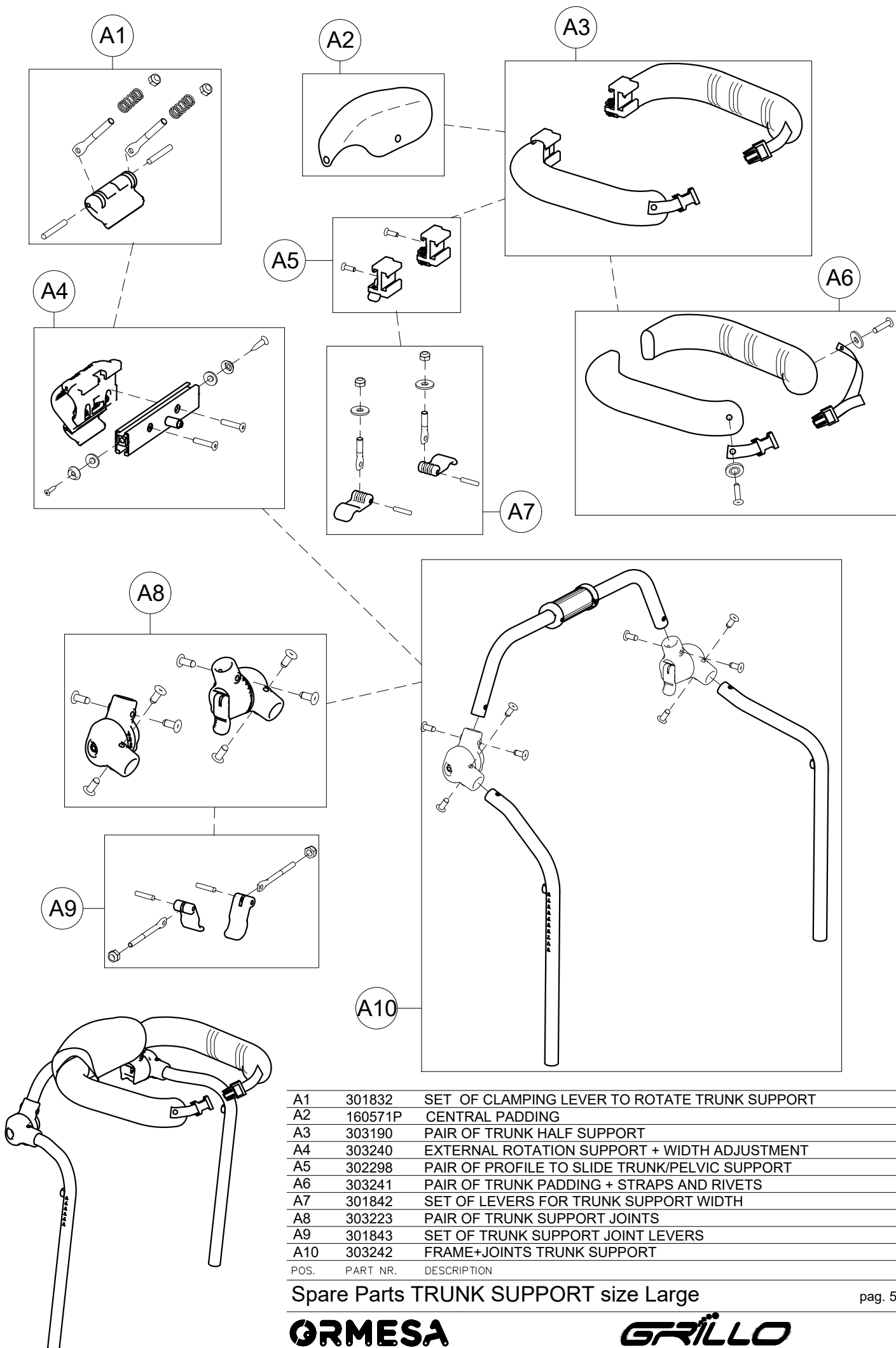
LOWER PART OF POSTERIOR  
GRILLO BASE size Large

pag. 4

**ORMESA®**

**GRILLO**

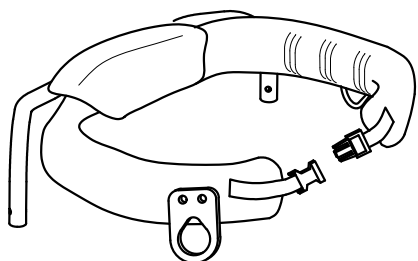
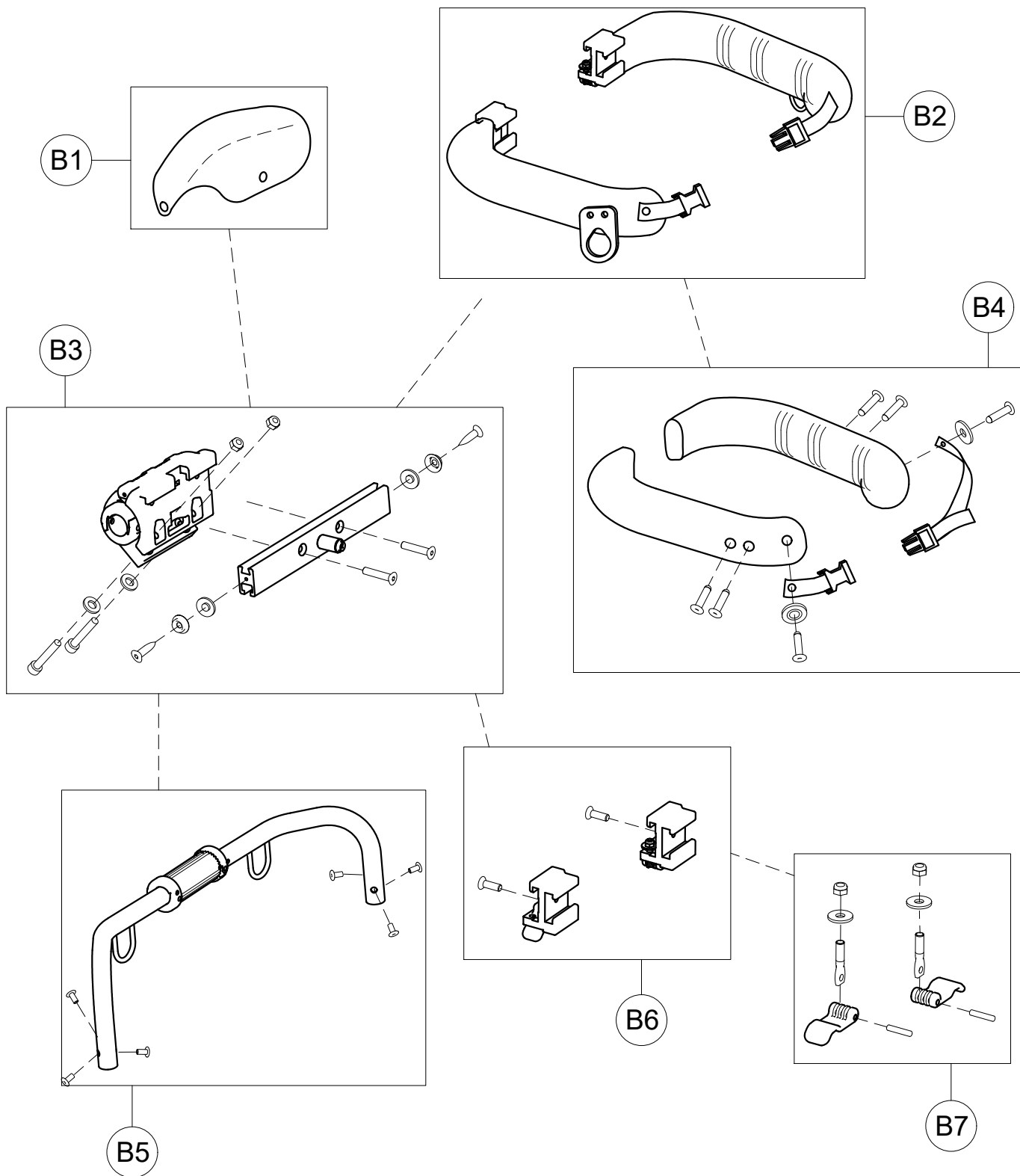
QUESTO DISEGNO È DI PROPRIETÀ ORMESA; È VIETATO RIPRODURNE, MODIFICARNE O COMUNICARNE A TERZI IL CONTENUTO



A1	301832	SET OF CLAMPING LEVER TO ROTATE TRUNK SUPPORT
A2	160571P	CENTRAL PADDING
A3	303190	PAIR OF TRUNK HALF SUPPORT
A4	303240	EXTERNAL ROTATION SUPPORT + WIDTH ADJUSTMENT
A5	302298	PAIR OF PROFILE TO SLIDE TRUNK/PELVIC SUPPORT
A6	303241	PAIR OF TRUNK PADDING + STRAPS AND RIVETS
A7	301842	SET OF LEVERS FOR TRUNK SUPPORT WIDTH
A8	303223	PAIR OF TRUNK SUPPORT JOINTS
A9	301843	SET OF TRUNK SUPPORT JOINT LEVERS
A10	303242	FRAME+JOINTS TRUNK SUPPORT

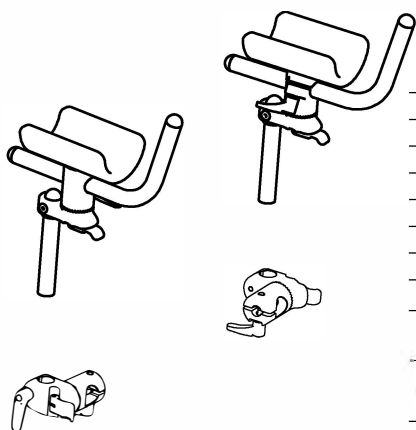
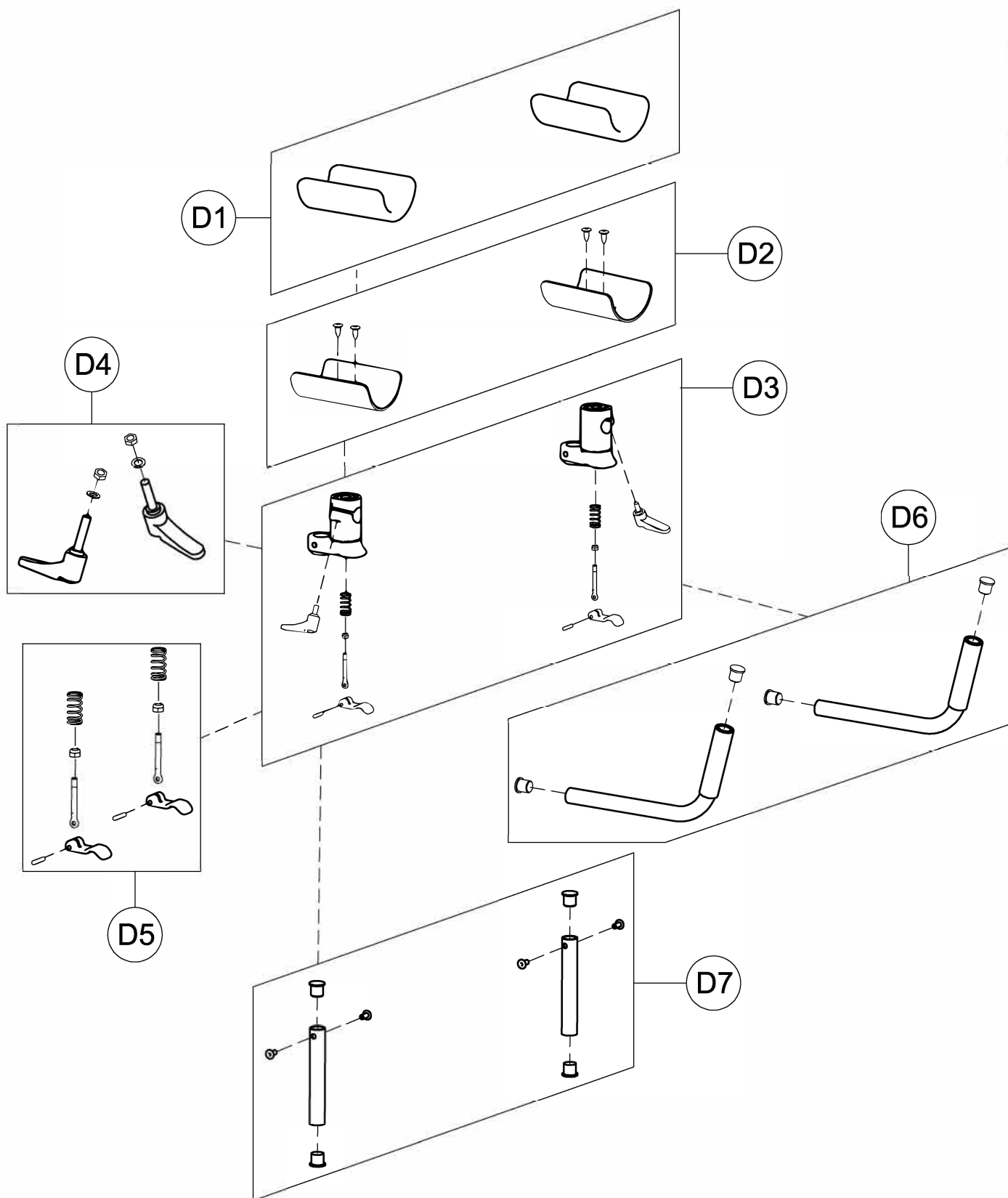
POS. PART NR. DESCRIPTION

### Spare Parts TRUNK SUPPORT size Large



B1	160571P	CENTRAL PADDING
B2	303189	PAIR OF PELVIC HALF SUPPORT
B3	303244	EXTERNAL SUPPORT + PELVIC WIDTH ADJUSTMENT
B4	303245	PAIR OF PELVIC PADDING + STRAPS AND RIVETS
B5	303246	PELVIC TRAVERSE SUPPORT
B6	302298	PAIR OF PROFILE TO SLIDE TRUNK SUPPORT
B7	301842	SET OF LEVERS FOR TRUNK SUPPORT WIDTH
POS.	PART NR.	DESCRIPTION

Spare Parts PELVIC SUPPORT size Large



D1	171254	809 medium/large ARM SUPPORT UPHOLSTERY
D2	301850	PAIR OF CURVED PLATE 809 medium/large
D3	301851	PAIR OF LOWER/UPPER TOOTHED SUPPORTS 809
D4	303108	PAIR OF M6X25 LEVERS
D5	301852	SET OF TOOTHED SUPP.LEVERS 809
D6	301853	PAIR OF HANDLEBAR BARS 809
D7	301855	PAIR OF VERT.BARS 809
POS.	CODICE	DESCRIZIONE

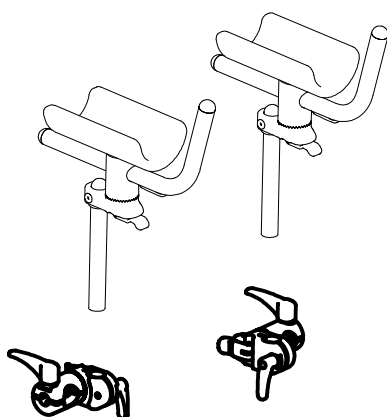
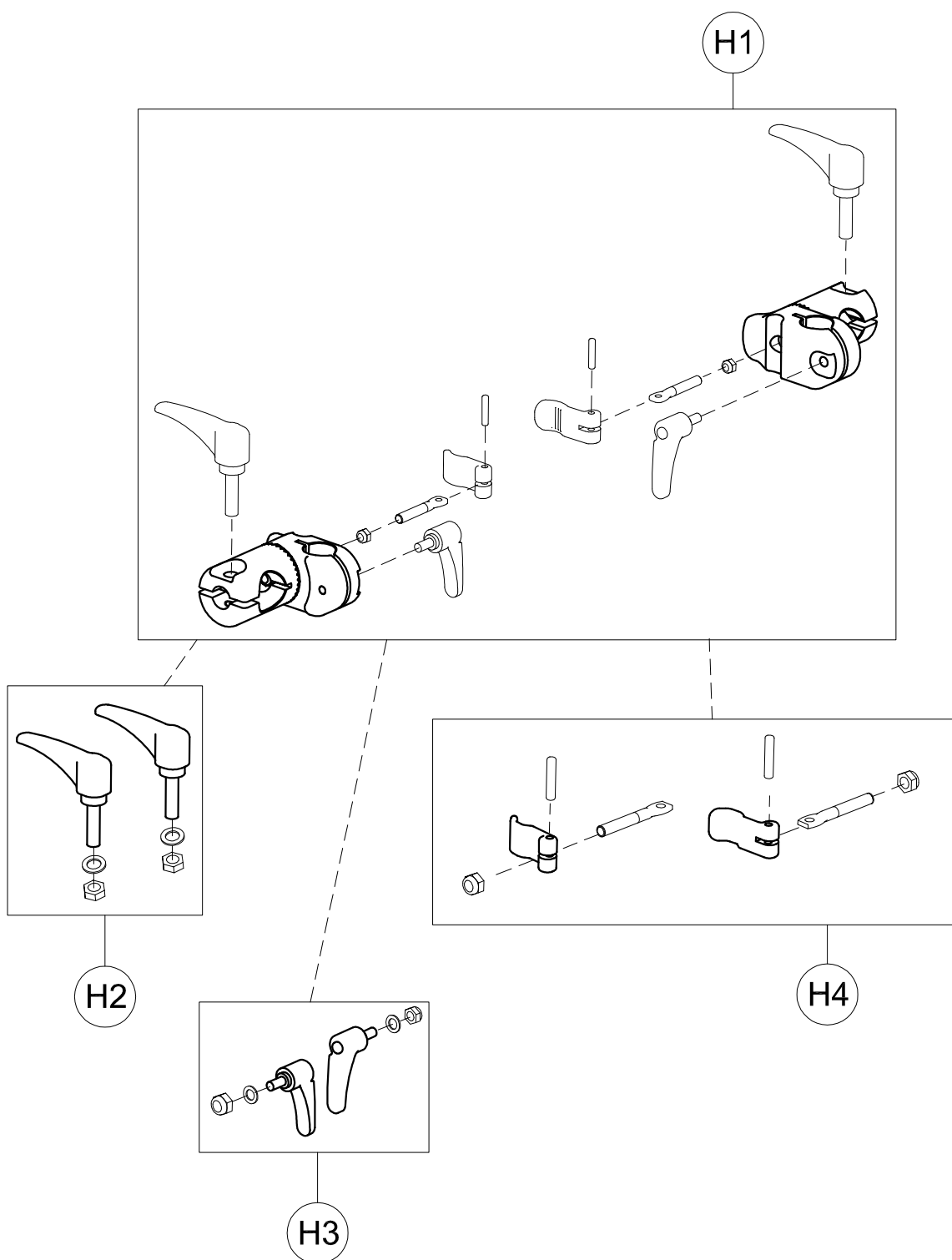
Spare Parts ARM SUPPORTS size Medium and Large

pag. 7

**ORMESA®**

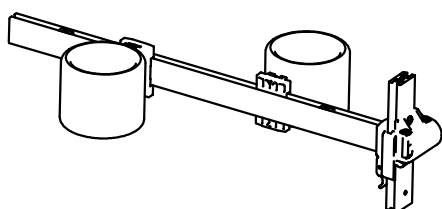
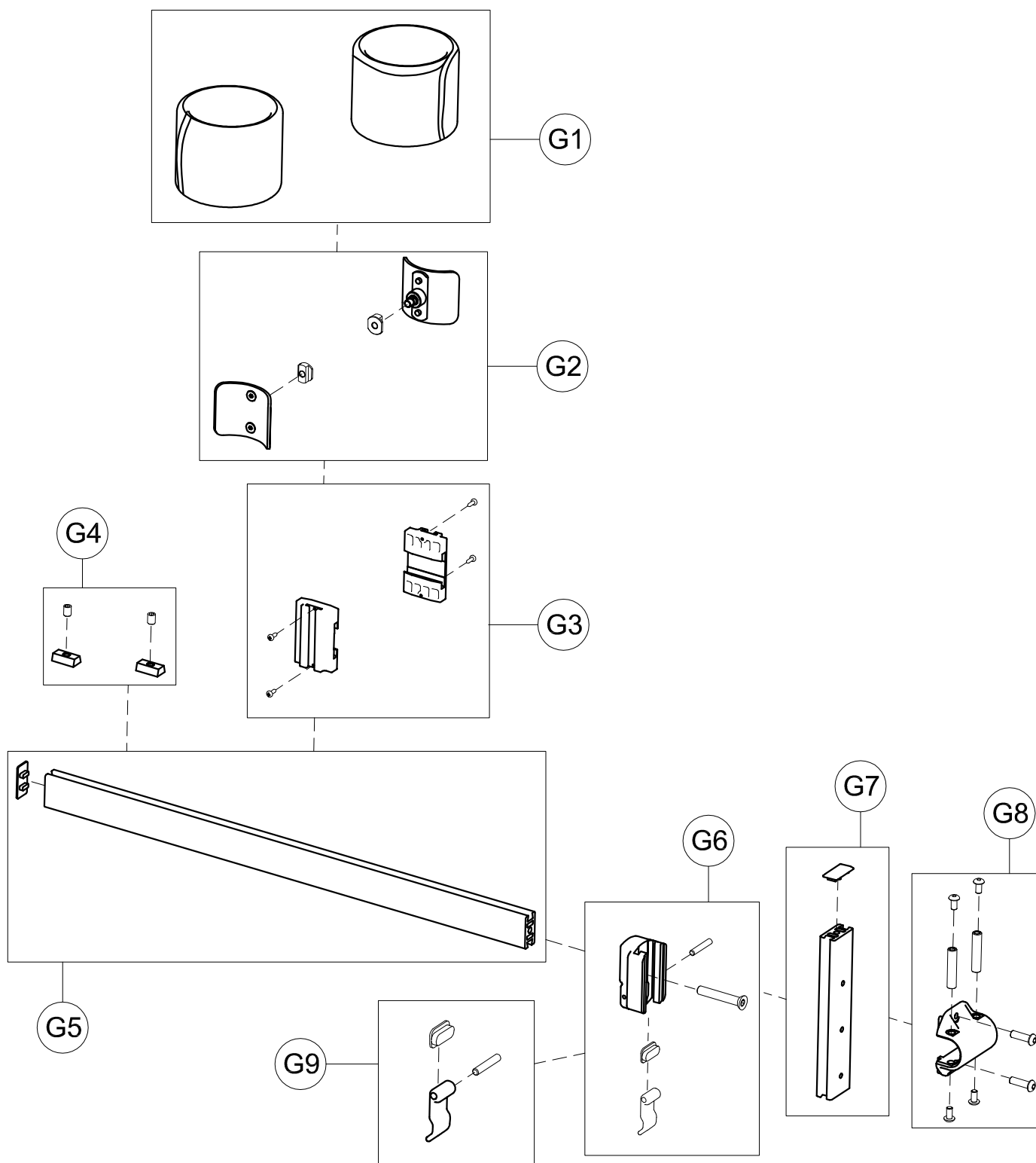
**GRILLO**

QUESTO DISEGNO È DI PROPRIETÀ ORMESA: È VIETATO RIPRODURNE, MODIFICARNE O COMUNICARNE A TERZI IL CONTENUTO



H1	302450	RGT-LEFT SUPPORTS OF 809 GRILLO
H2	301799	PAIR OF M8X35 HANDLES
H3	301800	PAIR OF M6X30 HANDLES
H4	301801	SET OF LEVERS TO LOCK THE HANDLEBAR VERTICALLY
POS.	PART NR.	DESCRIPTION

Spare Parts **ARM SUPPORT JOINT FOR POSTERIOR GRILLO**  
size Small, Medium and Large



G1	171535	890 large(5) UPHOLSTERY for GRILLO
G2	302933	PAIR OF CURVED PLATE 890 large(5) GRILLO
G3	301858	PAIR OF ABDUCT.SLIDING PROFILE GRILLO
G4	301859	PAIR OF ABDUCT. 890 STOP GRILLO
G5	302304	HORIZONTAL BAR 890 large(5) + CAP GRILLO
G6	301862	890 FIXING BAR +LEVER/SCREWS
G7	303232	890 VERTICAL BAR + CAP
G8	303233	FIXING LOCK 890 + SCREWS
G9	301866	SET OF HEIGHT ADJUST.LEVER 890 GRILLO
POS.	PART NR.	DESCRIPTION

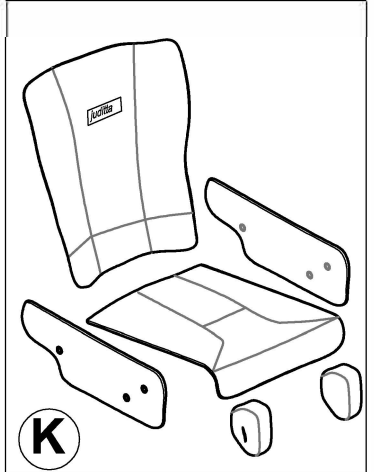
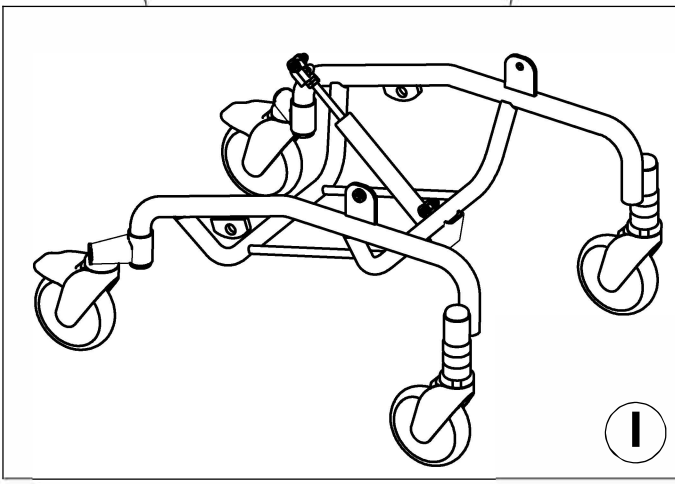
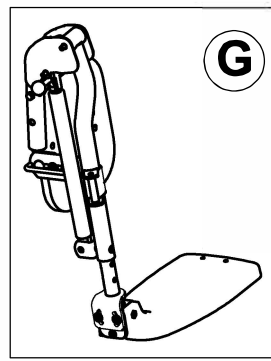
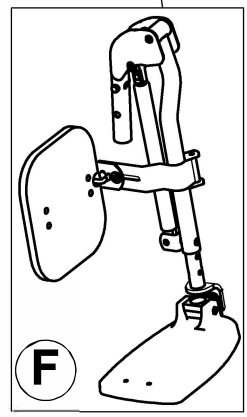
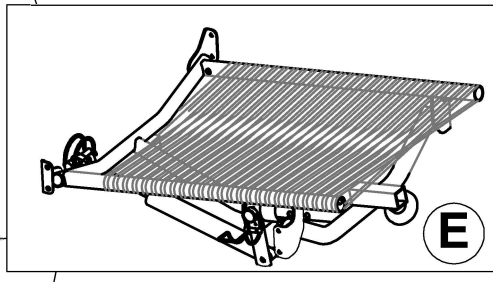
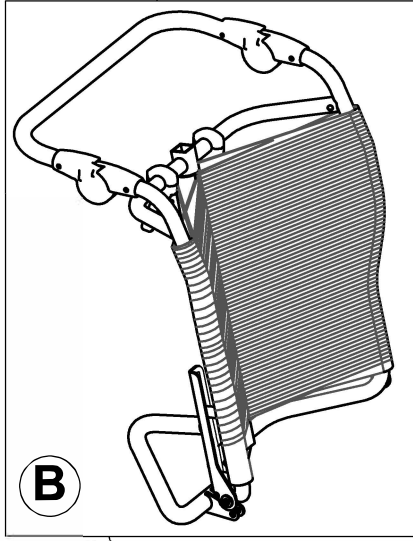
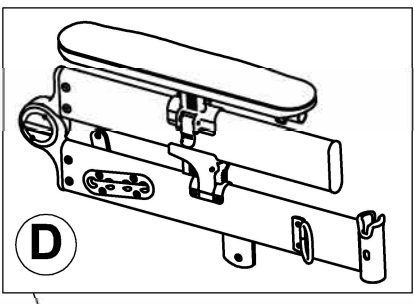
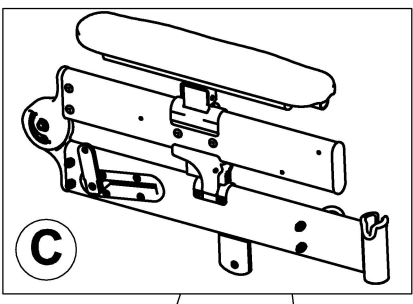
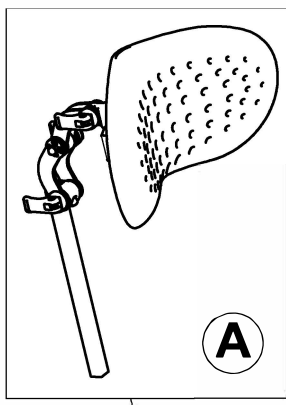
Spare Parts LEG DIVIDER+ABDUCTORS size Large

pag. 9

**ORMESA®**

**GRILLO**

THIS DRAWING BELONGS TO ORMESA: IT IS FORBIDDEN TO REPRODUCE, CHANGE OR INFORM ANY THIRD PARTY ABOUT ITS CONTENTS

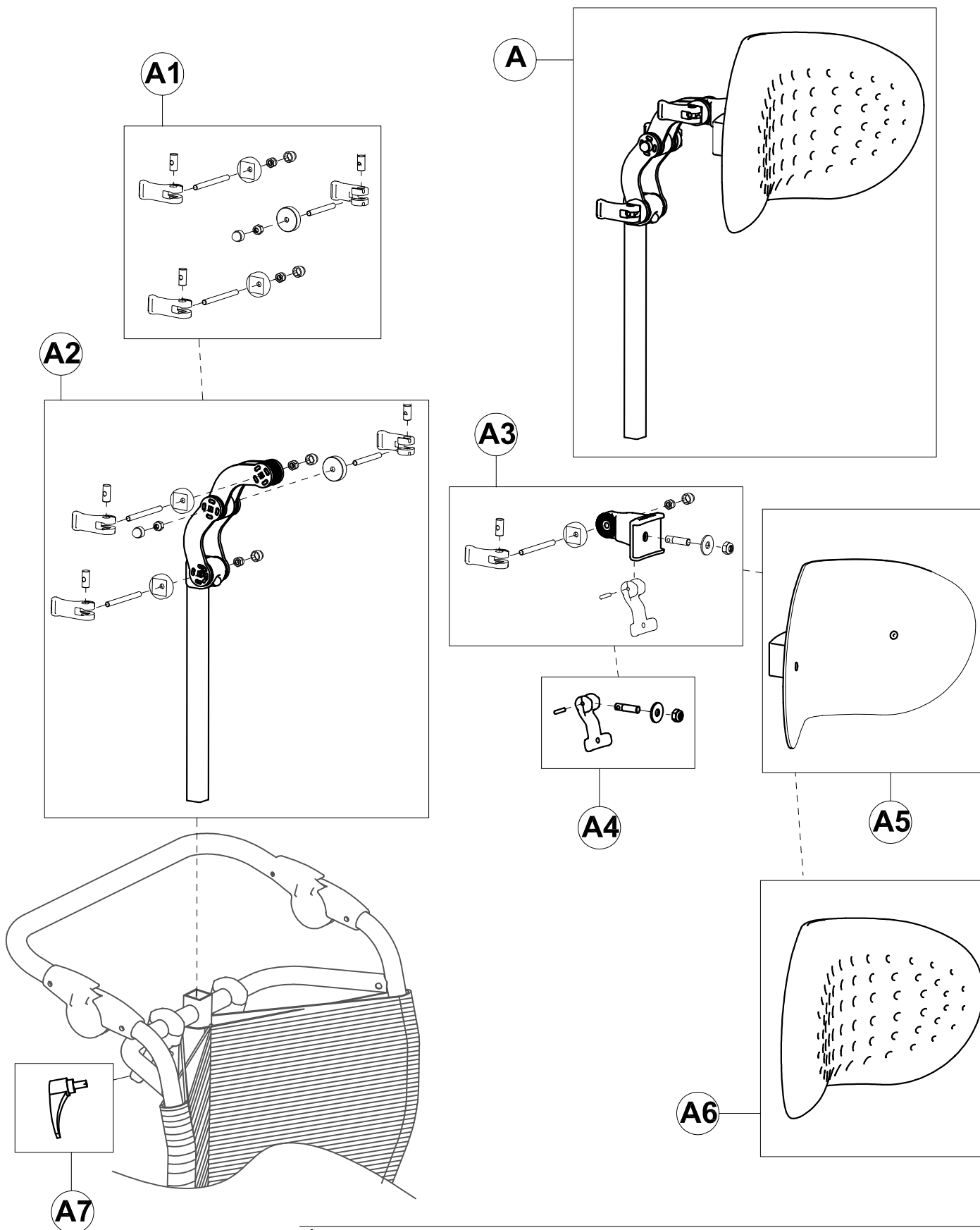


A	302970	COMPLETE HEADREST	
B	303129	COMPLETE BACKREST size-40 ( WHITE )	/ 303129N ( BLACK )
C	302530	LEFT SIDE AND ARM SUPPORT ( WHITE )	/ 302530N ( BLACK )
D	302529	RIGHT SIDE AND ARM SUPPORT ( WHITE )	/ 302529N ( BLACK )
E	302531	COMPLETE SEAT size-40 ( WHITE )	/ 302531N ( BLACK )
F	302521	LEFT LEGREST size-40	
G	302457	RIGHT LEGREST size-40	
I	302518	BASE WITH WHEELS size-40 B12 ( WHITE )	/ 302518N ( BLACK )
K	171659	LIGHT GREY UPHOLSTERY SIZE-40	
K	171658	DARK GREY UPHOLSTERY SIZE 40	

POS. PART NR. DESCRIPTION PART NR for BLACK JUDITTA

Spare Parts JUDITTA B12 size 36-40





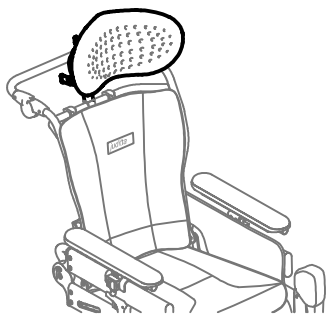
A	302970	COMPLETE HEADREST
A1	303257	HEADREST KNOB + JOINT SCREW
A2	303258	HEADREST VERTICAL FRAME WITH JOINT
A3	303259	HEADREST JOINT ATTACK WITH LEVER
A4	303260	HEADREST SLIDING LEVER
A5	302609	HEADREST SHEET METALE
A6	16486	HEADREST ANTIBACTERIAL COATING
A7	14066	ADJUSTABLE HANDLE
POS.	PART NR.	DESCRIPTION

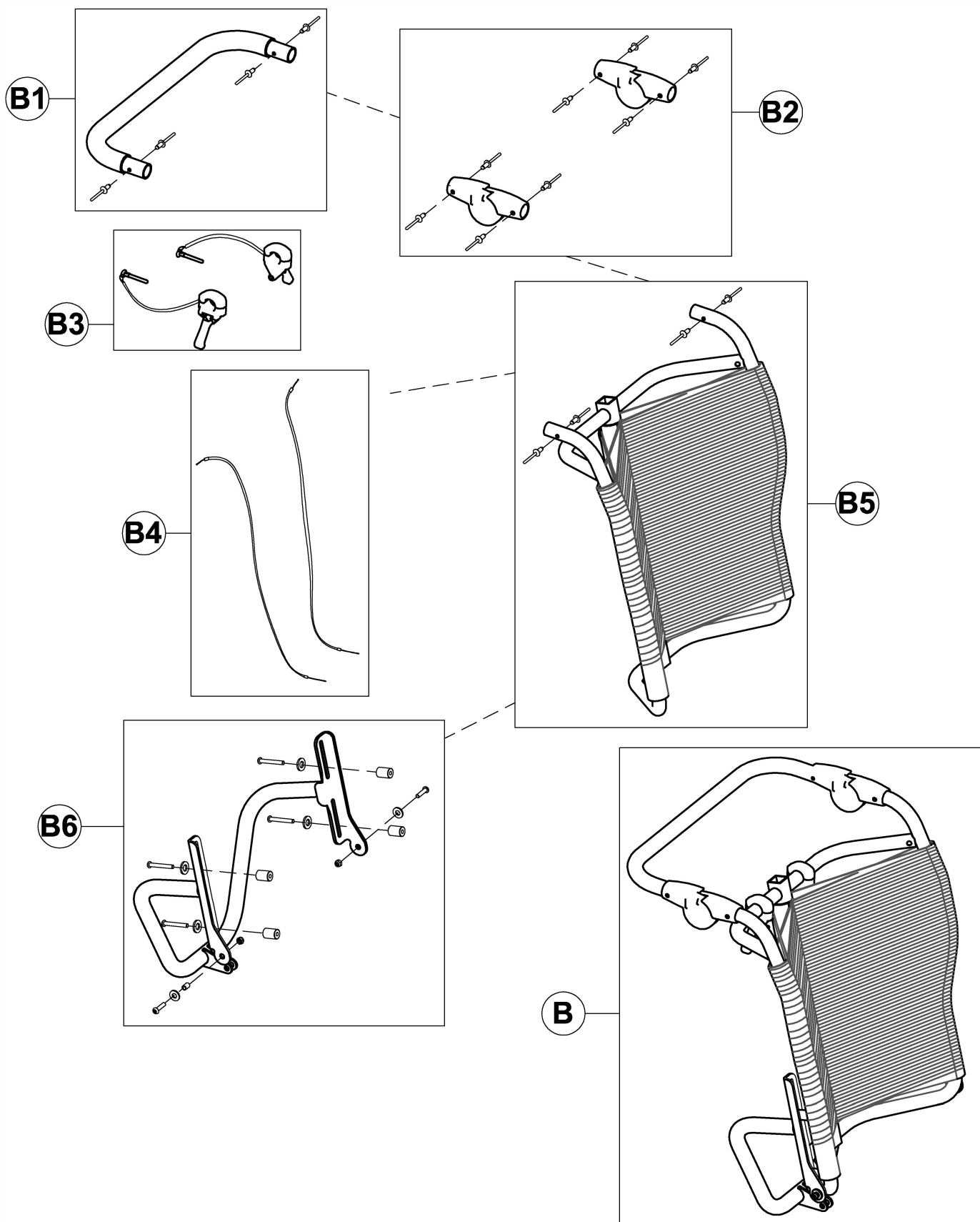
### Spare Parts HEADREST

**ORMEDA**

THIS DRAWING BELONGS TO ORMESA: IT IS FORBIDDEN TO REPRODUCE, CHANGE OR INFORM ANY THIRD PARTY ABOUT ITS CONTENTS

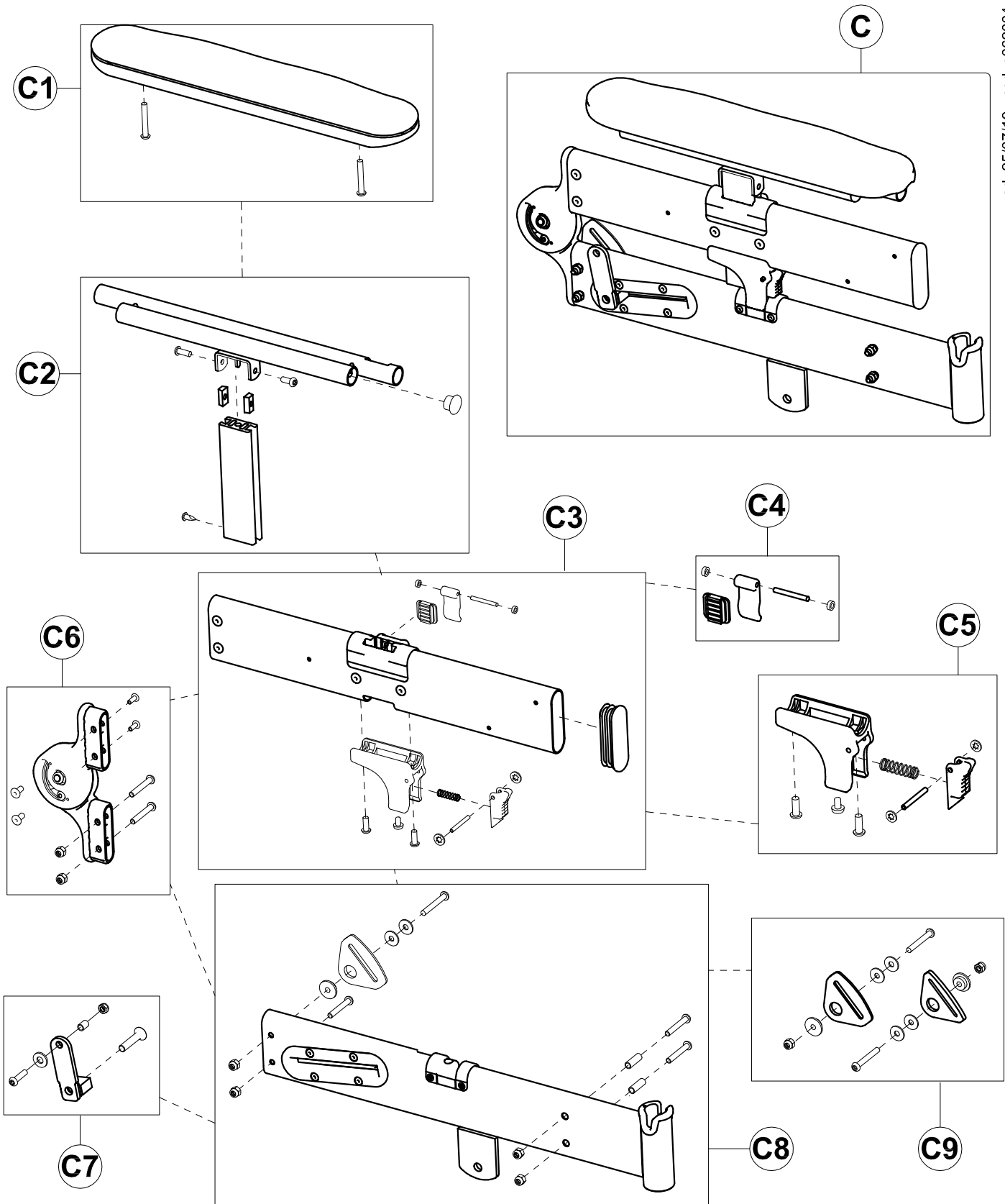
*Juditta*





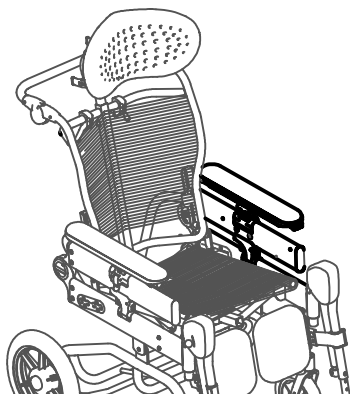
B	303129	COMPLETE BACKREST size-40 ( WHITE )	/ 303129N (BLACK)
B1	302550	COMPLETE PUSH HANDLE size-40	
B2	302553	PAIR OF PUSH HANDLE JOINTS WITH RIVET	
B3	302616	PAIR OF CONTROL LEVERS	
B4	302617	PAIR OF CONTROL CABLES	
B5	303126	BACKREST FRAME +ROPE size-40	/ 303126N (BLACK)
B6	302554	BACKREST SLIDING FRAME size-40	
POS.	PART NR.	DESCRIPTION	PART NR for BLACK JUDITTA

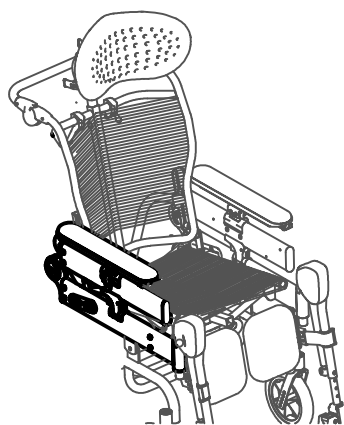
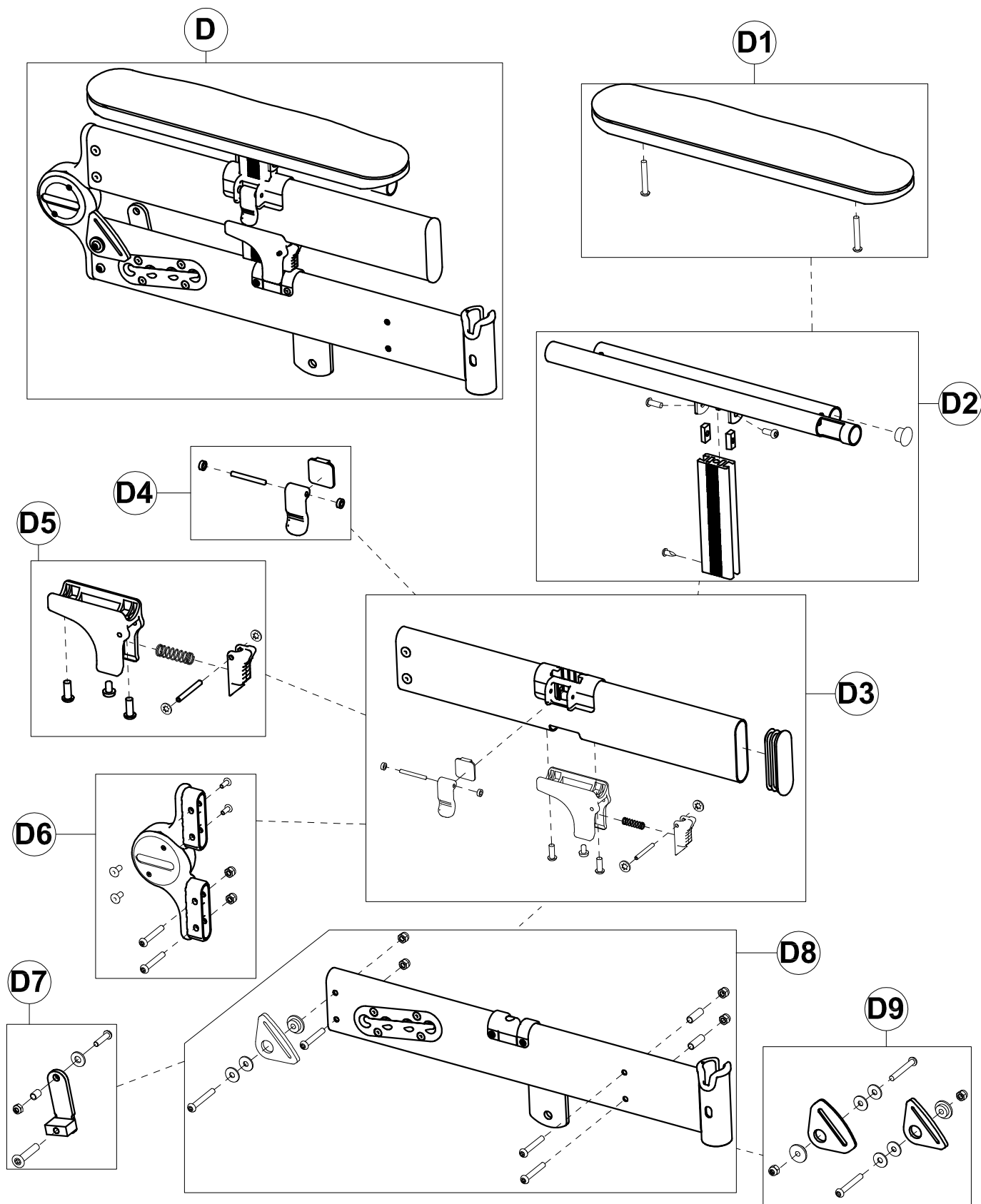
### Spare Parts BACKREST size 36-40



C	302530	LEFT SIDE AND ARM SUPPORT ( WHITE )	/ 302530N (BLACK)
C1	301124	PADDED ARM SUPPORT + SCREWS	
C2	302558	COMPLETE LEFT ARM SUPPORT FRAME	
C3	302560	COMPL. UPPER LEFT SIDE SUPPORT ( WHITE )	/ 302560N (BLACK)
C4	302562	ARM LOCKING LEVER KIT	
C5	302563	UPPER SIDE LOCKING LEVER KIT	
C6	302564	COMPLETE LEFT SIDES HINGE	
C7	302566	HINGE PLATE /BACKREST CURSOR	
C8	302567	COMPL. LOWER LEFT SIDE SUPPORT ( WHITE )	/ 302567N (BLACK)
C9	302850	PAIR OF BUCKLES OF THE 45°PELVIC HARNESS	
POS.	PART NR.	DESCRIPTION	PART NR for BLACK JUDITTA

Spare Parts LEFT SIDE and ARM SUPPORT





D	302529	RIGHT SIDE AND ARM SUPPORT ( WHITE )	/ 302529N ( BLACK )
D1	301124	PADDED ARM SUPPORT + SCREWS	
D2	302559	COMPLETE RIGHT ARM SUPPORT FRAME	
D3	302561	COMPL. UPPER RIGHT SIDE SUPPORT ( WHITE )	/ 302561N ( BLACK )
D4	302562	ARM LOCKING LEVER KIT	
D5	302563	UPPER SIDE LOCKING LEVER KIT	
D6	302565	COMPLETE RIGHT SIDES HINGE	
D7	302566	HINGE PLATE /BACKREST CURSOR	
D8	302568	COMPL. LOWER RIGHT SIDE SUPPORT ( WHITE )	/ 302568N ( BLACK )
D9	302850	PAIR OF BUCKLES OF THE 45°PELVIC HARNESS	

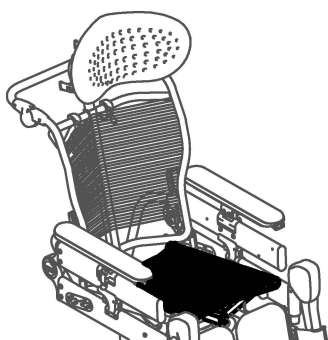
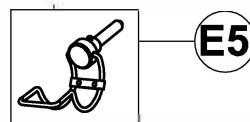
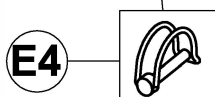
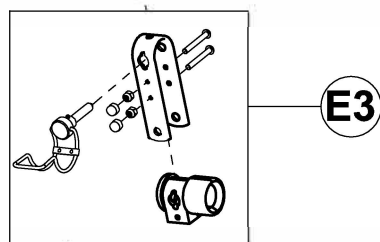
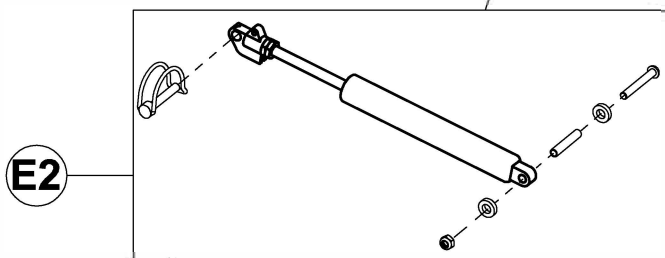
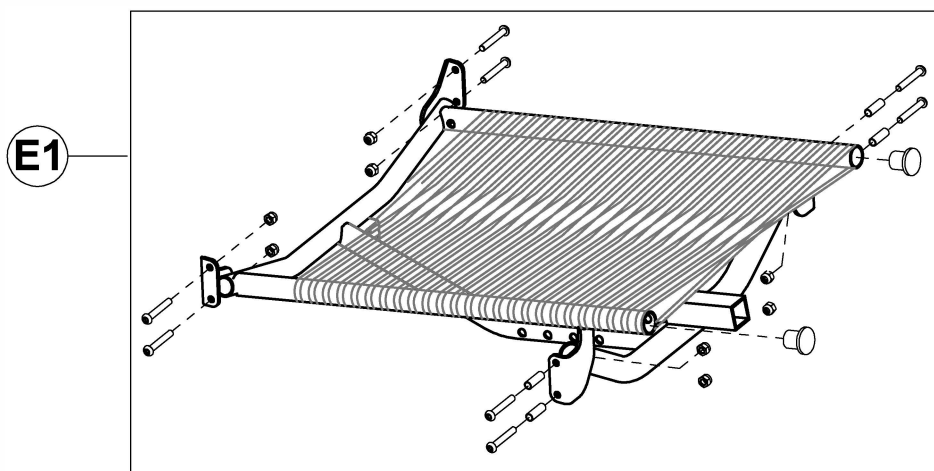
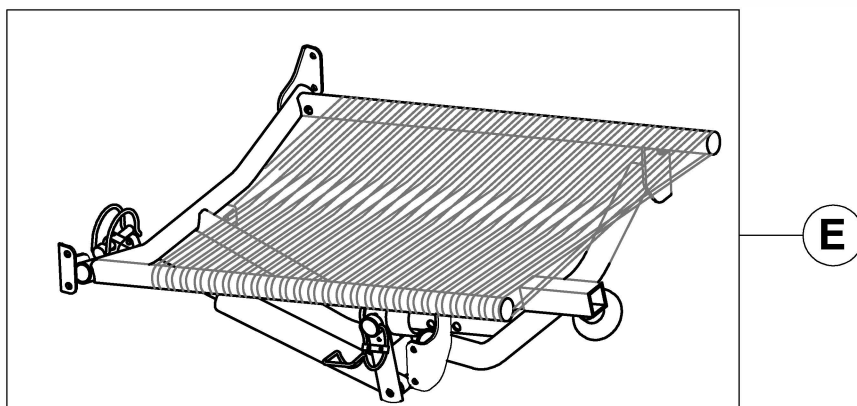
POS. PART NR. DESCRIPTION PART NR for BLACK JUDITTA

## Spare Parts RIGHT SIDE and ARM SUPPORT

pag. 5

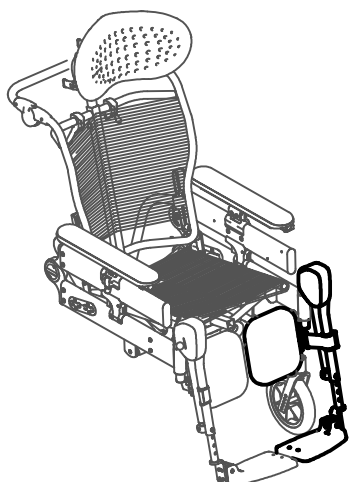
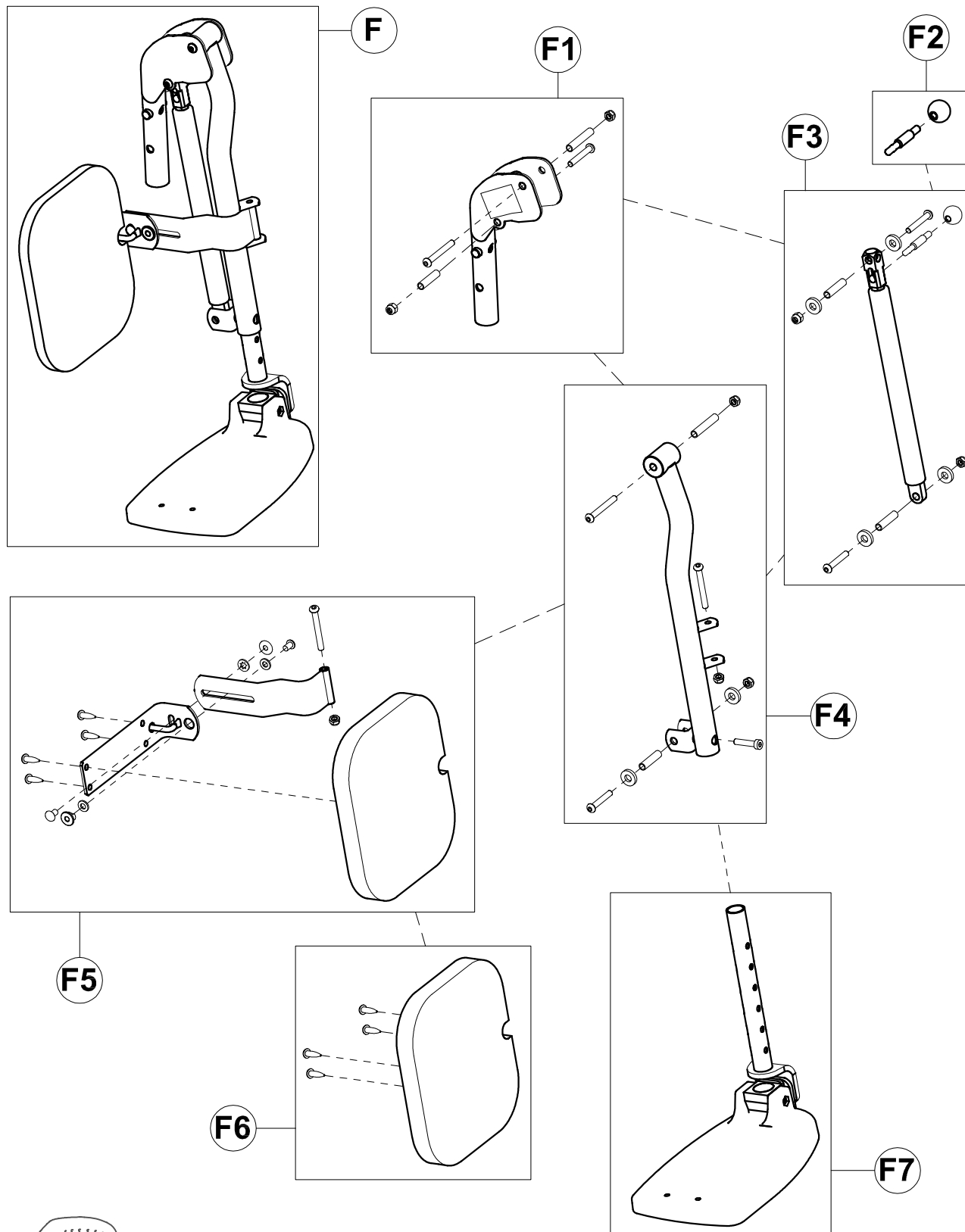
**ORMESA**

*Juditta*



E	302531	COMPLETE SEAT size-40 (WHITE)	/ 302531N (BLACK)
E1	302738	SEAT FRAME +ROPE size-40	/ 302741N (BLACK)
E2	302569	BACKREST GAS SPRING + SCREWS	
E3	302570	GAS SPRING SLIDING FORK	
E4	20761	GAS SPRING SAFETY PIN	
E5	302482	GAS SPRING ADJUSTING PIN	
POS.	PART NR.	DESCRIPTION	PART NR for BLACK JUDITTA

### Spare Parts SEAT size 36-40



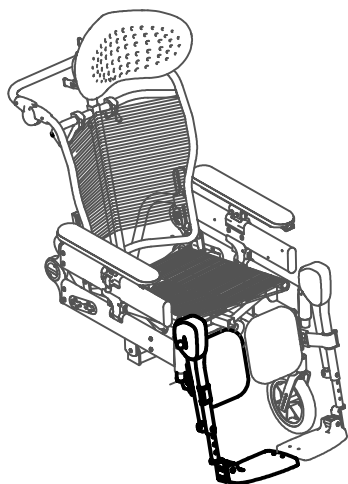
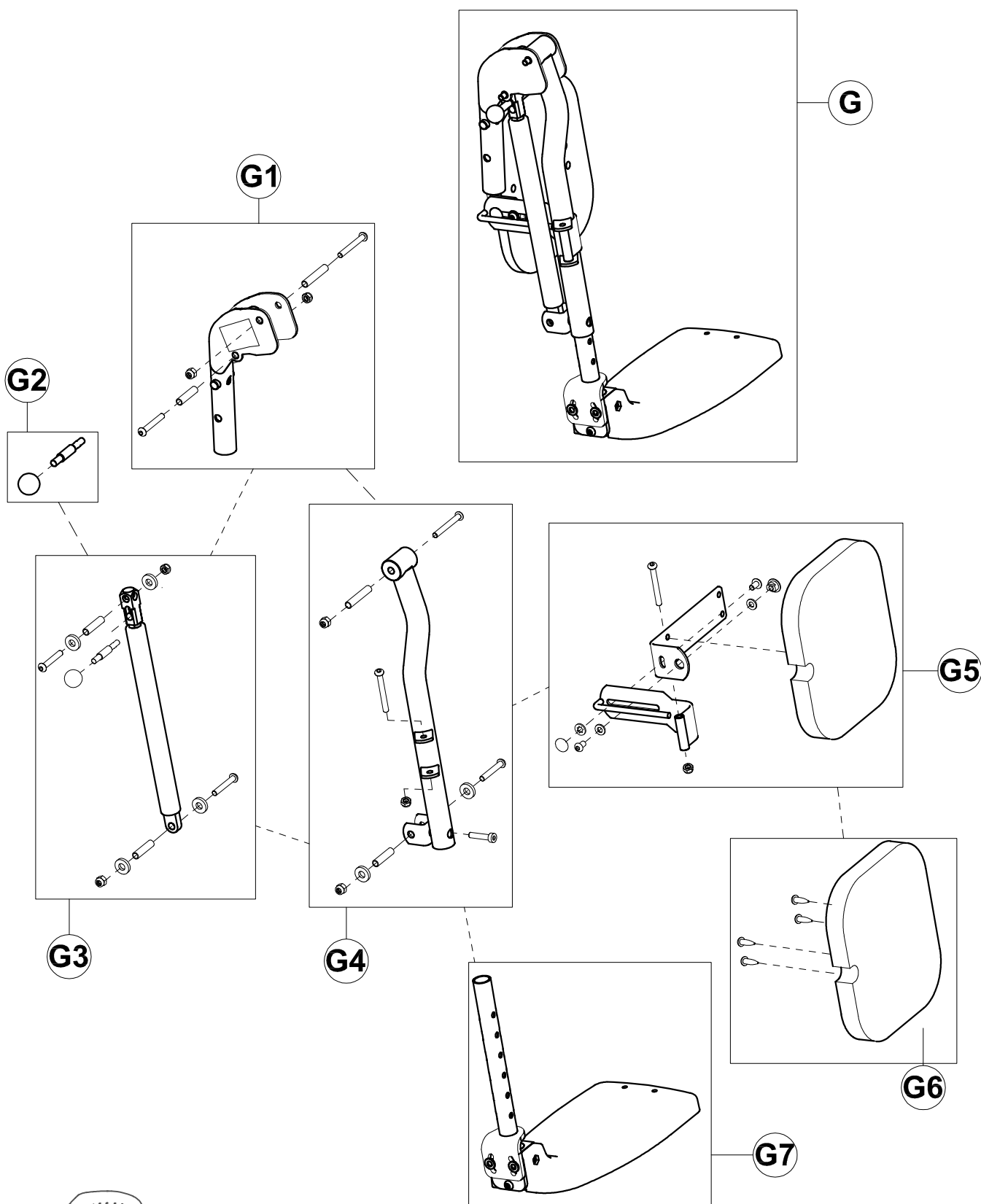
F	302521	LEFT LEGREST size-40
F1	302572	LEGREST JOINT
F2	302573	KNOB+LEVER for LEGREST GAS SPRING
F3	302578	LEGREST GAS SPRING + SCREWS
F4	302574	LEFT LEGREST FRAME + SCREWS
F5	302575S	LEFT CALFREST+ FRAME size-40
F6	302579S	LEFT CALFREST (UPHOLSTERY+ SCREWS) size-40
F7	302582	LEFT FOOTREST+ VERTICAL BAR size-40
POS.	PART NR.	DESCRIPTION

### Spare Parts LEFT LEGREST size-40

**ORMEDA**

THIS DRAWING BELONGS TO ORMESA: IT IS FORBIDDEN TO REPRODUCE, CHANGE OR INFORM ANY THIRD PARTY ABOUT ITS CONTENTS

*Juditta*



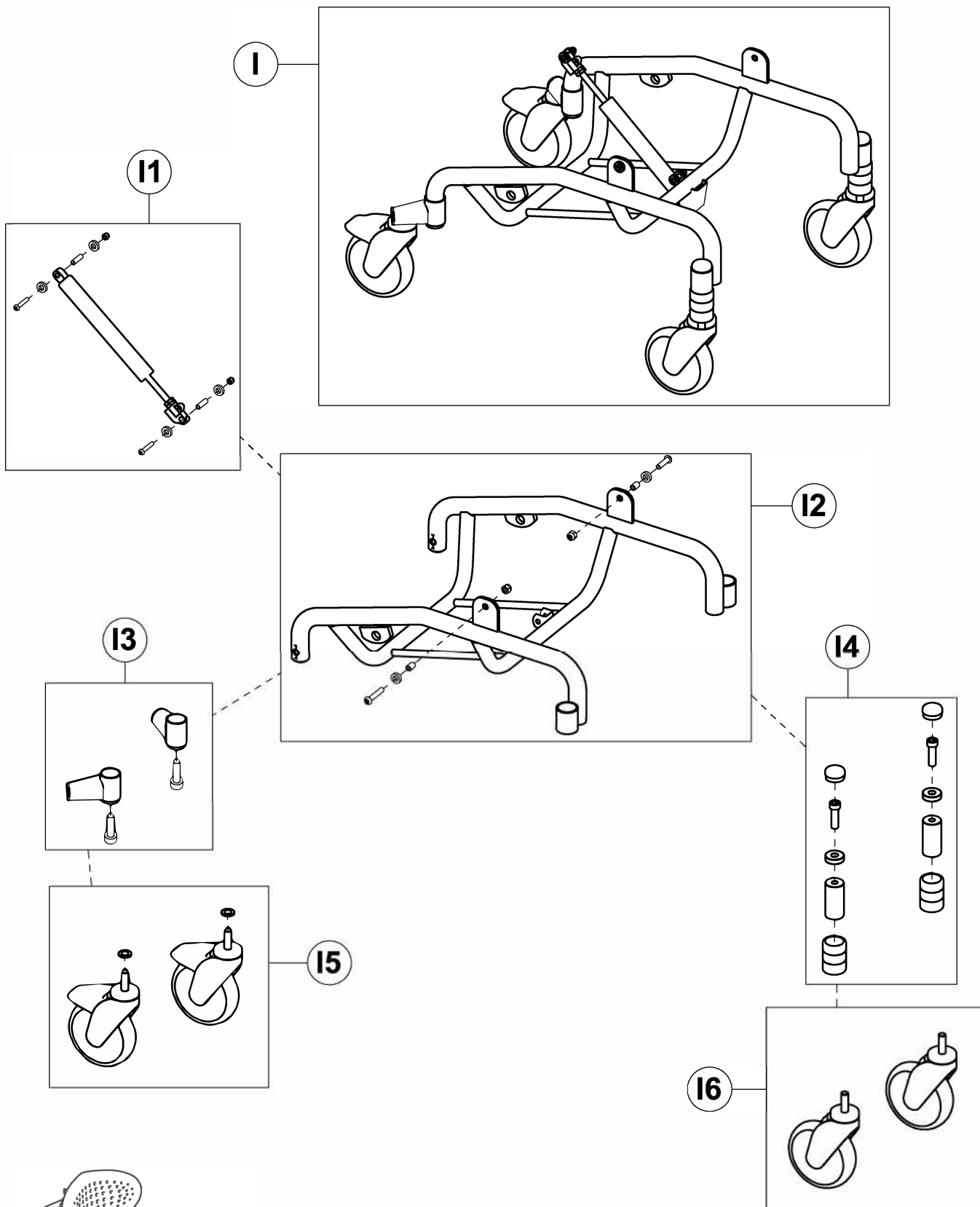
G	302457	RIGHT LEGREST size-40
G1	302572	LEGREST JOINT
G2	302573	KNOB+LEVER for LEGREST GAS SPRING
G3	302578	LEGREST GAS SPRING + SCREWS
G4	302588	RIGHT LEGREST FRAME + SCREWS
G5	302575	RIGHT CALFREST+ FRAME size-40
G6	302579	RIGHT CALFREST (UPHOLSTERY+ SCREWS) size-40
G7	302583	RIGHT FOOTREST+ VERTICAL BAR size-40
POS.	PART NR.	DESCRIPTION

**Spare Parts RIGHT LEGREST size-40**

**ORMEDA**

THIS DRAWING BELONGS TO ORMESA: IT IS FORBIDDEN TO REPRODUCE, CHANGE OR INFORM ANY THIRD PARTY ABOUT ITS CONTENTS

*Juditta*



1	302518	BASE WITH WHEELS size-40 B12 ( WHITE )	/ 302518N (BLACK)
11	302589	TILTING GAS SPRING + SCREW	
12	302594	BASE FRAME + SCREWS size-40 ( WHITE )	/ 302594N (BLACK)
13	302600	B12 WHEEL HUBS	
14	302601	LEFT-RIGHT SUPPORTS KIT OF THE FRONT WHEELS	
15	302038	B12 REAR WHEELS	
16	302039	B12 FRONT WHEELS	
POS.	PART NR.	DESCRIPTION	PART NR for BLACK JUDITTA

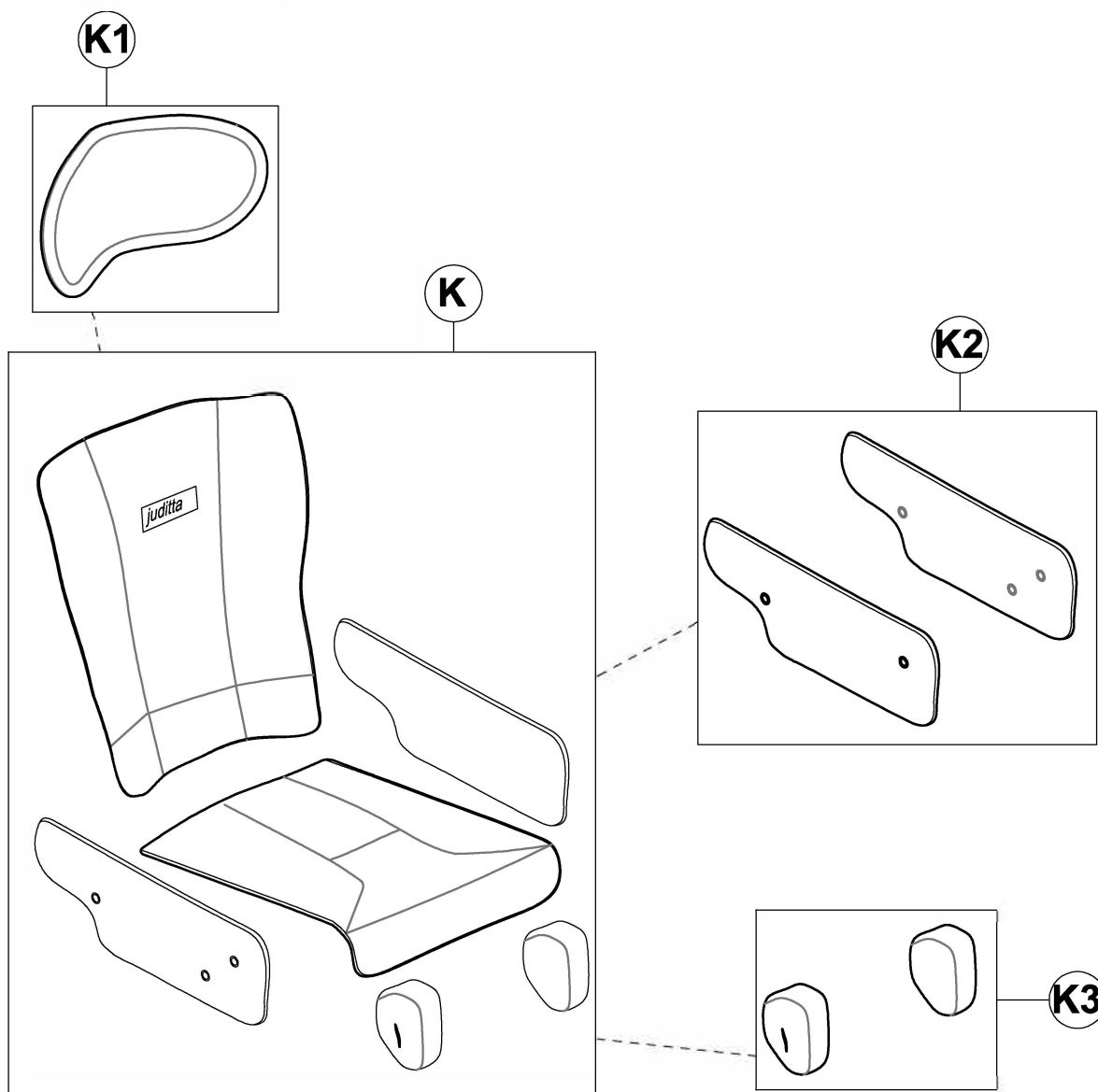
Spare Parts BASE WITH WHEELS size 36-40 B12

pag. 9

**ORMEDA**

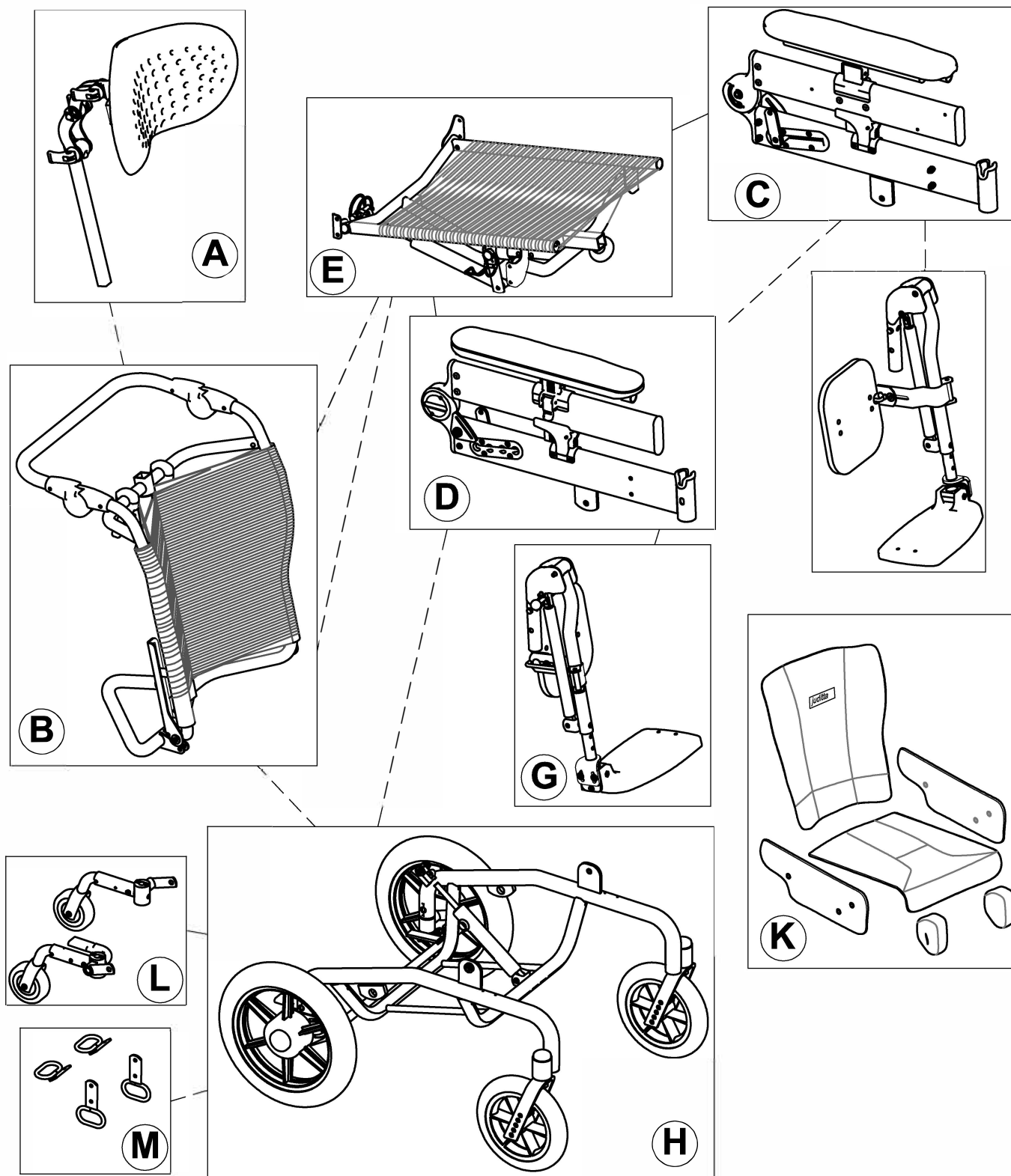
**Juditta**

THIS DRAWING BELONGS TO ORMEDA: IT IS FORBIDDEN TO REPRODUCE, CHANGE OR INFORM ANY THIRD PARTY ABOUT ITS CONTENTS



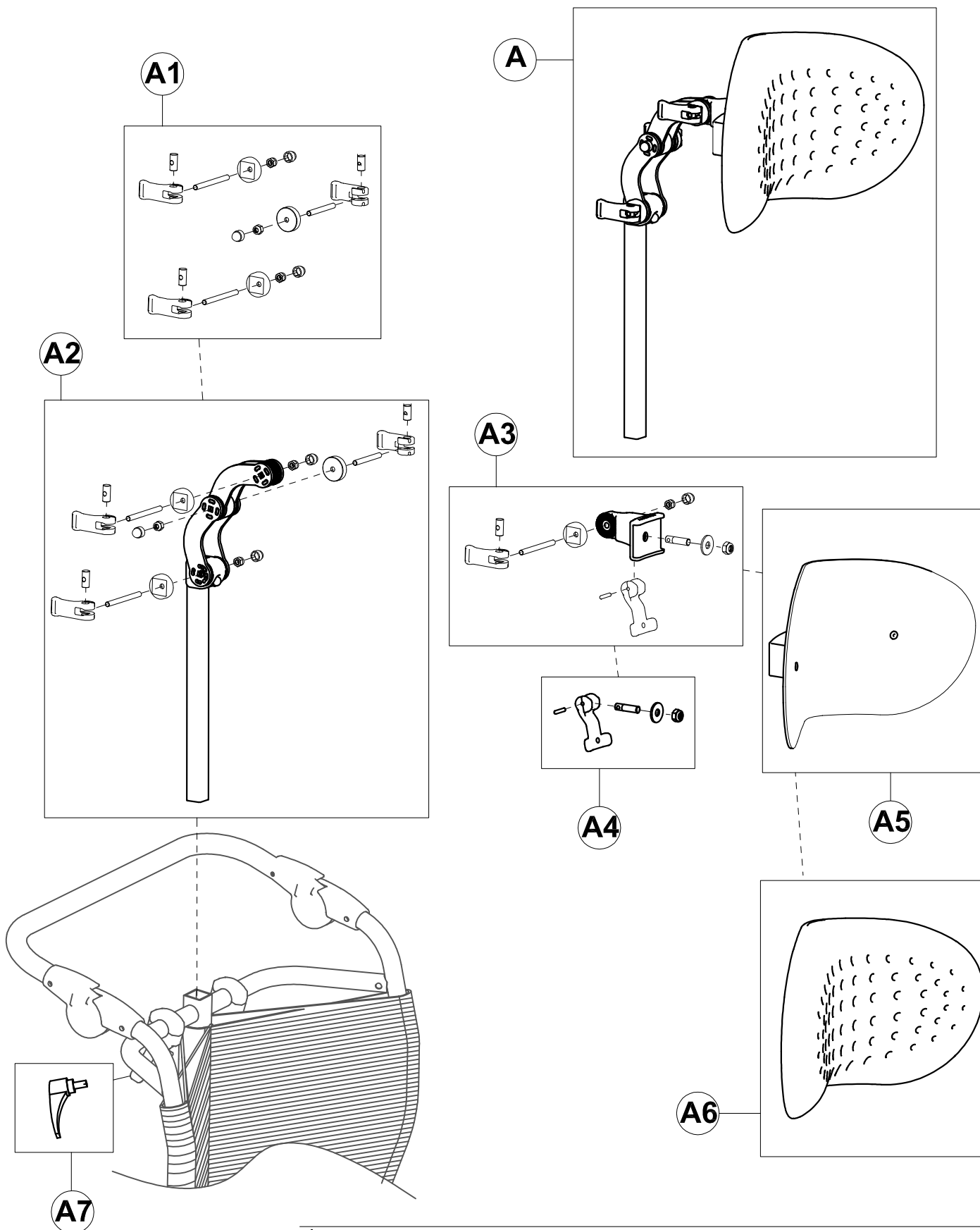
	171659	LIGHT GREY UPHOLSTERY SIZE-40
K	171658	DARK GREY UPHOLSTERY SIZE 40
	100768	938-36 UPHOLSTERY (WATERPROOF)
	100769	938-40 UPHOLSTERY (WATERPROOF)
	100127	936 JUDITTA HEADREST COVER LIGHT GREY
K1	100126	936 JUDITTA HEADREST COVER DARK GREY
	100121M	936 JUDITTA HEADREST COVER (WATERPROOF)
K2	171462	UPHOLSTERY SIDES size-36
	171470	UPHOLSTERY SIDES size-40-45-50
K3	171461	UPHOLSTERY LEGREST HINGE
POS.	PART NR.	DESCRIPTION

**Spare Parts UPHOLSTERY size 36-40**



A	302970	COMPLETE HEADREST	
B	303129	COMPLETE BACKREST size-40 ( WHITE )	/ 303129N (BLACK)
C	302530	LEFT SIDE AND ARM SUPPORT ( WHITE )	/ 302530N (BLACK)
D	302529	RIGHT SIDE AND ARM SUPPORT ( WHITE )	/ 302529N (BLACK)
E	302531	COMPLETE SEAT size-40 ( WHITE )	/ 302531N (BLACK)
F	302521	LEFT LEGREST size-40	
G	302457	RIGHT LEGREST size-40	
H	303132	BASE WITH WHEELS size-40 B30 ( WHITE )	/ 303132N (BLACK)
K	171659	LIGHT GREY UPHOLSTERY SIZE-40	
	171658	DARK GREY UPHOLSTERY SIZE 40	
L	102994	932 ANTI TIP DEVICE JUDITTA B30	
M	102978	891- SET OF 4 TIE DOWN HOOKS	
POS.	PART NR.	DESCRIPTION	PART NR for BLACK JUDITTA

### Spare Parts JUDITTA B30 size 36-40



A	302970	COMPLETE HEADREST
A1	303257	HEADREST KNOB + JOINT SCREW
A2	303258	HEADREST VERTICAL FRAME WITH JOINT
A3	303259	HEADREST JOINT ATTACK WITH LEVER
A4	303260	HEADREST SLIDING LEVER
A5	302609	HEADREST SHEET METALE
A6	16486	HEADREST ANTIBACTERIAL COATING
A7	14066	ADJUSTABLE HANDLE
POS.	PART NR.	DESCRIPTION

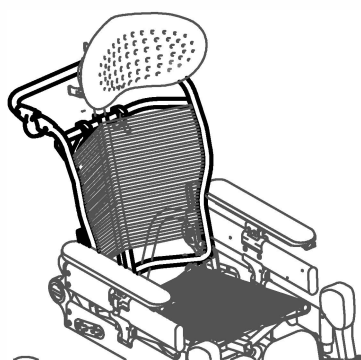
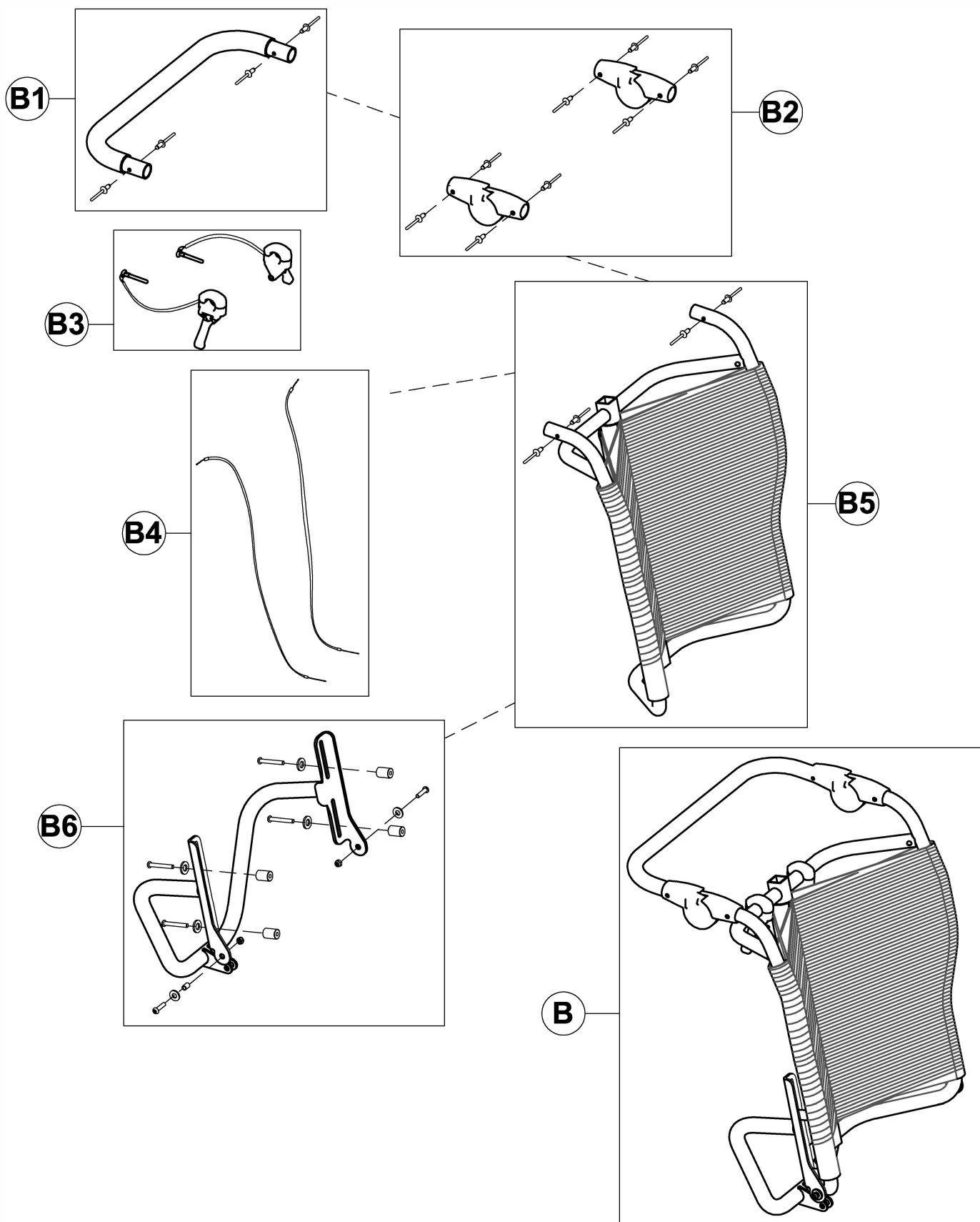
### Spare Parts HEADREST

**ORMEDA**

THIS DRAWING BELONGS TO ORMESA: IT IS FORBIDDEN TO REPRODUCE, CHANGE OR INFORM ANY THIRD PARTY ABOUT ITS CONTENTS

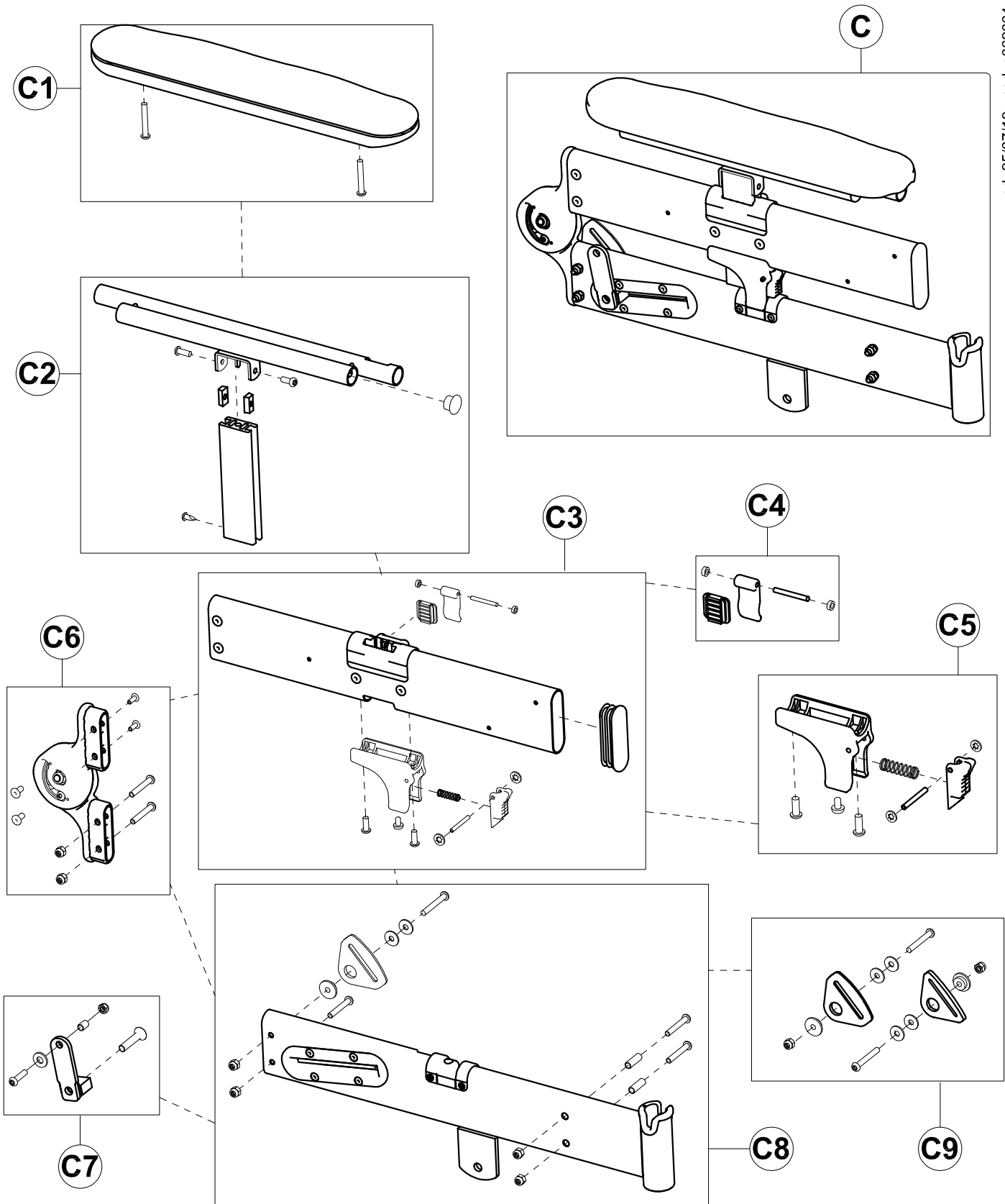
*Juditta*





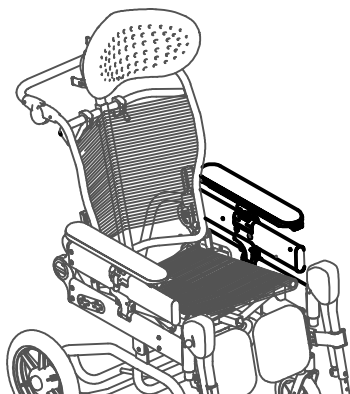
B	303129	COMPLETE BACKREST size-40 ( WHITE )	/ 303129N (BLACK)
B1	302550	COMPLETE PUSH HANDLE size-40	
B2	302553	PAIR OF PUSH HANDLE JOINTS WITH RIVET	
B3	302616	PAIR OF CONTROL LEVERS	
B4	302617	PAIR OF CONTROL CABLES	
B5	303126	BACKREST FRAME +ROPE size-40	/ 303126N (BLACK)
B6	302554	BACKREST SLIDING FRAME size-40	
POS.	PART NR.	DESCRIPTION	PART NR for BLACK JUDITTA

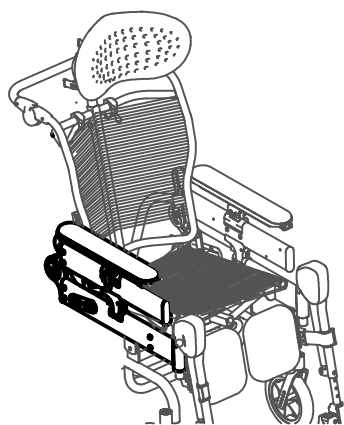
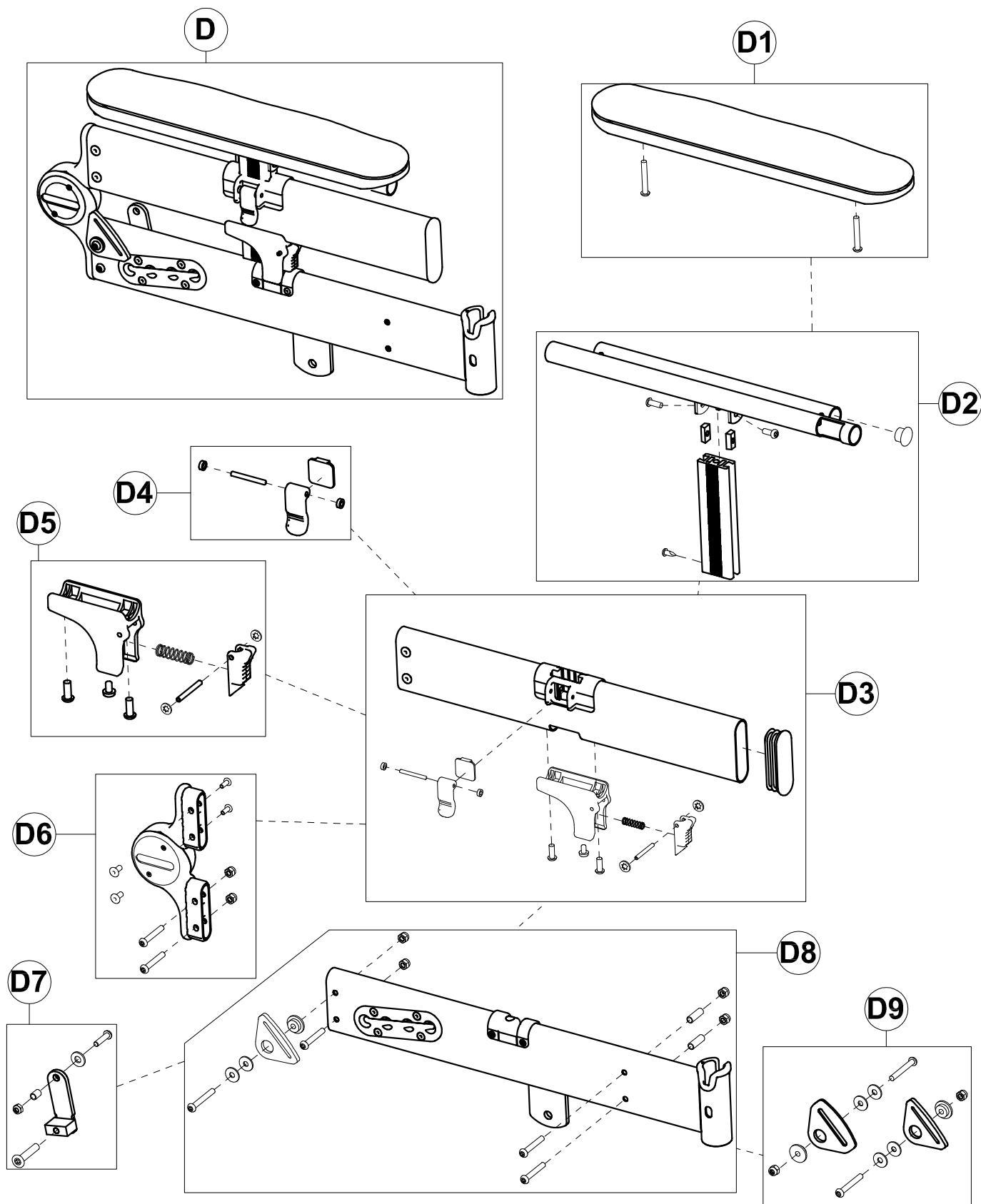
### Spare Parts BACKREST size 36-40



C	302530	LEFT SIDE AND ARM SUPPORT ( WHITE )	/ 302530N (BLACK)
C1	301124	PADDED ARM SUPPORT + SCREWS	
C2	302558	COMPLETE LEFT ARM SUPPORT FRAME	
C3	302560	COMPL. UPPER LEFT SIDE SUPPORT ( WHITE )	/ 302560N (BLACK)
C4	302562	ARM LOCKING LEVER KIT	
C5	302563	UPPER SIDE LOCKING LEVER KIT	
C6	302564	COMPLETE LEFT SIDES HINGE	
C7	302566	HINGE PLATE /BACKREST CURSOR	
C8	302567	COMPL. LOWER LEFT SIDE SUPPORT ( WHITE )	/ 302567N (BLACK)
C9	302850	PAIR OF BUCKLES OF THE 45°PELVIC HARNESS	
POS.	PART NR.	DESCRIPTION	PART NR for BLACK JUDITTA

Spare Parts LEFT SIDE and ARM SUPPORT





D	302529	RIGHT SIDE AND ARM SUPPORT ( WHITE )	/ 302529N ( BLACK )
D1	301124	PADDED ARM SUPPORT + SCREWS	
D2	302559	COMPLETE RIGHT ARM SUPPORT FRAME	
D3	302561	COMPL. UPPER RIGHT SIDE SUPPORT ( WHITE )	/ 302561N ( BLACK )
D4	302562	ARM LOCKING LEVER KIT	
D5	302563	UPPER SIDE LOCKING LEVER KIT	
D6	302565	COMPLETE RIGHT SIDES HINGE	
D7	302566	HINGE PLATE /BACKREST CURSOR	
D8	302568	COMPL. LOWER RIGHT SIDE SUPPORT ( WHITE )	/ 302568N ( BLACK )
D9	302850	PAIR OF BUCKLES OF THE 45°PELVIC HARNESS	

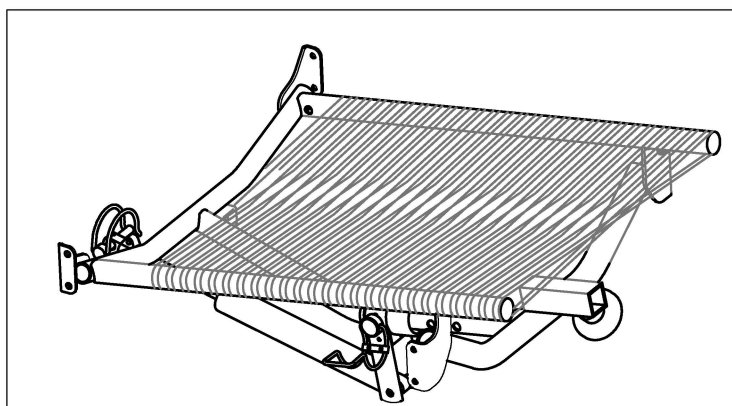
POS. PART NR. DESCRIPTION PART NR for BLACK JUDITTA

## Spare Parts RIGHT SIDE and ARM SUPPORT

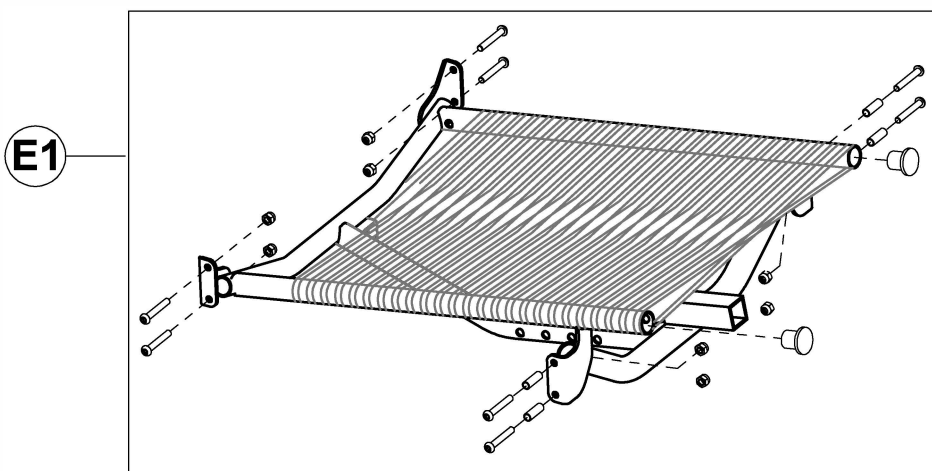
pag. 5

**ORMESA**

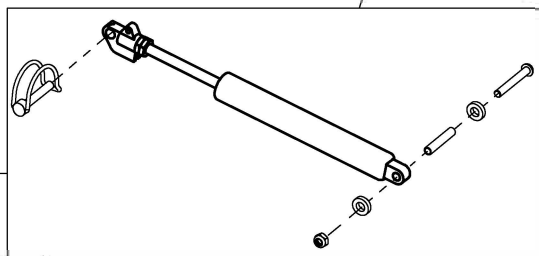
*Juditta*



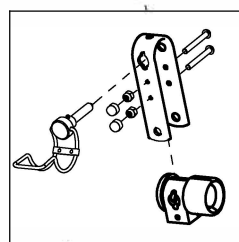
E



E1



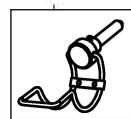
E2



E3



E4

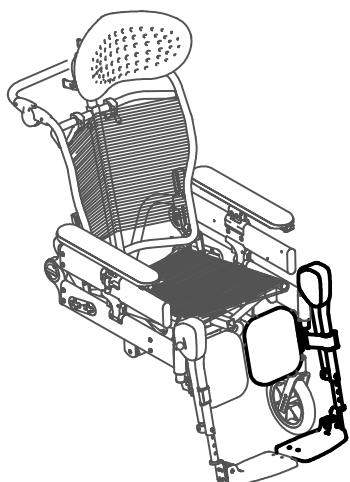
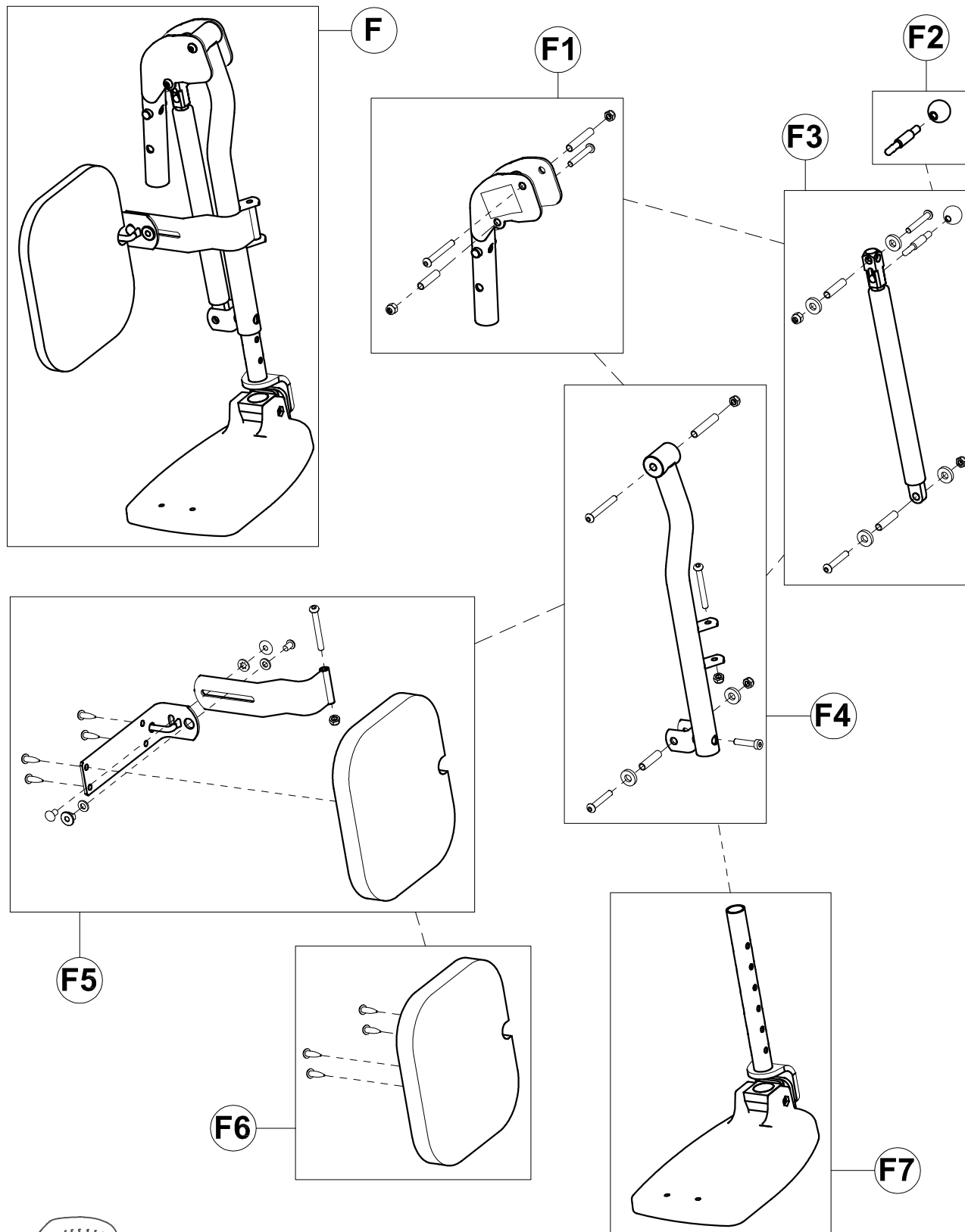


E5



E	302531	COMPLETE SEAT size-40 (WHITE)	/ 302531N (BLACK)
E1	302738	SEAT FRAME +ROPE size-40	/ 302741N (BLACK)
E2	302569	BACKREST GAS SPRING + SCREWS	
E3	302570	GAS SPRING SLIDING FORK	
E4	20711	GAS SPRING SAFETY PIN	
E5	302482	GAS SPRING ADJUSTING PIN	
POS.	PART NR.	DESCRIPTION	PART NR for BLACK JUDITTA

Spare Parts SEAT size 36-40



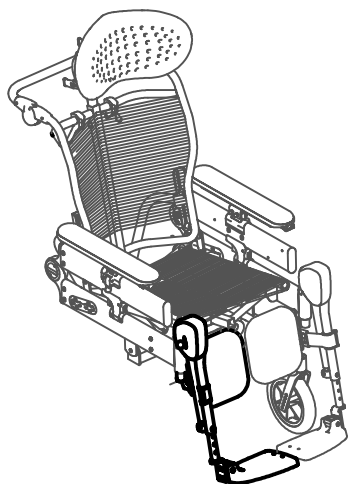
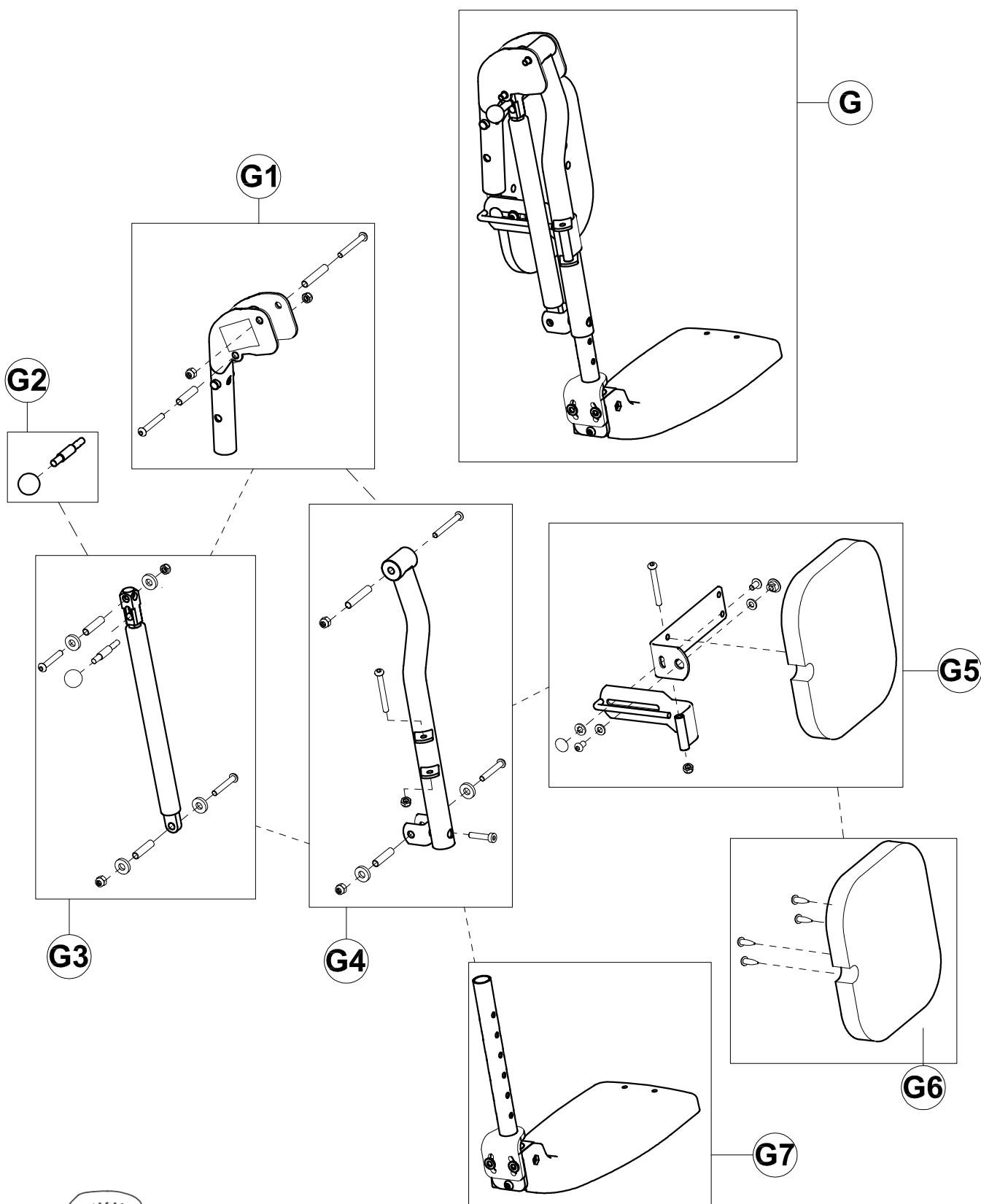
F	302521	LEFT LEGREST size-40
F1	302572	LEGREST JOINT
F2	302573	KNOB+LEVER for LEGREST GAS SPRING
F3	302578	LEGREST GAS SPRING + SCREWS
F4	302574	LEFT LEGREST FRAME + SCREWS
F5	302575S	LEFT CALFREST+ FRAME size-40
F6	302579S	LEFT CALFREST (UPHOLSTERY+ SCREWS) size-40
F7	302582	LEFT FOOTREST+ VERTICAL BAR size-40
POS.	PART NR.	DESCRIPTION

### Spare Parts LEFT LEGREST size-40

**ORMEDA**

THIS DRAWING BELONGS TO ORMESA: IT IS FORBIDDEN TO REPRODUCE, CHANGE OR INFORM ANY THIRD PARTY ABOUT ITS CONTENTS

*Juditta*



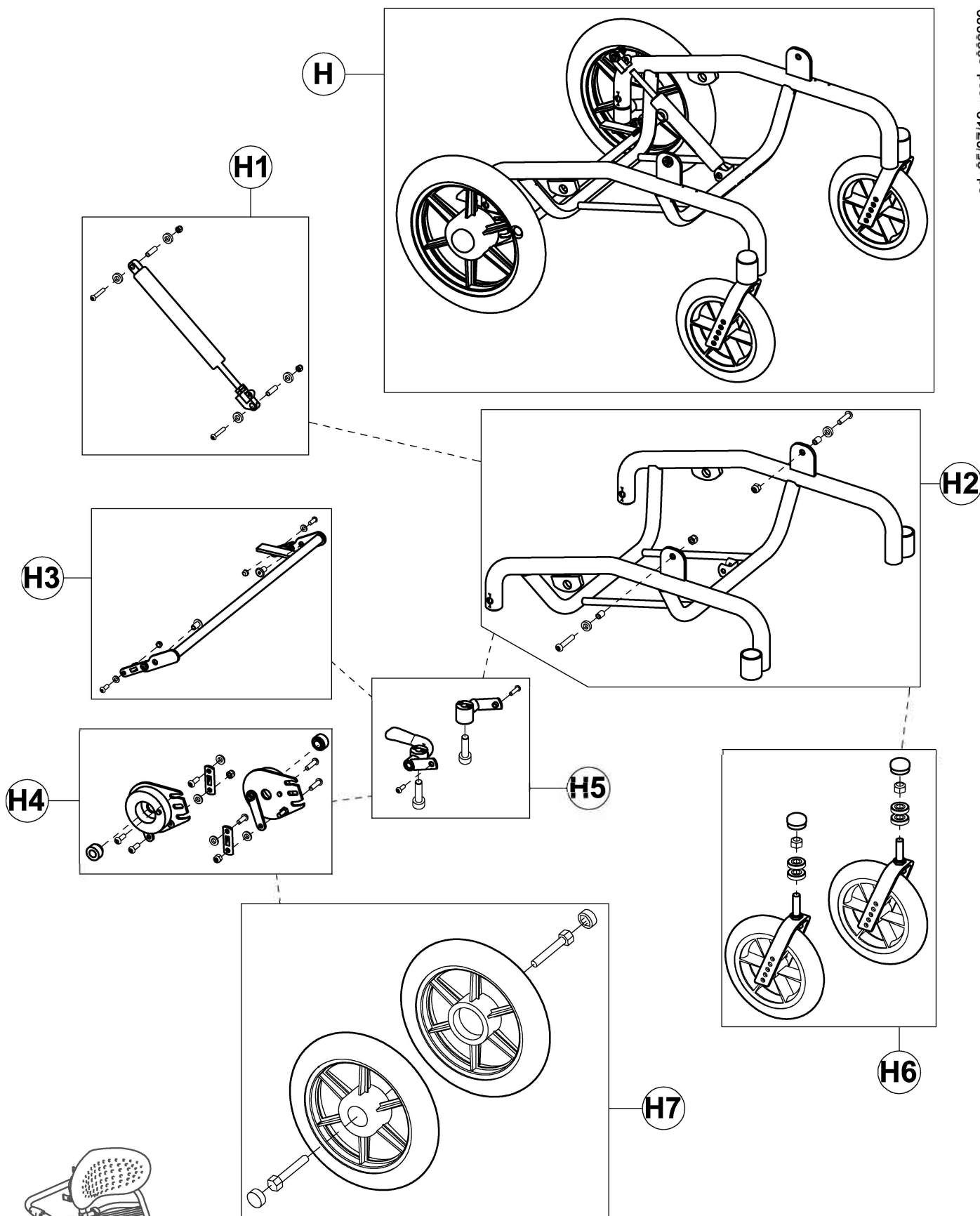
G	302457	RIGHT LEGREST size-40
G1	302572	LEGREST JOINT
G2	302573	KNOB+LEVER for LEGREST GAS SPRING
G3	302578	LEGREST GAS SPRING + SCREWS
G4	302588	RIGHT LEGREST FRAME + SCREWS
G5	302575	RIGHT CALFREST+ FRAME size-40
G6	302579	RIGHT CALFREST (UPHOLSTERY+ SCREWS) size-40
G7	302583	RIGHT FOOTREST+ VERTICAL BAR size-40
POS.	PART NR.	DESCRIPTION

**Spare Parts RIGHT LEGREST size-40**

**ORMEDA**

THIS DRAWING BELONGS TO ORMESA: IT IS FORBIDDEN TO REPRODUCE, CHANGE OR INFORM ANY THIRD PARTY ABOUT ITS CONTENTS

*Juditta*



H	303132	BASE WITH WHEELS size-40 B30 ( WHITE ) / 303132N (BLACK)
H1	302589	TILTING GAS SPRING + SCREW
H2	302594	BASE FRAME + SCREWS size-40 ( WHITE ) / 302594N (BLACK)
H3	303162	BRAKE FRAME + PLATES AND SCREWS size-40
H4	302593	RIGHT-LEFT BRAKE BLOCK + SCREWS
H5	302597	WHEEL B30 HUBS
H6	302598	FRONT WHEELS B30-B60
H7	302599	PAIR OF REAR WHEELS B30

POS. PART NR. DESCRIPTION PART NR for BLACK JUDITTA

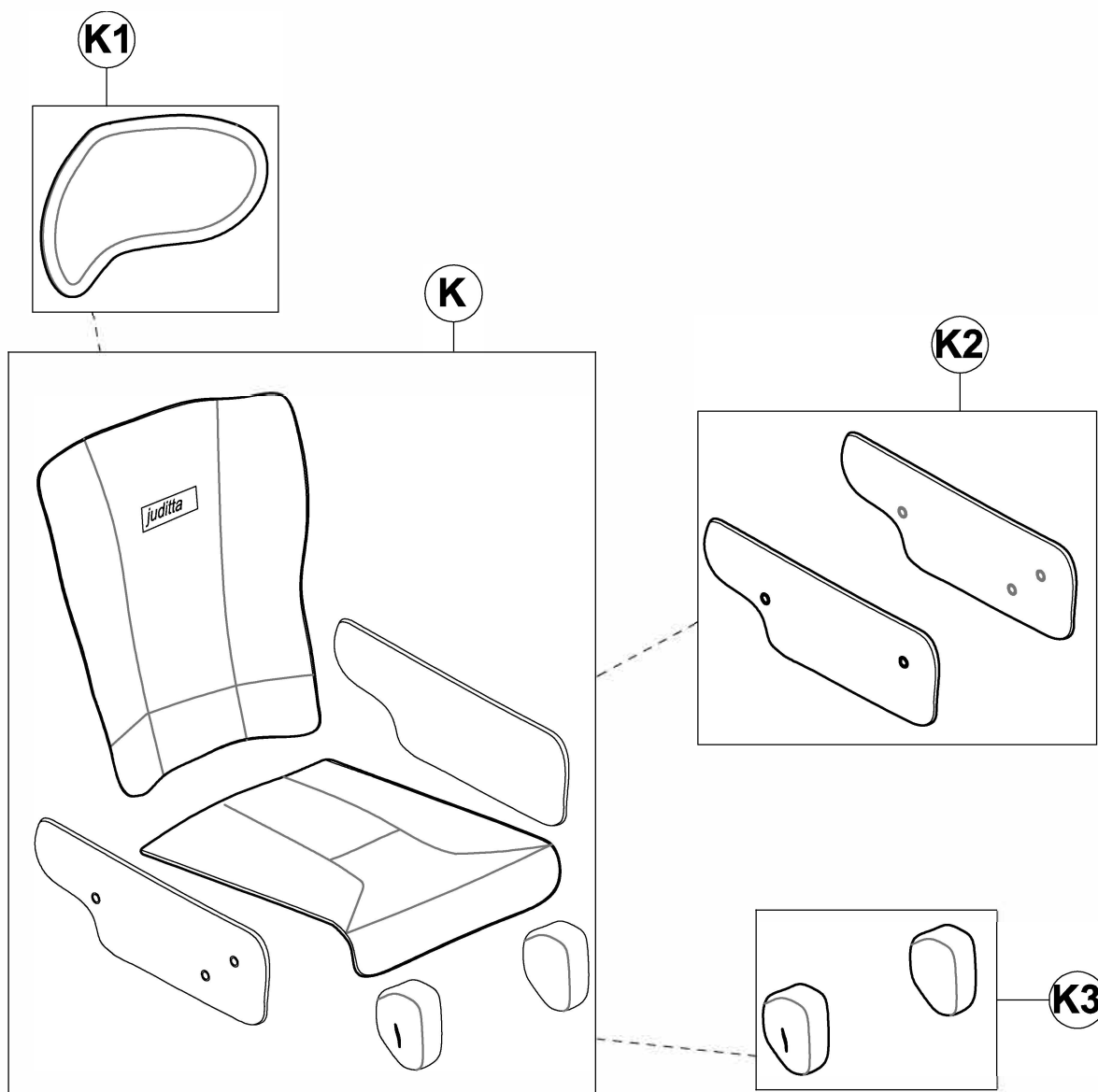
Spare Parts BASE WITH WHEELS size 36-40 B30

pag. 9

**ORMEDA**

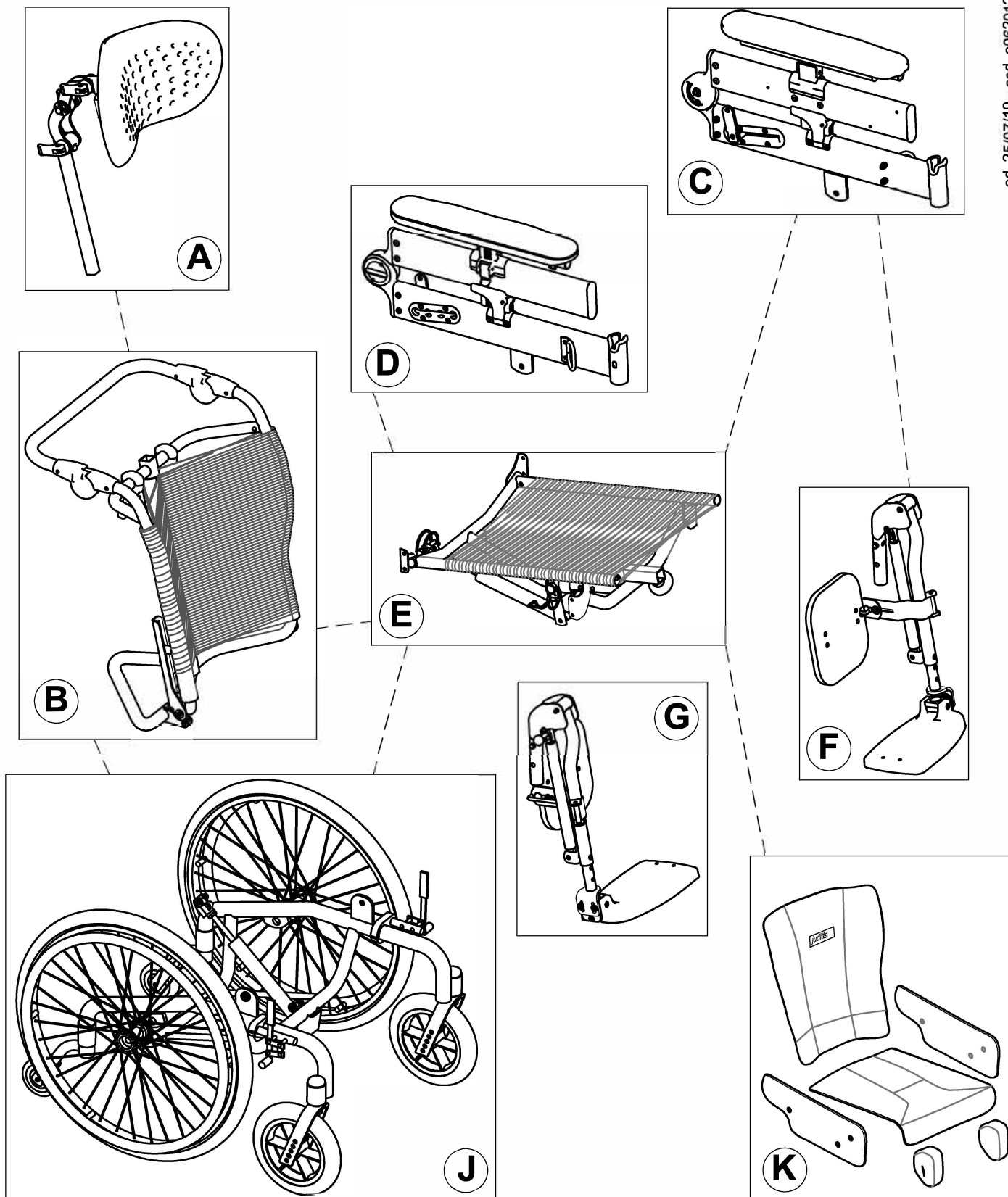
**Juditta**

THIS DRAWING BELONGS TO ORMESA: IT IS FORBIDDEN TO REPRODUCE, CHANGE OR INFORM ANY THIRD PARTY ABOUT ITS CONTENTS



	171659	LIGHT GREY UPHOLSTERY SIZE-40
K	171658	DARK GREY UPHOLSTERY SIZE 40
	100768	938-36 UPHOLSTERY (WATERPROOF)
	100769	938-40 UPHOLSTERY (WATERPROOF)
	100127	936 JUDITTA HEADREST COVER LIGHT GREY
K1	100126	936 JUDITTA HEADREST COVER DARK GREY
	100121M	936 JUDITTA HEADREST COVER (WATERPROOF)
K2	171462	UPHOLSTERY SIDES size-36
	171470	UPHOLSTERY SIDES size-40-45-50
K3	171461	UPHOLSTERY LEGREST HINGE
POS.	PART NR.	DESCRIPTION

**Spare Parts UPHOLSTERY size 36-40**



A	302970	COMPLETE HEADREST	
B	303129	COMPLETE BACKREST size-40 ( WHITE )	
C	302530	LEFT SIDE AND ARM SUPPORT ( WHITE )	/ 303129N ( BLACK )
D	302529	RIGHT SIDE AND ARM SUPPORT ( WHITE )	/ 302530N ( BLACK )
E	302531	COMPLETE SEAT size-40 ( WHITE )	/ 302529N ( BLACK )
F	302521	LEFT LEGREST size-40	/ 302531N ( BLACK )
G	302457	RIGHT LEGREST size-40	
J	302526	BASE WITH WHEELS size-40 B60 ( WHITE )	
K	171659	LIGHT GREY UPHOLSTERY SIZE-40	/ 302526N ( BLACK )
	171658	DARK GREY UPHOLSTERY SIZE 40	
POS.	PART NR.	DESCRIPTION	PART NR for BLACK JUDITTA

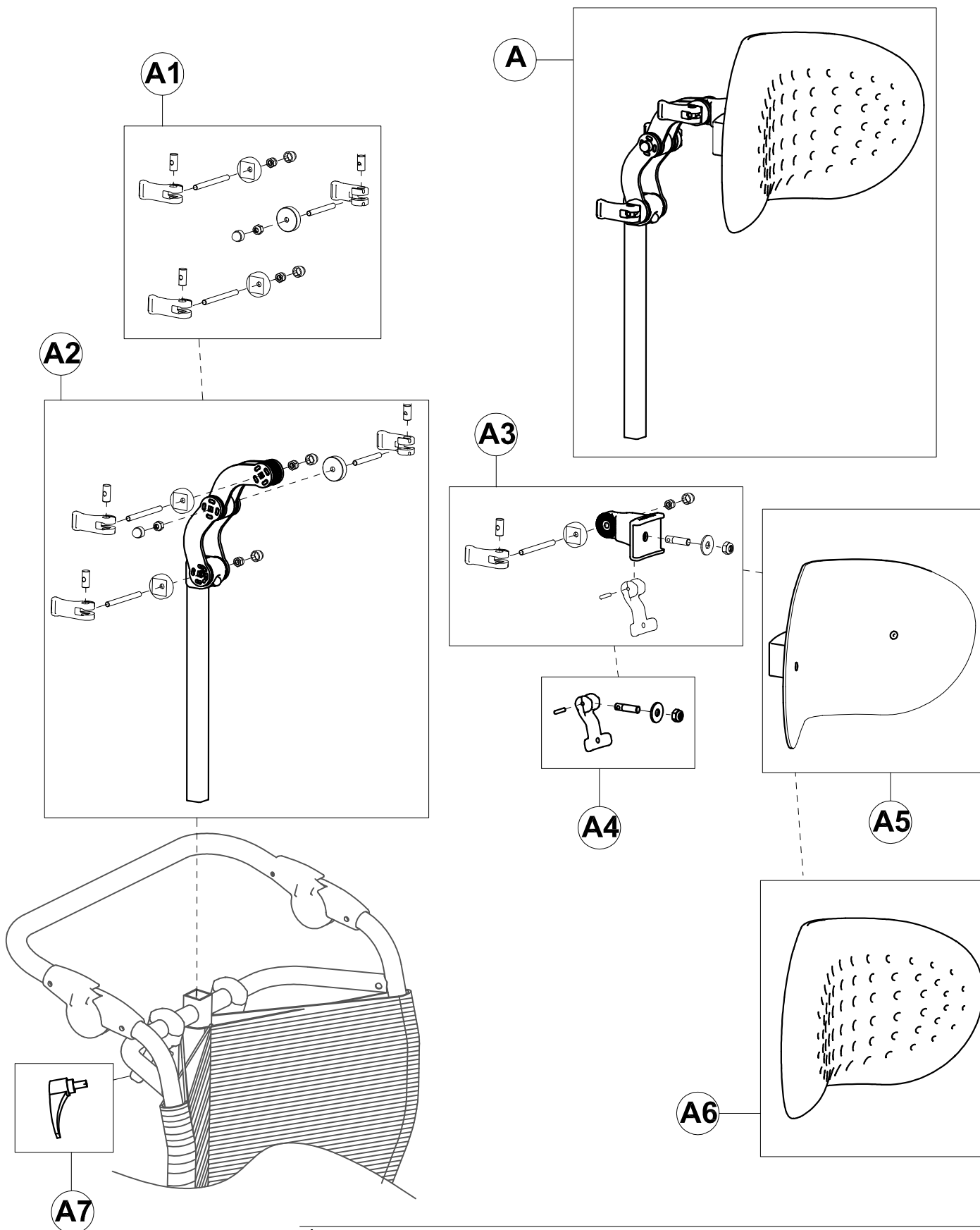
Spare Parts JUDITTA B60 size 36-40

pag. 1

**ORMESA**

**Juditta**

THIS DRAWING BELONGS TO ORMESA: IT IS FORBIDDEN TO REPRODUCE, CHANGE OR INFORM ANY THIRD PARTY ABOUT ITS CONTENTS



A	302970	COMPLETE HEADREST
A1	303257	HEADREST KNOB + JOINT SCREW
A2	303258	HEADREST VERTICAL FRAME WITH JOINT
A3	303259	HEADREST JOINT ATTACK WITH LEVER
A4	303260	HEADREST SLIDING LEVER
A5	302609	HEADREST SHEET METALE
A6	16486	HEADREST ANTIBACTERIAL COATING
A7	14066	ADJUSTABLE HANDLE
POS.	PART NR.	DESCRIPTION

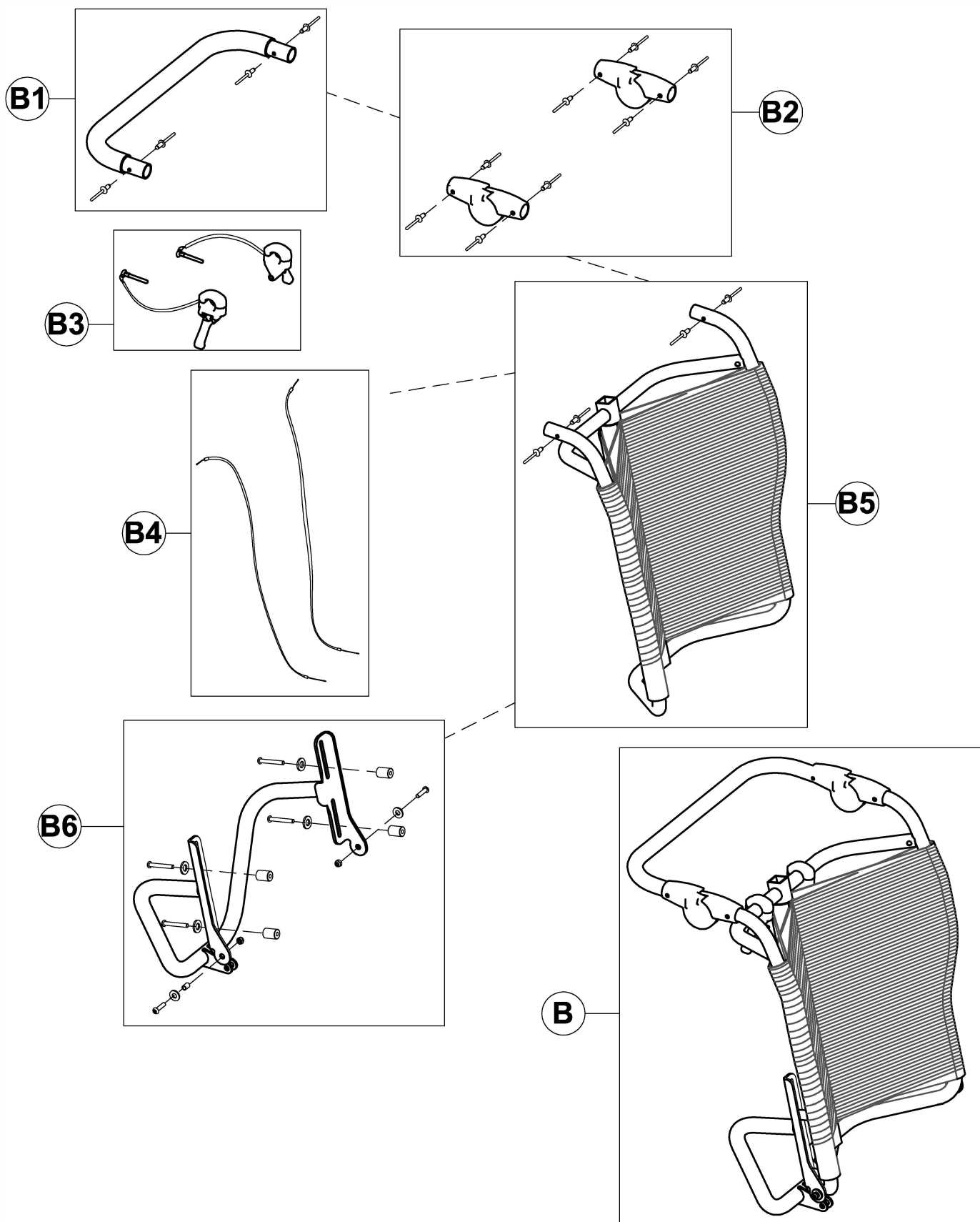
### Spare Parts HEADREST

**ORMEDA**

THIS DRAWING BELONGS TO ORMESA: IT IS FORBIDDEN TO REPRODUCE, CHANGE OR INFORM ANY THIRD PARTY ABOUT ITS CONTENTS

*Juditta*





B	303129	COMPLETE BACKREST size-40 ( WHITE )	/ 303129N (BLACK)
B1	302550	COMPLETE PUSH HANDLE size-40	
B2	302553	PAIR OF PUSH HANDLE JOINTS WITH RIVET	
B3	302616	PAIR OF CONTROL LEVERS	
B4	302617	PAIR OF CONTROL CABLES	
B5	303126	BACKREST FRAME +ROPE size-40	/ 303126N (BLACK)
B6	302554	BACKREST SLIDING FRAME size-40	
POS.	PART NR.	DESCRIPTION	PART NR for BLACK JUDITTA

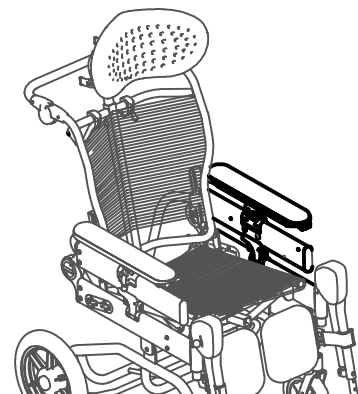
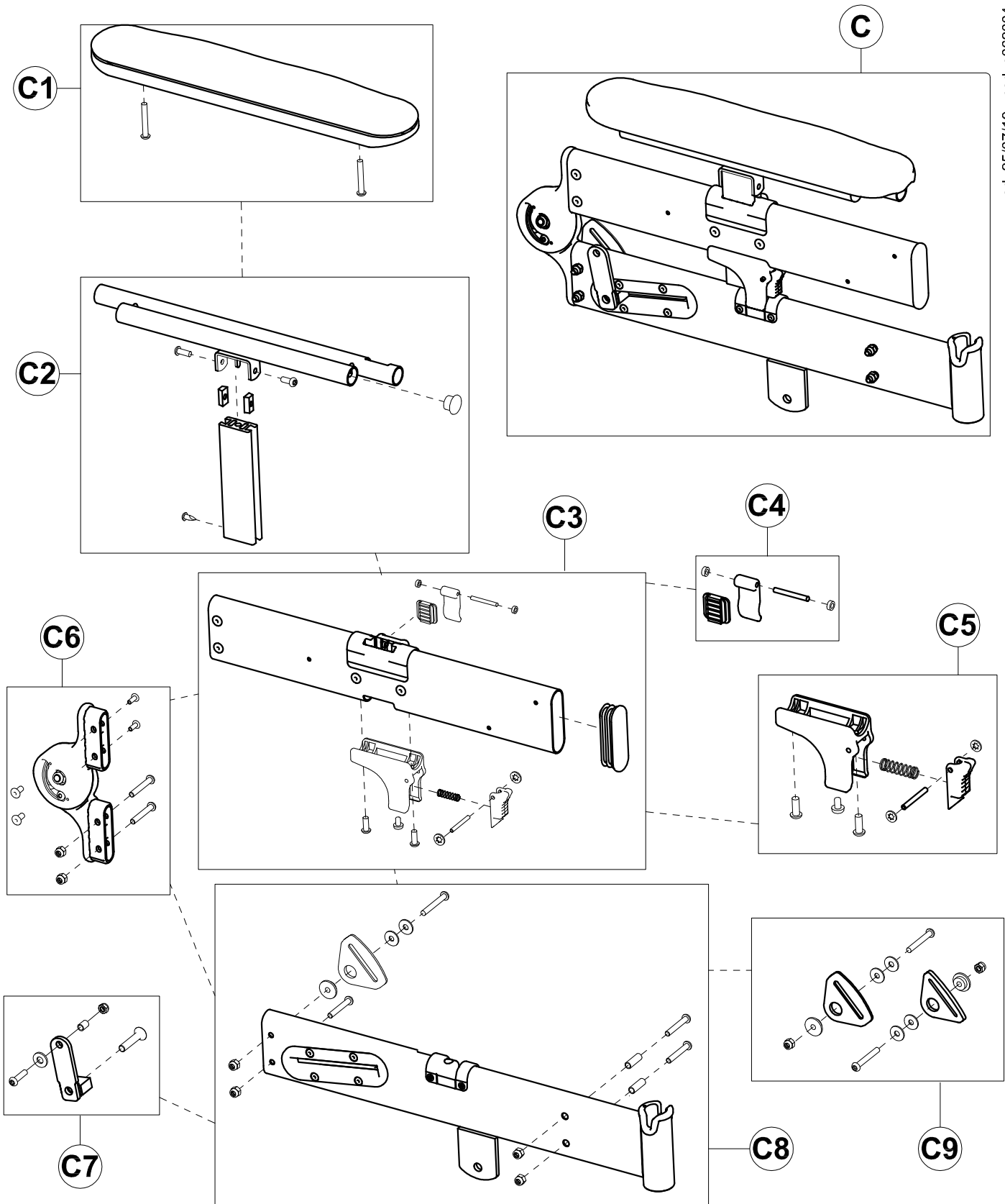
### Spare Parts BACKREST size 36-40

pag. 3

**ORMESA**

**Juditta**

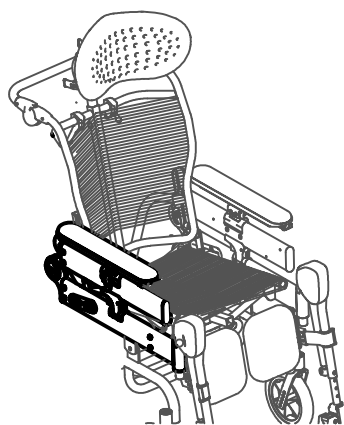
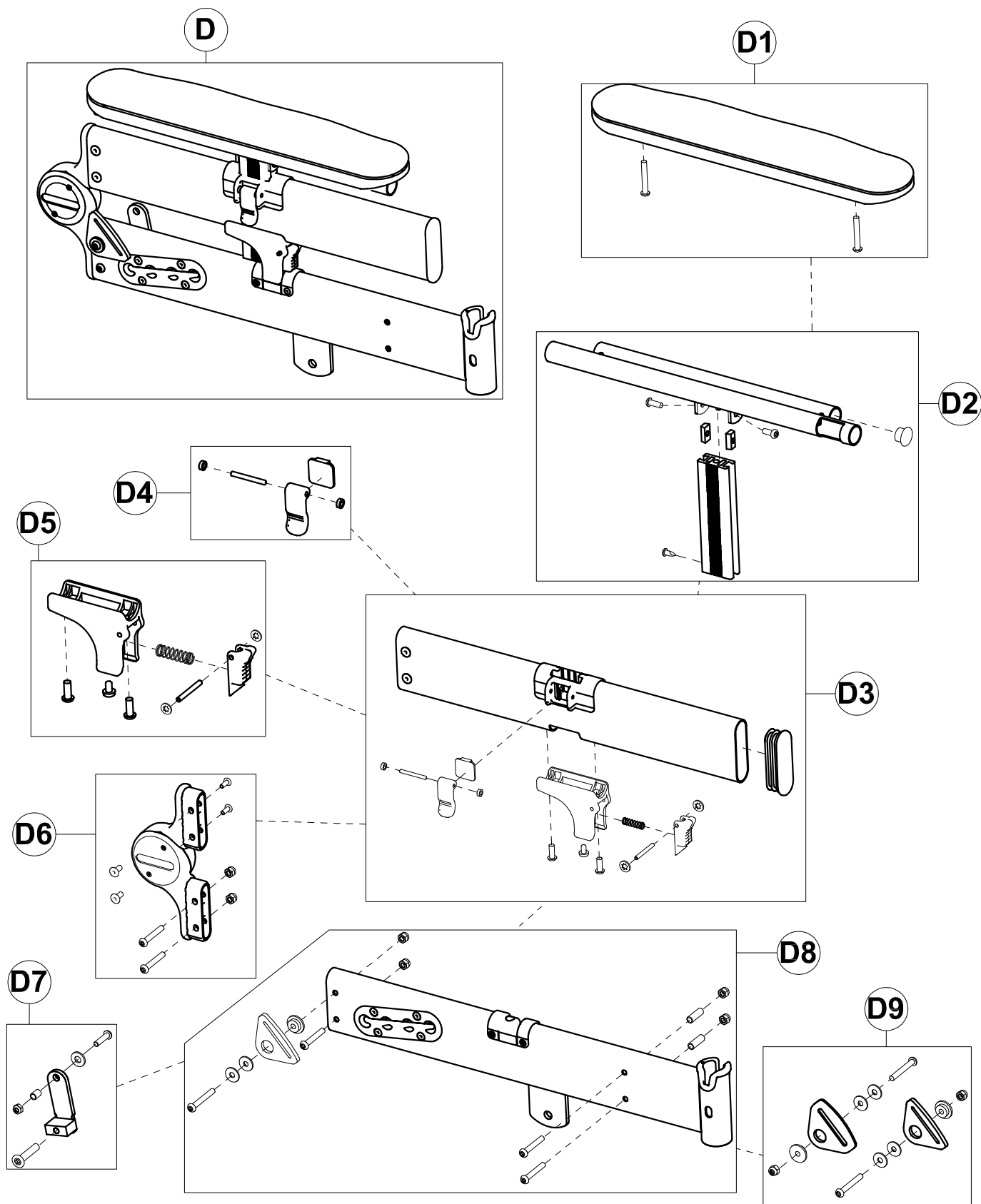
THIS DRAWING BELONGS TO ORMESA: IT IS FORBIDDEN TO REPRODUCE, CHANGE OR INFORM ANY THIRD PARTY ABOUT ITS CONTENTS



C	302530	LEFT SIDE AND ARM SUPPORT ( WHITE )	/ 302530N (BLACK)
C1	301124	PADDED ARM SUPPORT + SCREWS	
C2	302558	COMPLETE LEFT ARM SUPPORT FRAME	
C3	302560	COMPL. UPPER LEFT SIDE SUPPORT ( WHITE )	/ 302560N (BLACK)
C4	302562	ARM LOCKING LEVER KIT	
C5	302563	UPPER SIDE LOCKING LEVER KIT	
C6	302564	COMPLETE LEFT SIDES HINGE	
C7	302566	HINGE PLATE /BACKREST CURSOR	
C8	302567	COMPL. LOWER LEFT SIDE SUPPORT ( WHITE )	/ 302567N (BLACK)
C9	302850	PAIR OF BUCKLES OF THE 45°PELVIC HARNESS	
POS.	PART NR.	DESCRIPTION	PART NR for BLACK JUDITTA

Spare Parts LEFT SIDE and ARM SUPPORT





D	302529	RIGHT SIDE AND ARM SUPPORT ( WHITE )	/ 302529N ( BLACK )
D1	301124	PADDED ARM SUPPORT + SCREWS	
D2	302559	COMPLETE RIGHT ARM SUPPORT FRAME	
D3	302561	COMPL. UPPER RIGHT SIDE SUPPORT ( WHITE )	/ 302561N ( BLACK )
D4	302562	ARM LOCKING LEVER KIT	
D5	302563	UPPER SIDE LOCKING LEVER KIT	
D6	302565	COMPLETE RIGHT SIDES HINGE	
D7	302566	HINGE PLATE /BACKREST CURSOR	
D8	302568	COMPL. LOWER RIGHT SIDE SUPPORT ( WHITE )	/ 302568N ( BLACK )
D9	302850	PAIR OF BUCKLES OF THE 45°PELVIC HARNESS	

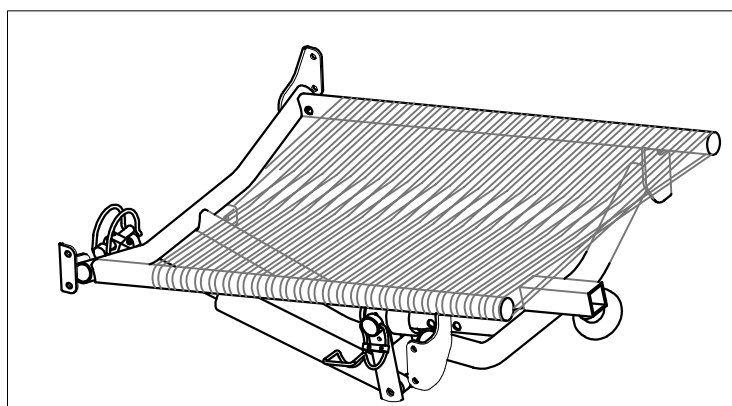
POS. PART NR. DESCRIPTION PART NR for BLACK JUDITTA

## Spare Parts RIGHT SIDE and ARM SUPPORT

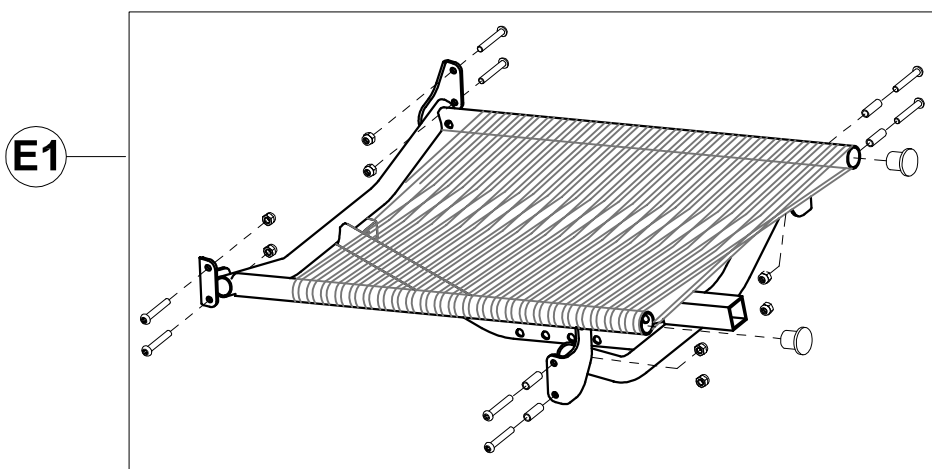
pag. 5

**ORMESA**

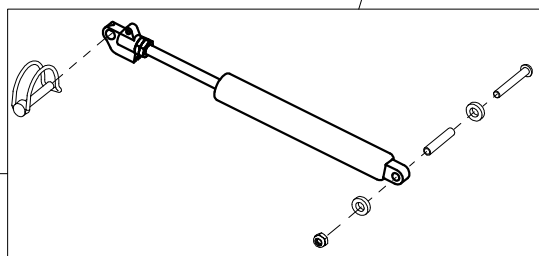
*Juditta*



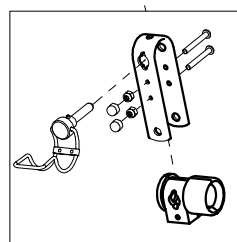
E



E1



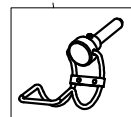
E2



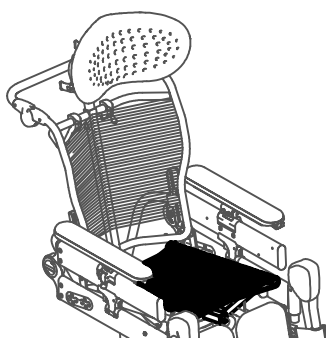
E3



E4

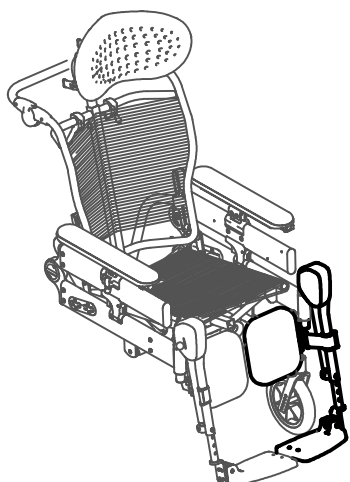
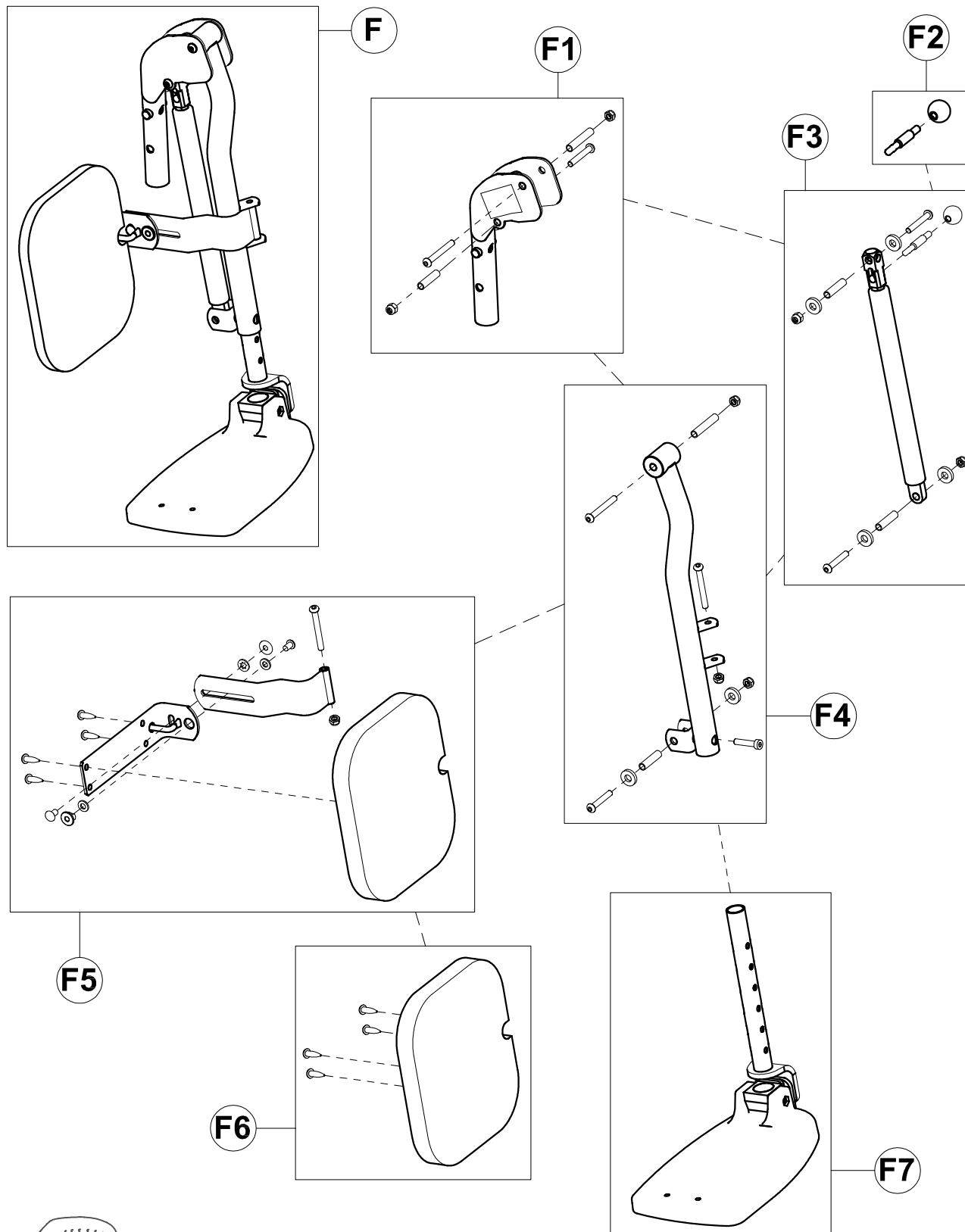


E5



E	302531	COMPLETE SEAT size-40 (WHITE)	/ 302531N (BLACK)
E1	302738	SEAT FRAME +ROPE size-40	/ 302741N (BLACK)
E2	302569	BACKREST GAS SPRING + SCREWS	
E3	302570	GAS SPRING SLIDING FORK	
E4	20761	GAS SPRING SAFETY PIN	
E5	302482	GAS SPRING ADJUSTING PIN	
POS.	PART NR.	DESCRIPTION	PART NR for BLACK JUDITTA

### Spare Parts SEAT size 36 - 40



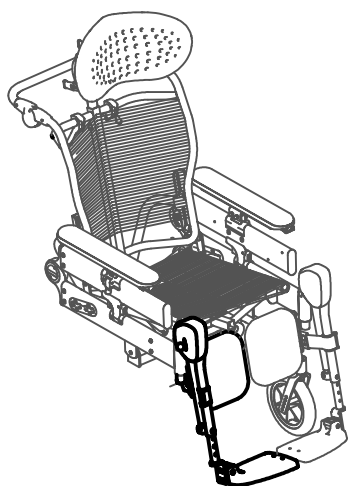
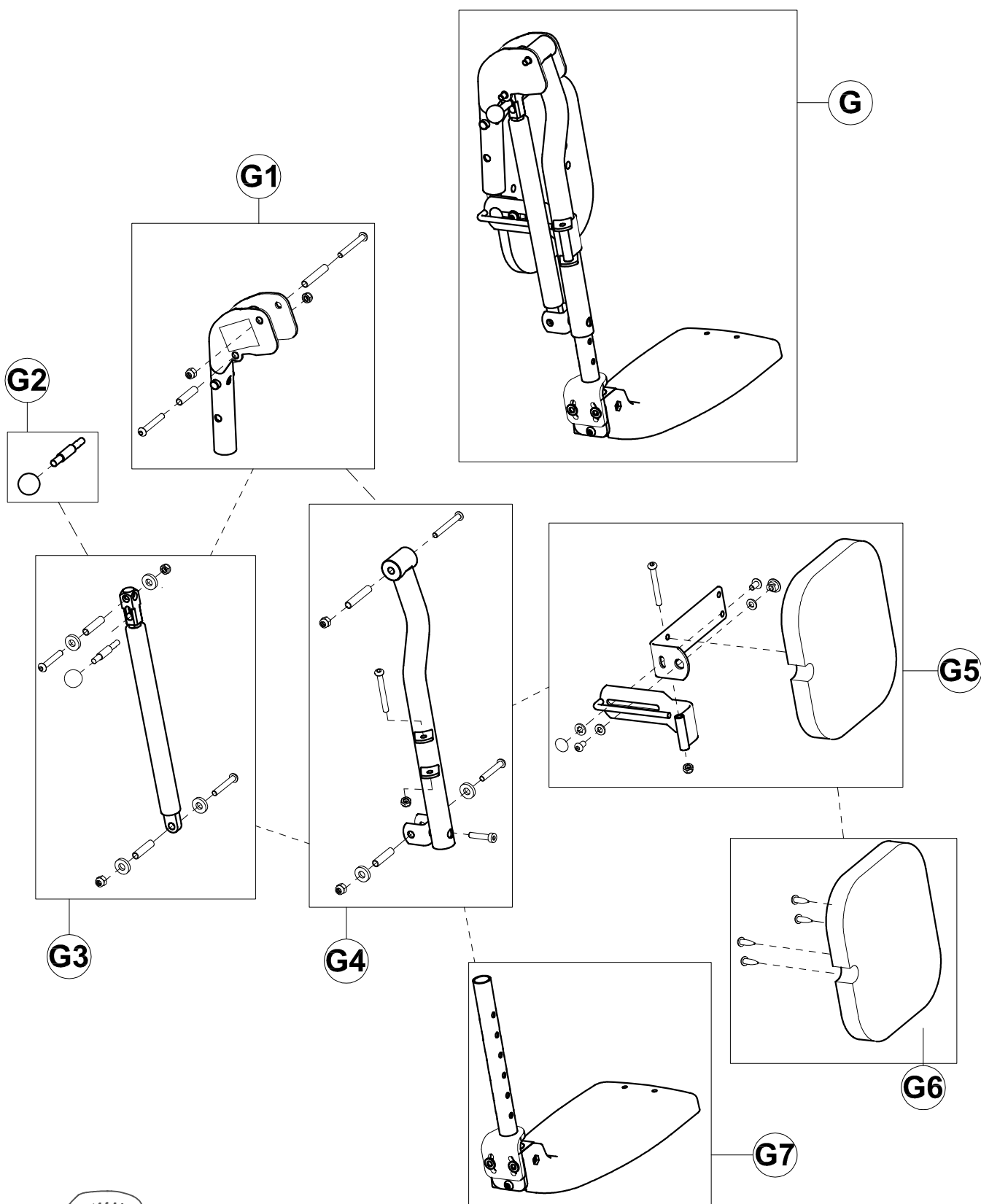
F	302521	LEFT LEGREST size-40
F1	302572	LEGREST JOINT
F2	302573	KNOB+LEVER for LEGREST GAS SPRING
F3	302578	LEGREST GAS SPRING + SCREWS
F4	302574	LEFT LEGREST FRAME + SCREWS
F5	302575S	LEFT CALFREST+ FRAME size-40
F6	302579S	LEFT CALFREST (UPHOLSTERY+ SCREWS) size-40
F7	302582	LEFT FOOTREST+ VERTICAL BAR size-40
POS.	PART NR.	DESCRIPTION

### Spare Parts LEFT LEGREST size-40

**ORMEDA**

THIS DRAWING BELONGS TO ORMESA: IT IS FORBIDDEN TO REPRODUCE, CHANGE OR INFORM ANY THIRD PARTY ABOUT ITS CONTENTS

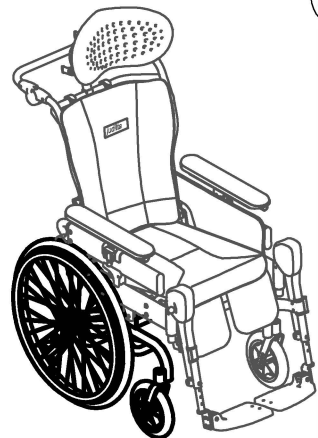
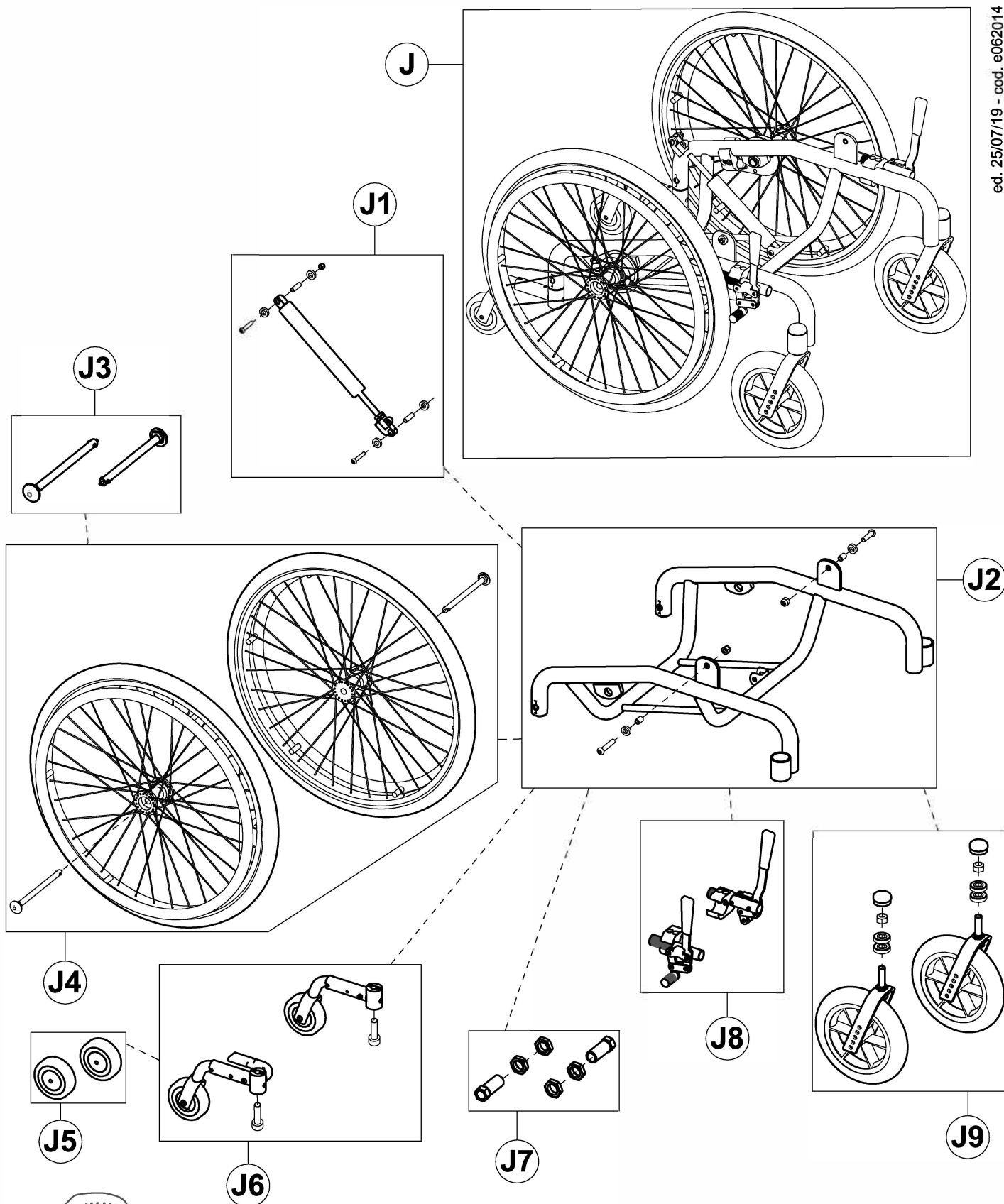
*Juditta*



G	302457	RIGHT LEGREST size-40
G1	302572	LEGREST JOINT
G2	302573	KNOB+LEVER for LEGREST GAS SPRING
G3	302578	LEGREST GAS SPRING + SCREWS
G4	302588	RIGHT LEGREST FRAME + SCREWS
G5	302575	RIGHT CALFREST+ FRAME size-40
G6	302579	RIGHT CALFREST (UPHOLSTERY+ SCREWS) size-40
G7	302583	RIGHT FOOTREST+ VERTICAL BAR size-40
POS.	PART NR.	DESCRIPTION

Spare Parts RIGHT LEGREST size-40

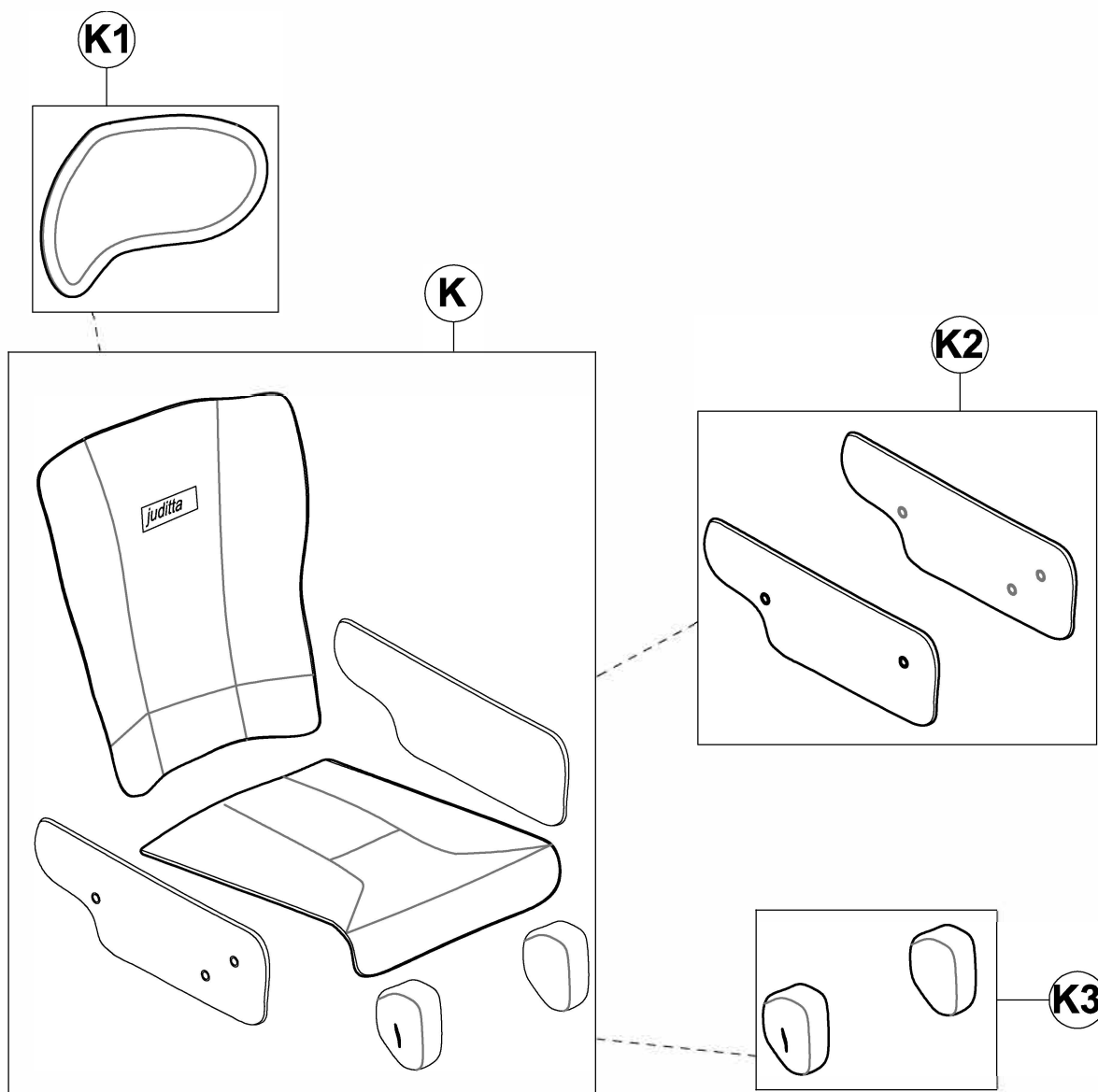




J	302526	BASE WITH WHEELS size-40 B60 ( WHITE )	/ 302526N (BLACK)
J1	302589	TILTING GAS SPRING + SCREW	
J2	302594	BASE FRAME + SCREWS size-40 ( WHITE )	/ 302594N (BLACK)
J3	302602	PAIR OF QUICK RELEASE PIN	
J4	302603	B60 WHEELS + PINS	
J5	302605	ANTI-TIP WHEELS	
J6	303291	PAIR OF ANTI-TIP FRAME + WHEELS	
J7	302621	PAIR OF QUICK RELEASE BUSHING +NUTS	
J8	302736	BRAKES B60	
J9	302598	FRONT WHEELS B30-B60	
POS.	PART NR.	DESCRIPTION	PART NR for BLACK JUDITTA

Spare Parts BASE WITH WHEELS size 36-40 B60 pag. 9





	171659	LIGHT GREY UPHOLSTERY SIZE-40
K	171658	DARK GREY UPHOLSTERY SIZE 40
	100768	938-36 UPHOLSTERY (WATERPROOF)
	100769	938-40 UPHOLSTERY (WATERPROOF)
	100127	936 JUDITTA HEADREST COVER LIGHT GREY
K1	100126	936 JUDITTA HEADREST COVER DARK GREY
	100121M	936 JUDITTA HEADREST COVER (WATERPROOF)
K2	171462	UPHOLSTERY SIDES size-36
	171470	UPHOLSTERY SIDES size-40-45-50
K3	171461	UPHOLSTERY LEGREST HINGE
POS.	PART NR.	DESCRIPTION

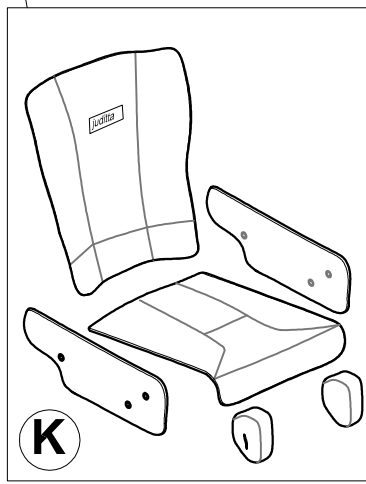
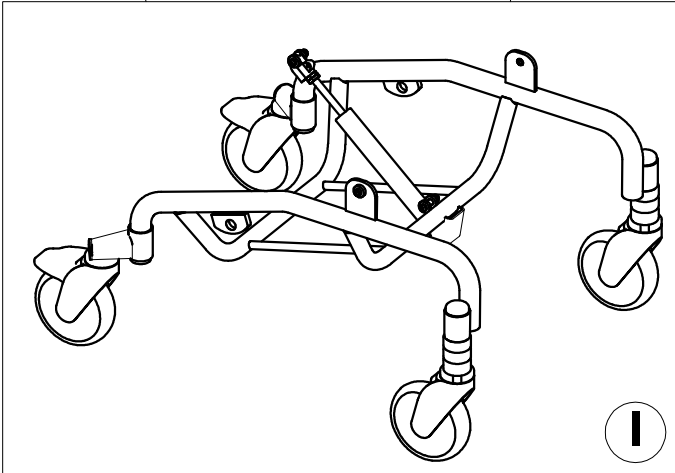
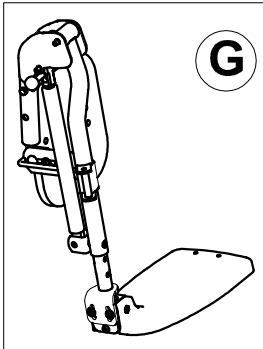
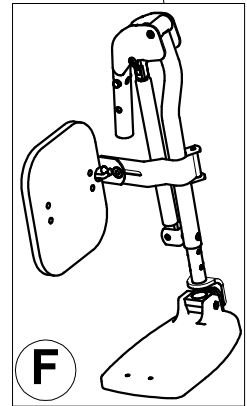
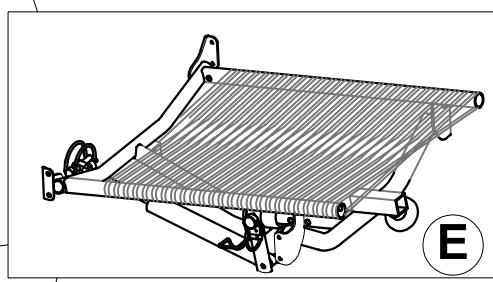
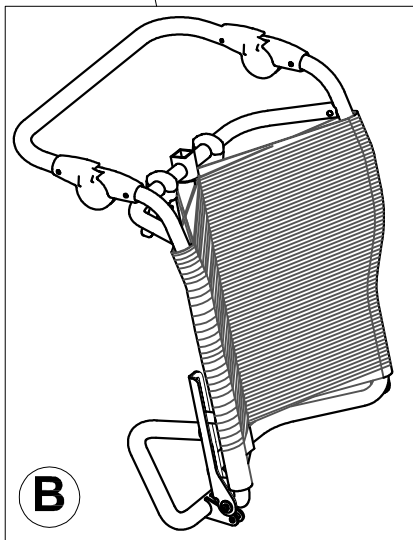
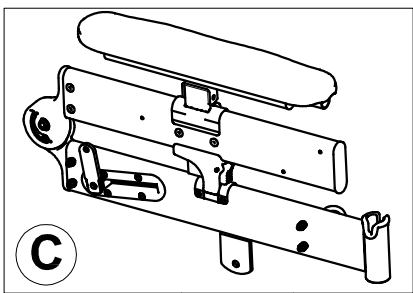
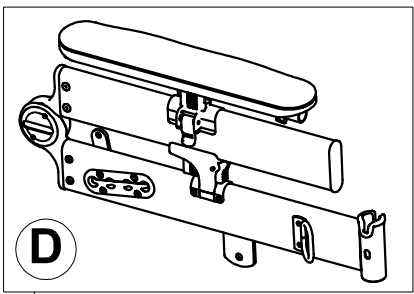
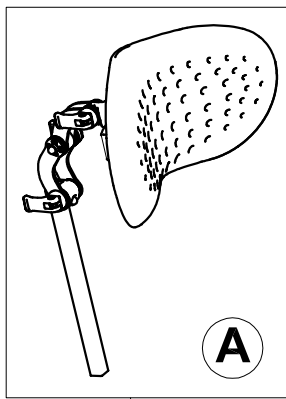
### Spare Parts UPHOLSTERY size 36-40

pag. 10

**ORMESA**

*Juditta*

THIS DRAWING BELONGS TO ORMESA: IT IS FORBIDDEN TO REPRODUCE, CHANGE OR INFORM ANY THIRD PARTY ABOUT ITS CONTENTS

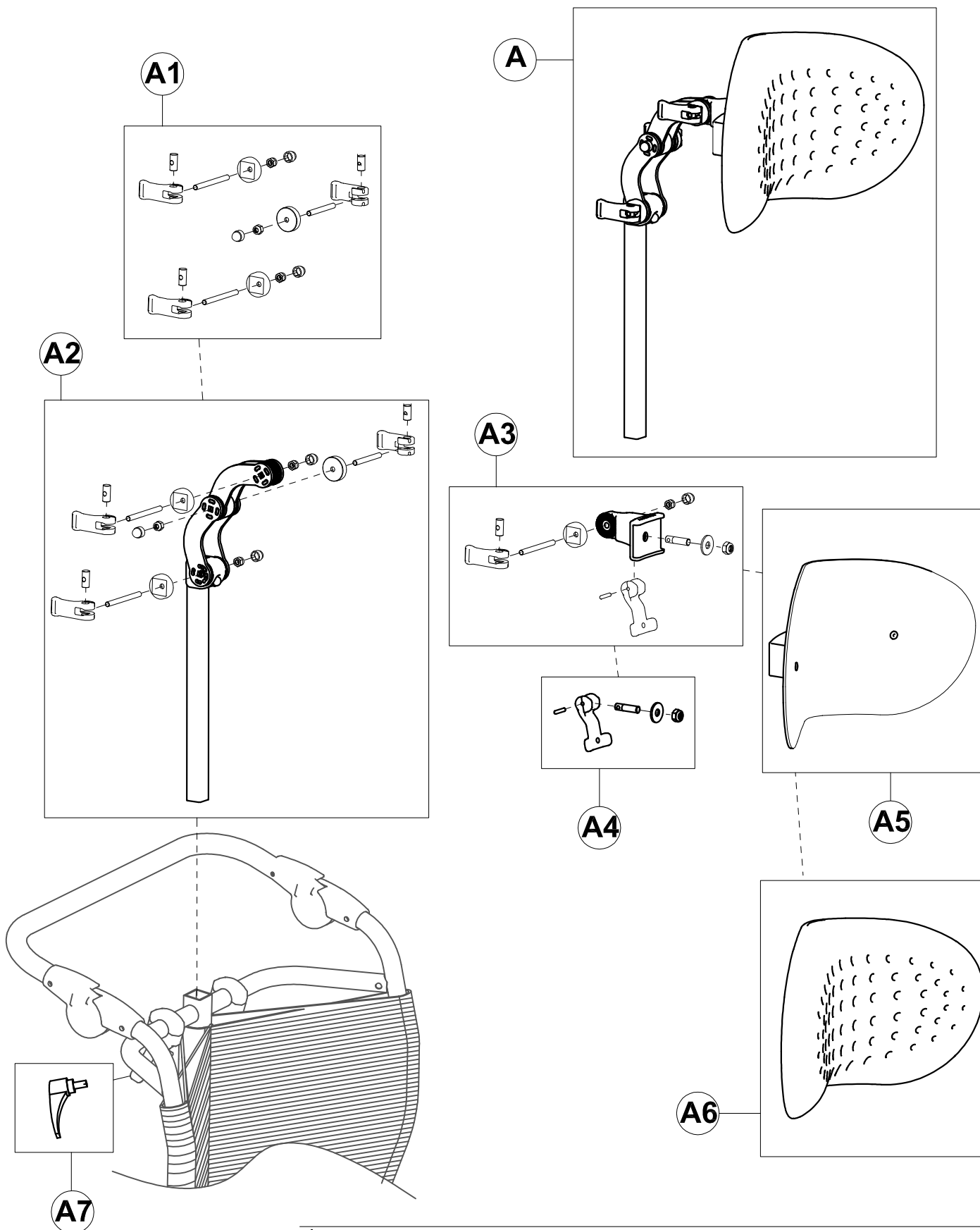


A	302970	COMPLETE HEADREST	
B	303130	COMPLETE BACKREST size-45 ( WHITE )	/ 303130N (BLACK)
C	302530	LEFT SIDE AND ARM SUPPORT ( WHITE )	/ 302530N (BLACK)
D	302529	RIGHT SIDE AND ARM SUPPORT ( WHITE )	/ 302529N (BLACK)
E	302532	COMPLETE SEAT size-45 ( WHITE )	/ 302532N (BLACK)
F	302523	LEFT LEGREST size-45	
G	302522	RIGHT LEGREST size-45	
I	302519	BASE WITH WHEELS size-45 B12 ( WHITE )	/ 302519N (BLACK)
K	171656	LIGHT GREY UPHOLSTERY SIZE-45	
	171654	DARK GREY UPHOLSTERY SIZE 45	

POS. PART NR. DESCRIPTION PART NR for BLACK JUDITTA

Spare Parts JUDITTA B12 size 45





A	302970	COMPLETE HEADREST
A1	303257	HEADREST KNOB + JOINT SCREW
A2	303258	HEADREST VERTICAL FRAME WITH JOINT
A3	303259	HEADREST JOINT ATTACK WITH LEVER
A4	303260	HEADREST SLIDING LEVER
A5	302609	HEADREST SHEET METALE
A6	16486	HEADREST ANTIBACTERIAL COATING
A7	14066	ADJUSTABLE HANDLE
POS.	PART NR.	DESCRIPTION

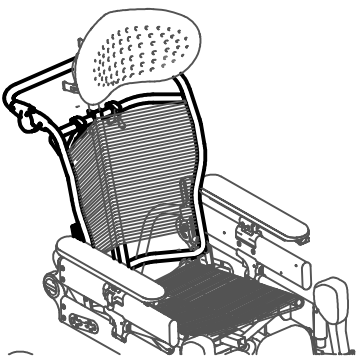
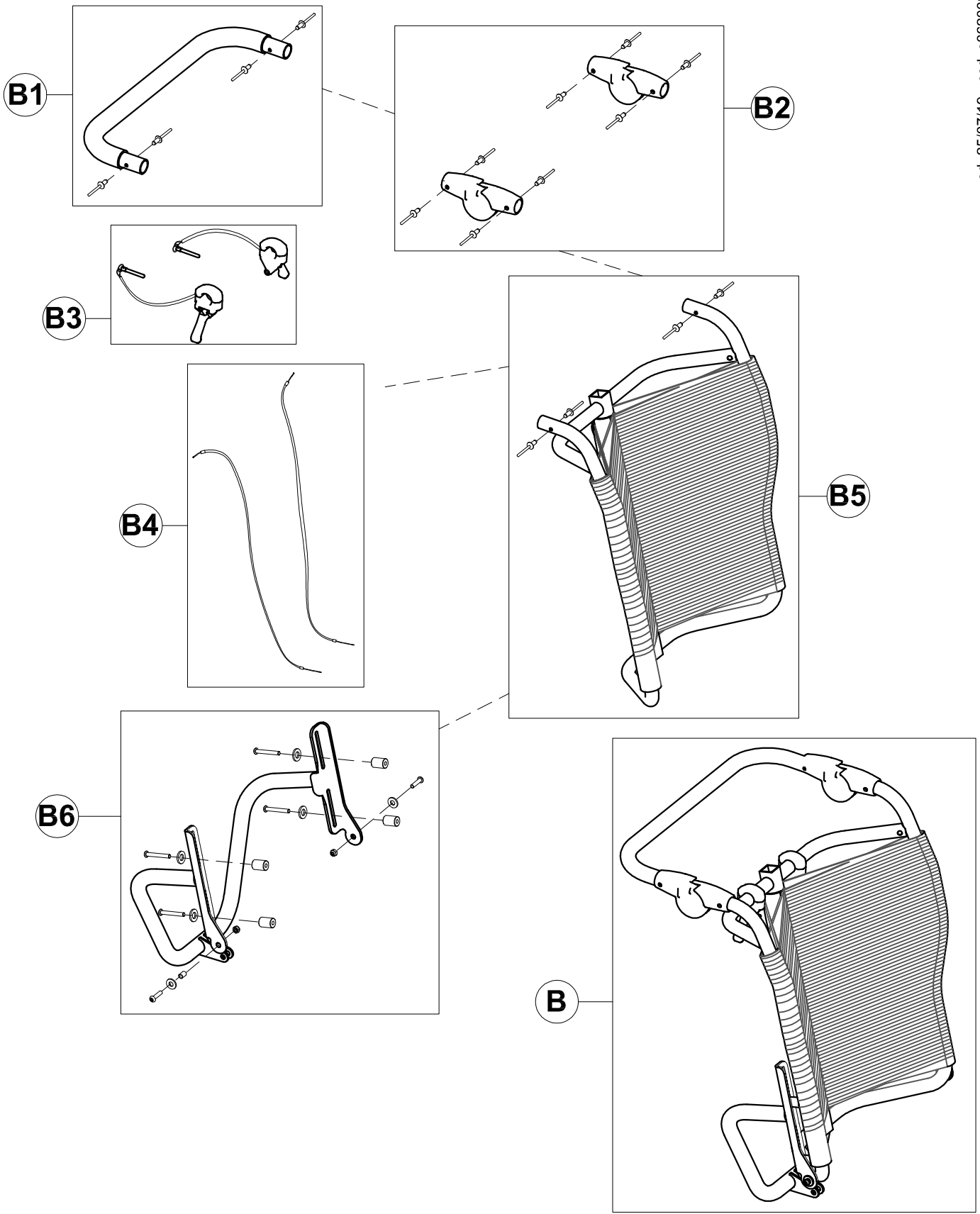
### Spare Parts HEADREST

**ORMEDA**

THIS DRAWING BELONGS TO ORMESA: IT IS FORBIDDEN TO REPRODUCE, CHANGE OR INFORM ANY THIRD PARTY ABOUT ITS CONTENTS

*Juditta*

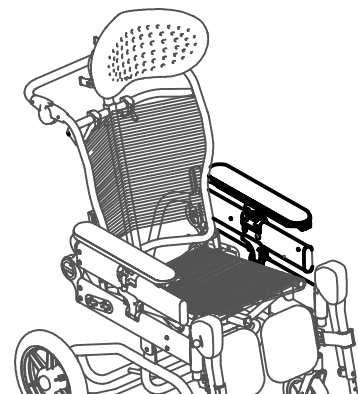
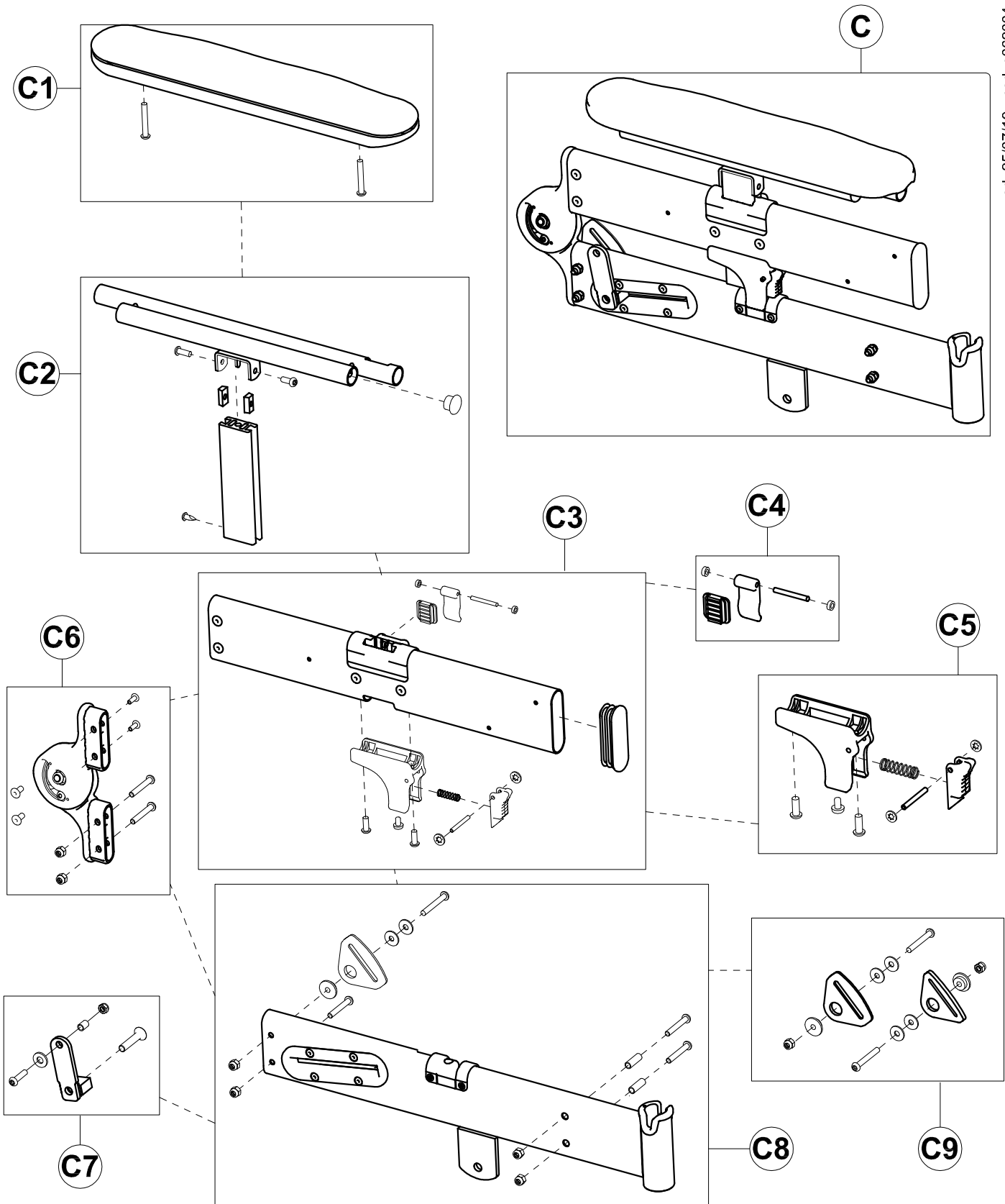




B	303130	COMPLETE BACKREST size-45 ( WHITE )	/ 303130N (BLACK)
B1	302551	COMPLETE PUSH HANDLE size-45	
B2	302553	PAIR OF PUSH HANDLE JOINTS WITH RIVET	
B3	302616	PAIR OF CONTROL LEVERS	
B4	302617	PAIR OF CONTROL CABLES	
B5	303127	BACKREST FRAME +ROPE size-45	/ 303127N (BLACK)
B6	302555	BACKREST SLIDING FRAME size-45	
POS.	PART NR.	DESCRIPTION	PART NR for BLACK JUDITTA

**Spare Parts BACKREST size-45**

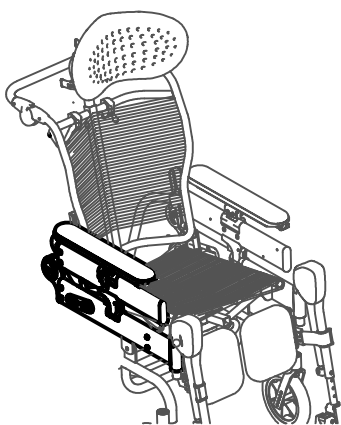
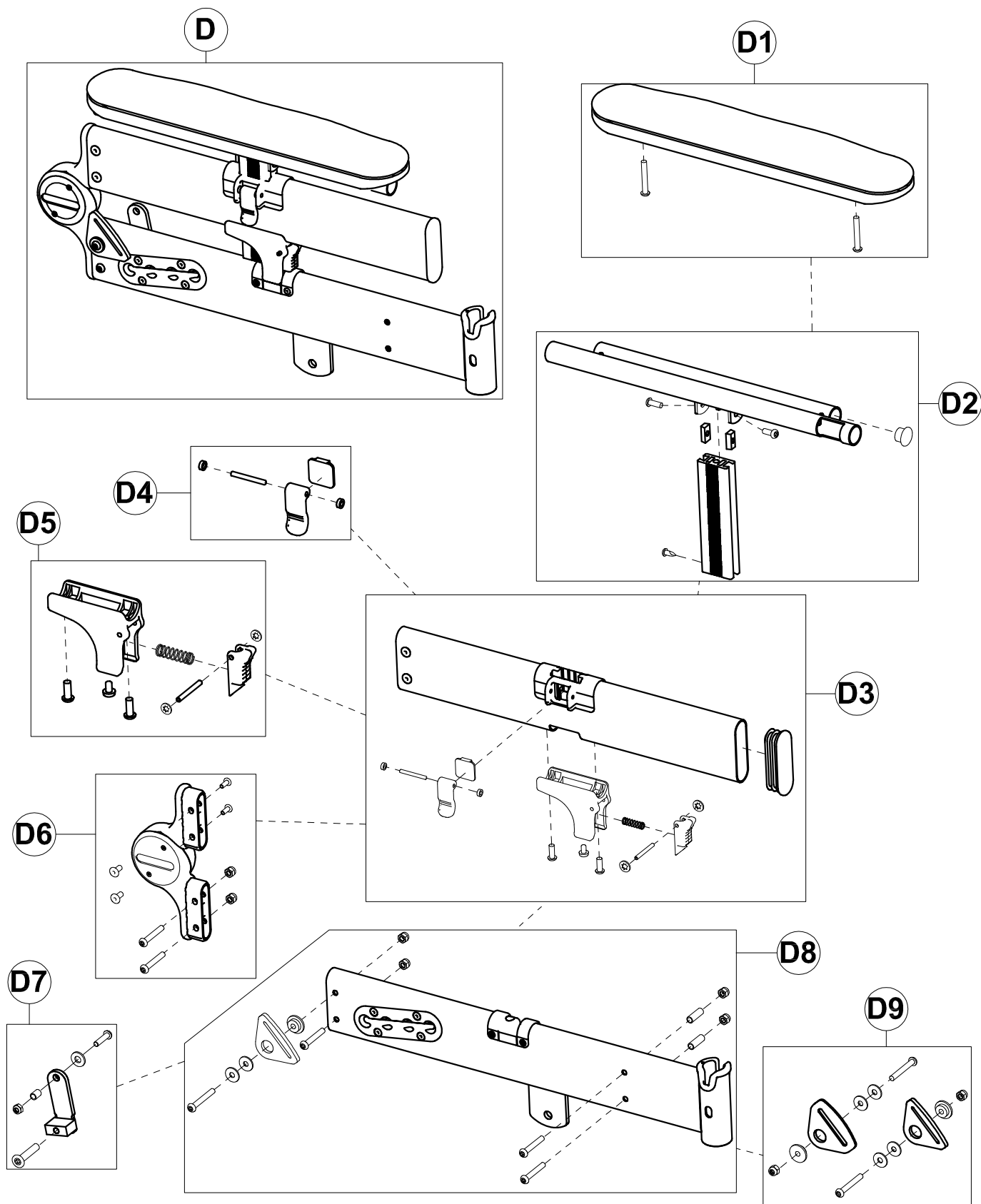




C	302530	LEFT SIDE AND ARM SUPPORT ( WHITE )	/ 302530N (BLACK)
C1	301124	PADDED ARM SUPPORT + SCREWS	
C2	302558	COMPLETE LEFT ARM SUPPORT FRAME	
C3	302560	COMPL. UPPER LEFT SIDE SUPPORT ( WHITE )	/ 302560N (BLACK)
C4	302562	ARM LOCKING LEVER KIT	
C5	302563	UPPER SIDE LOCKING LEVER KIT	
C6	302564	COMPLETE LEFT SIDES HINGE	
C7	302566	HINGE PLATE /BACKREST CURSOR	
C8	302567	COMPL. LOWER LEFT SIDE SUPPORT ( WHITE )	/ 302567N (BLACK)
C9	302850	PAIR OF BUCKLES OF THE 45°PELVIC HARNESS	
POS.	PART NR.	DESCRIPTION	PART NR for BLACK JUDITTA

Spare Parts LEFT SIDE and ARM SUPPORT





D	302529	RIGHT SIDE AND ARM SUPPORT ( WHITE )	/ 302529N ( BLACK )
D1	301124	PADDED ARM SUPPORT + SCREWS	
D2	302559	COMPLETE RIGHT ARM SUPPORT FRAME	
D3	302561	COMPL. UPPER RIGHT SIDE SUPPORT ( WHITE )	/ 302561N ( BLACK )
D4	302562	ARM LOCKING LEVER KIT	
D5	302563	UPPER SIDE LOCKING LEVER KIT	
D6	302565	COMPLETE RIGHT SIDES HINGE	
D7	302566	HINGE PLATE /BACKREST CURSOR	
D8	302568	COMPL. LOWER RIGHT SIDE SUPPORT ( WHITE )	/ 302568N ( BLACK )
D9	302850	PAIR OF BUCKLES OF THE 45°PELVIC HARNESS	

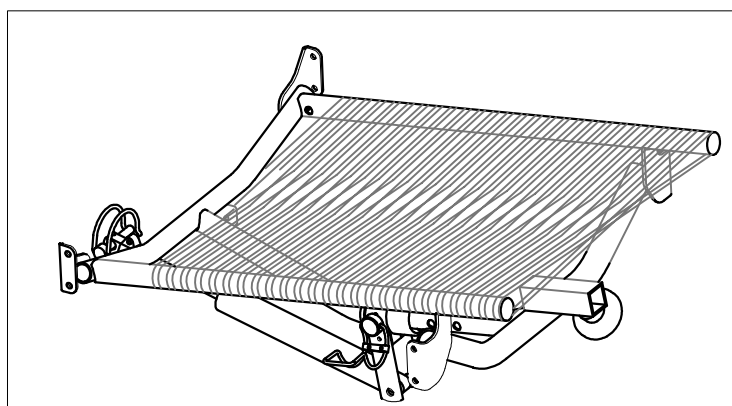
POS. PART NR. DESCRIPTION PART NR for BLACK JUDITTA

## Spare Parts RIGHT SIDE and ARM SUPPORT

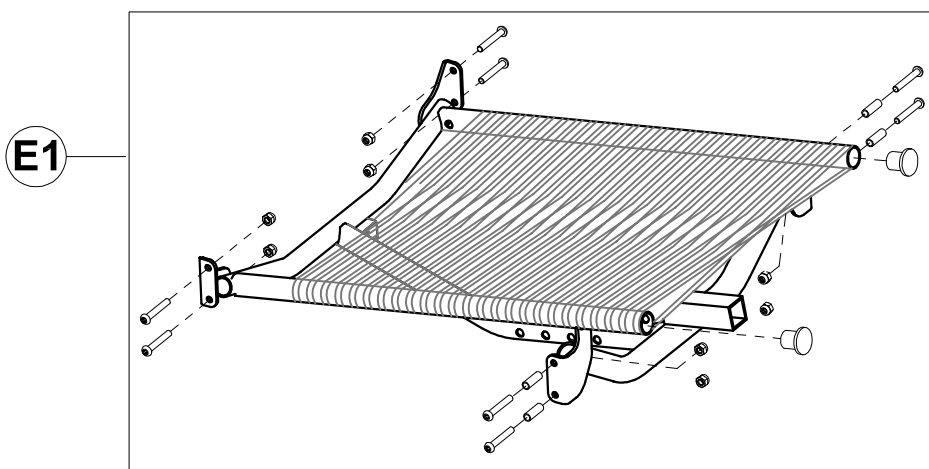
pag. 5

**ORMESA**

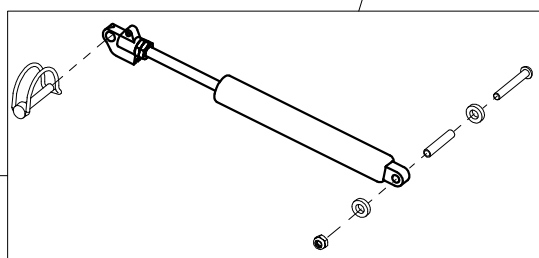
*Juditta*



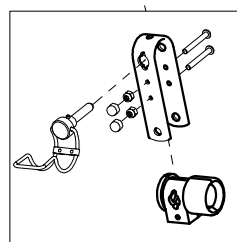
E



E1



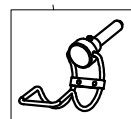
E2



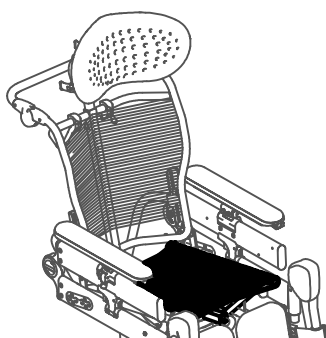
E3



E4

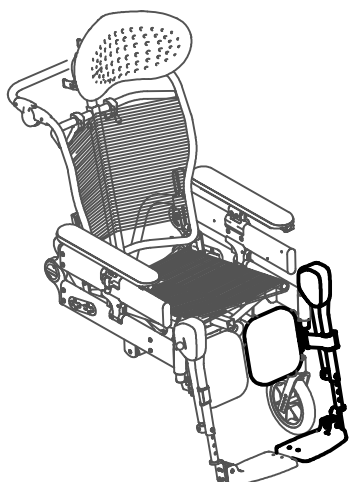
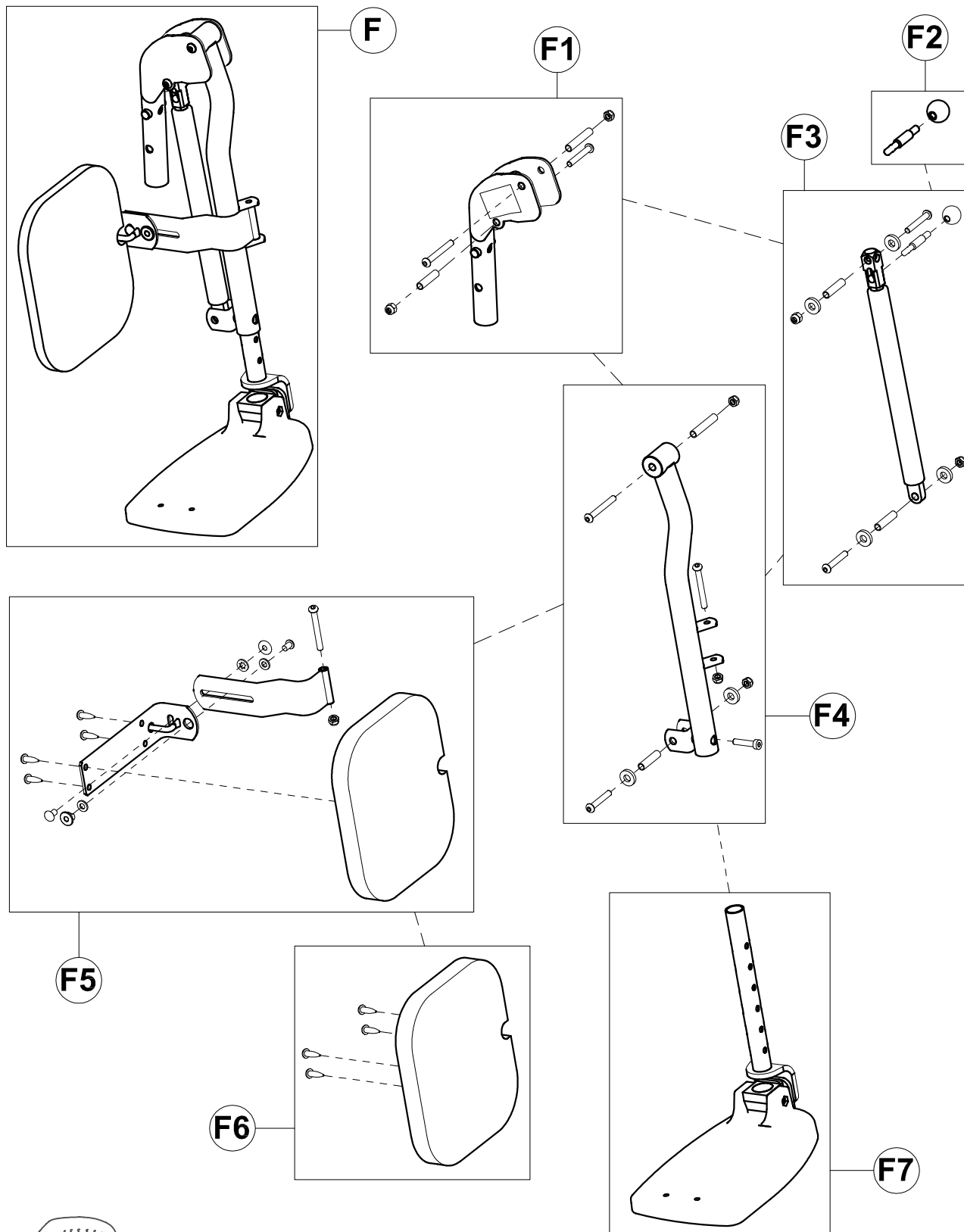


E5



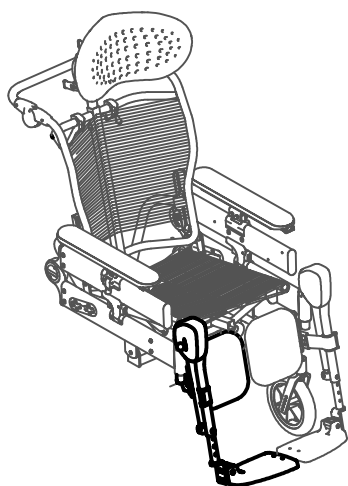
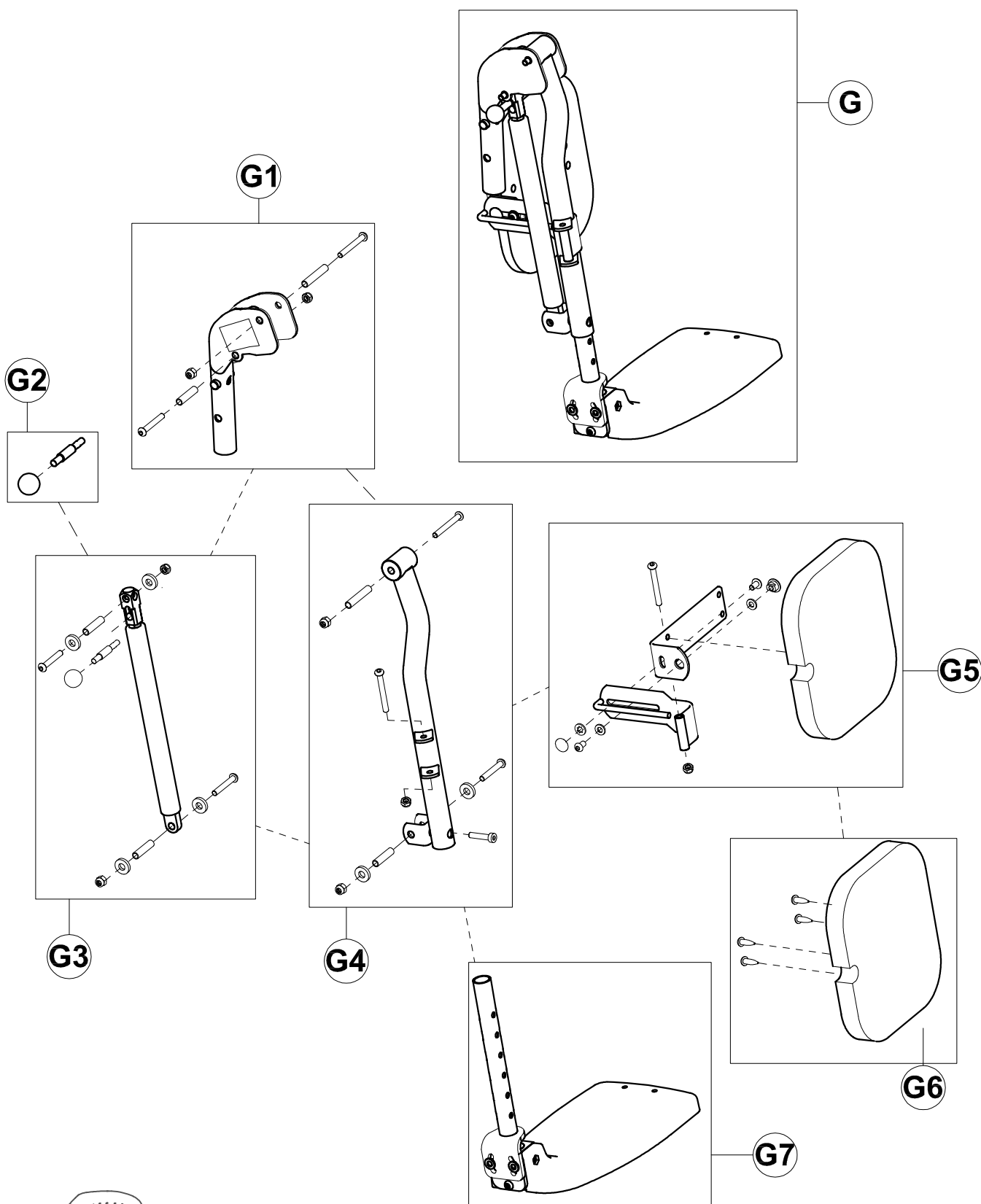
E	302532	COMPLETE SEAT size-45 (WHITE)	/ 302532N (BLACK)
E1	302739	SEAT FRAME +ROPE size-45	/ 302742N (BLACK)
E2	302569	BACKREST GAS SPRING + SCREWS	
E3	302570	GAS SPRING SLIDING FORK	
E4	20761	GAS SPRING SAFETY PIN	
E5	302482	GAS SPRING ADJUSTING PIN	
POS.	PART NR.	DESCRIPTION	PART NR for BLACK JUDITTA

### Spare Parts SEAT size 45



F	302523	LEFT LEGREST size-45
F1	302572	LEGREST JOINT
F2	302573	KNOB+LEVER for LEGREST GAS SPRING
F3	302578	LEGREST GAS SPRING + SCREWS
F4	302574	LEFT LEGREST FRAME + SCREWS
F5	302576S	LEFT CALFREST+ FRAME size-45
F6	302580S	LEFT CALFREST (UPHOLSTERY+ SCREWS) size-45
F7	302584	LEFT FOOTREST+ VERTICAL BAR size-45
POS.	PART NR.	DESCRIPTION

### Spare Parts LEFT LEGREST size-45



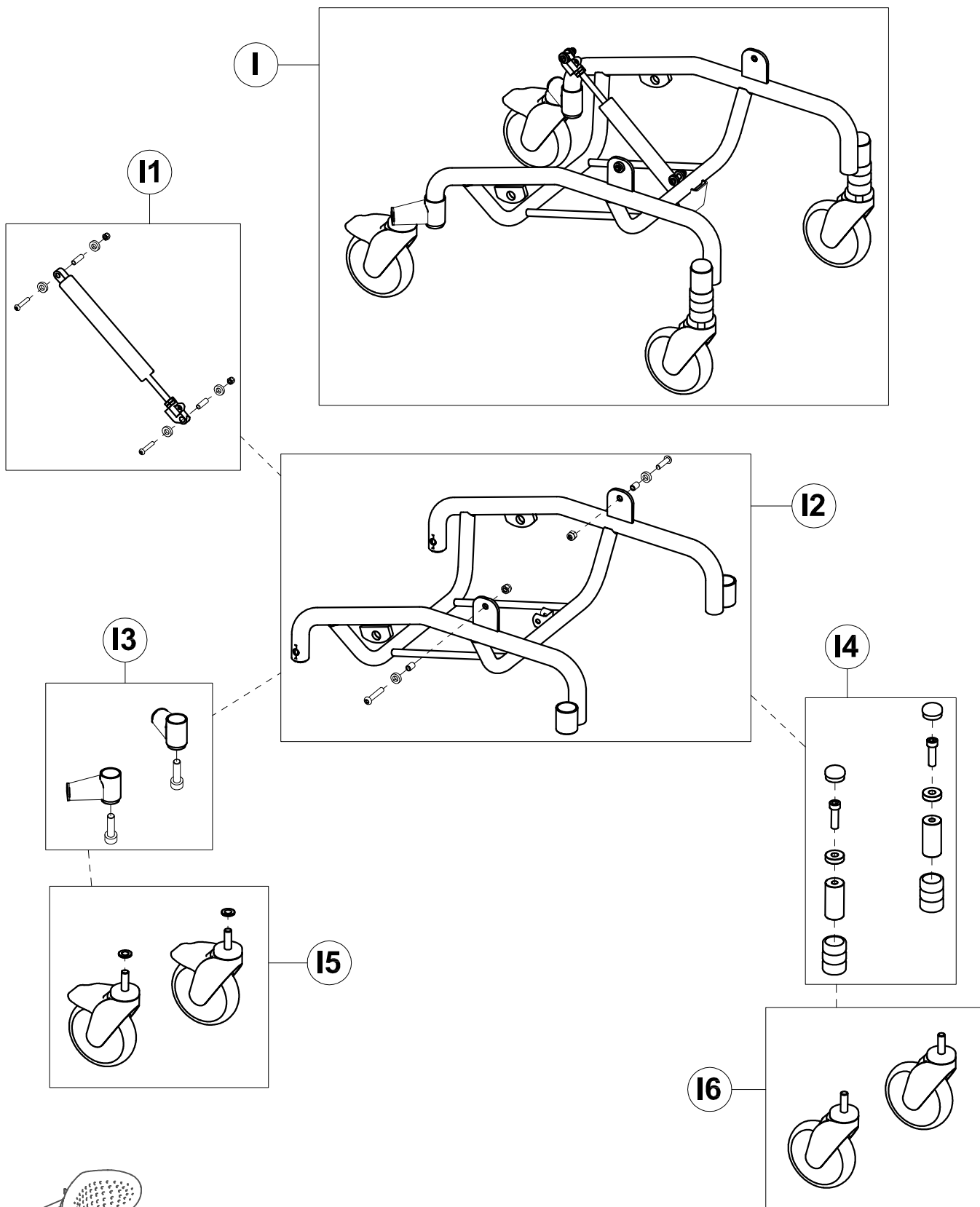
G	302522	RIGHT LEGREST size-45
G1	302572	LEGREST JOINT
G2	302573	KNOB+LEVER for LEGREST GAS SPRING
G3	302578	LEGREST GAS SPRING + SCREWS
G4	302588	RIGHT LEGREST FRAME + SCREWS
G5	302576	RIGHT CALFREST+ FRAME size-45
G6	302580	RIGHT CALFREST (UPHOLSTERY+ SCREWS) size-45
G7	302585	RIGHT FOOTREST+ VERTICAL BAR size-45
POS.	PART NR.	DESCRIPTION

Spare Parts RIGHT LEGREST size-45

**ORMEDA**

THIS DRAWING BELONGS TO ORMESA: IT IS FORBIDDEN TO REPRODUCE, CHANGE OR INFORM ANY THIRD PARTY ABOUT ITS CONTENTS

*Juditta*



I	302519	BASE WITH WHEELS size-45 B12 ( WHITE )	/ 302519N (BLACK)
11	302589	TILTING GAS SPRING + SCREW	
12	302595	BASE FRAME + SCREWS size-45 ( WHITE )	/ 302595N (BLACK)
13	302600	B12 WHEEL HUBS	
14	302601	LEFT-RIGHT SUPPORTS KIT OF THE FRONT WHEELS	
15	302038	B12 REAR WHEELS	
16	302039	B12 FRONT WHEELS	

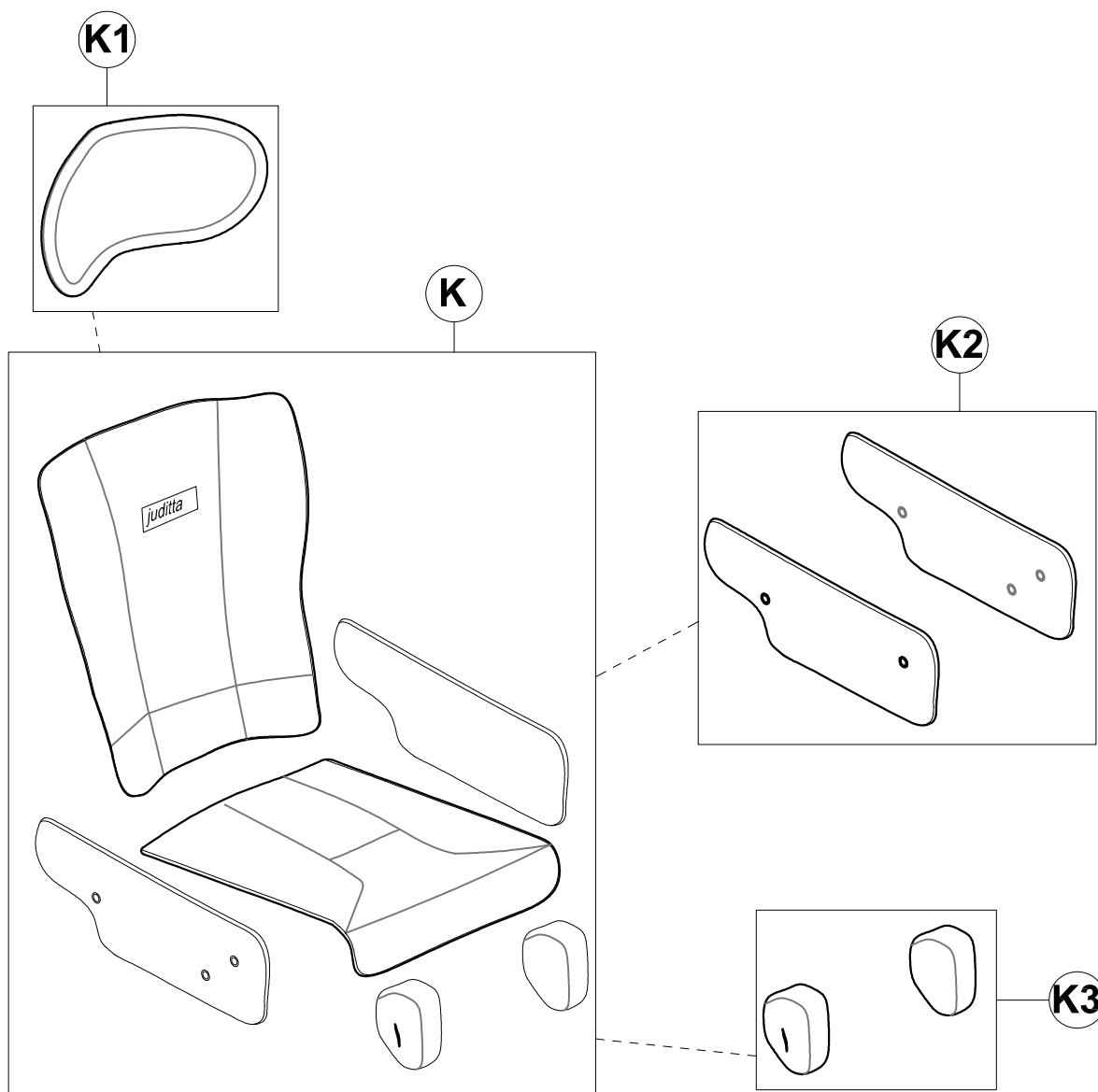
POS. PART NR. DESCRIPTION PART NR for BLACK JUDITTA

Spare Parts BASE WITH WHEELS size-45 B12

pag. 9

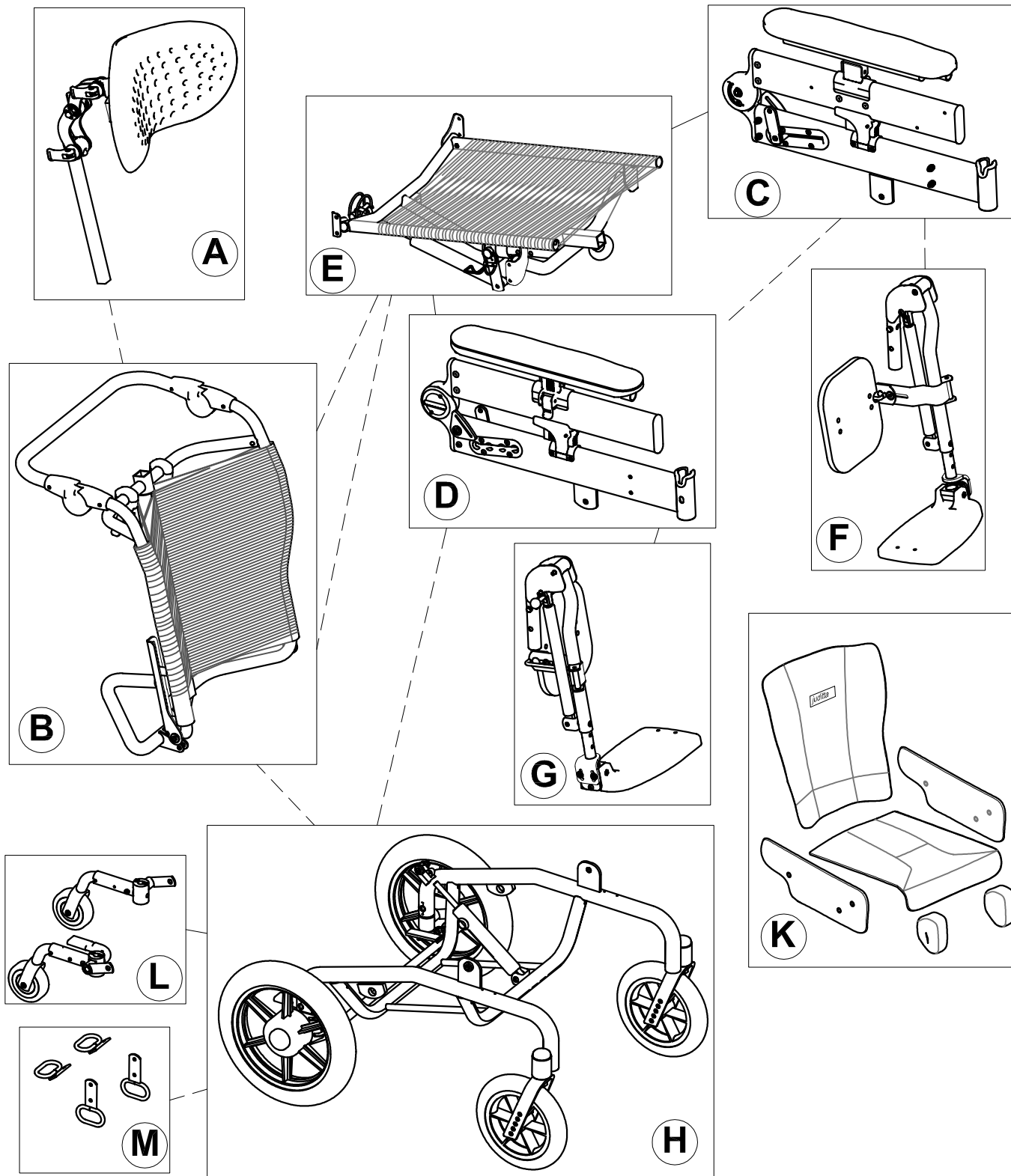
**ORMESA**

**Juditte**



	171656	LIGHT GREY UPHOLSTERY SIZE-45
K	171654	DARK GREY UPHOLSTERY SIZE-45
	100770	938-45 UPHOLSTERY (WATERPROOF)
	100127	936 JUDITTA HEADREST COVER LIGHT GREY
K1	100126	936 JUDITTA HEADREST COVER DARK GREY
	100121M	936 JUDITTA HEADREST COVER (WATERPROOF)
K2	171470	UPHOLSTERY SIDES size-40-45-50
K3	171461	UPHOLSTERY LEGREST HINGE
POS.	PART NR.	DESCRIPTION

### Spare Parts UPHOLSTERY size 45



A	302970	COMPLETE HEADREST	
B	303130	COMPLETE BACKREST size-45 ( WHITE )	/ 303130N (BLACK)
C	302530	LEFT SIDE AND ARM SUPPORT ( WHITE )	/ 302530N (BLACK)
D	302529	RIGHT SIDE AND ARM SUPPORT ( WHITE )	/ 302529N (BLACK)
E	302532	COMPLETE SEAT size-45 ( WHITE )	/ 302532N (BLACK)
F	302523	LEFT LEGREST size-45	
G	302522	RIGHT LEGREST size-45	
H	303133	BASE WITH WHEELS size-45 B30 ( WHITE )	/ 303133N (BLACK)
K	171656	LIGHT GREY UPHOLSTERY SIZE-45	
	171654	DARK GREY UPHOLSTERY SIZE 45	
L	102994	932 ANTI TIP DEVICE JUDITTA B30	
M	102978	891- SET OF 4 TIE DOWN HOOKS	

POS. PART NR. DESCRIPTION PART NR for BLACK JUDITTA

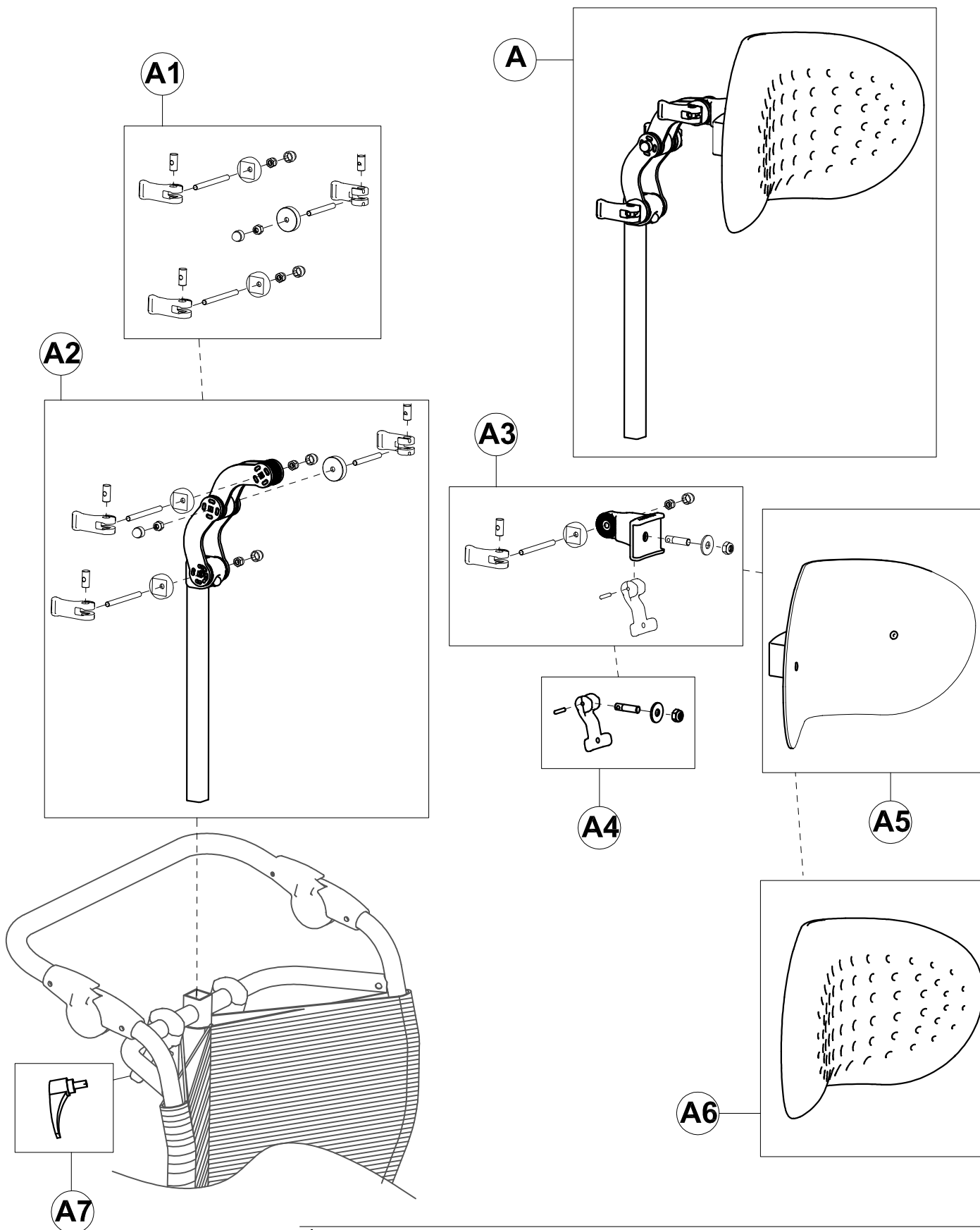
### Spare Parts JUDITTA B30 size 45

pag. 1



**ORMESA**

**Juditte**



A	302970	COMPLETE HEADREST
A1	303257	HEADREST KNOB + JOINT SCREW
A2	303258	HEADREST VERTICAL FRAME WITH JOINT
A3	303259	HEADREST JOINT ATTACK WITH LEVER
A4	303260	HEADREST SLIDING LEVER
A5	302609	HEADREST SHEET METALE
A6	16486	HEADREST ANTIBACTERIAL COATING
A7	14066	ADJUSTABLE HANDLE
POS.	PART NR.	DESCRIPTION

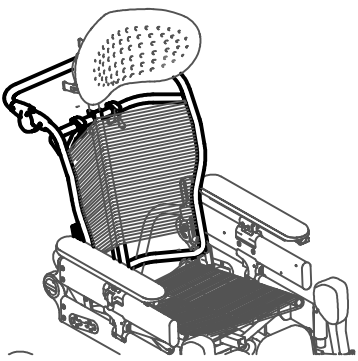
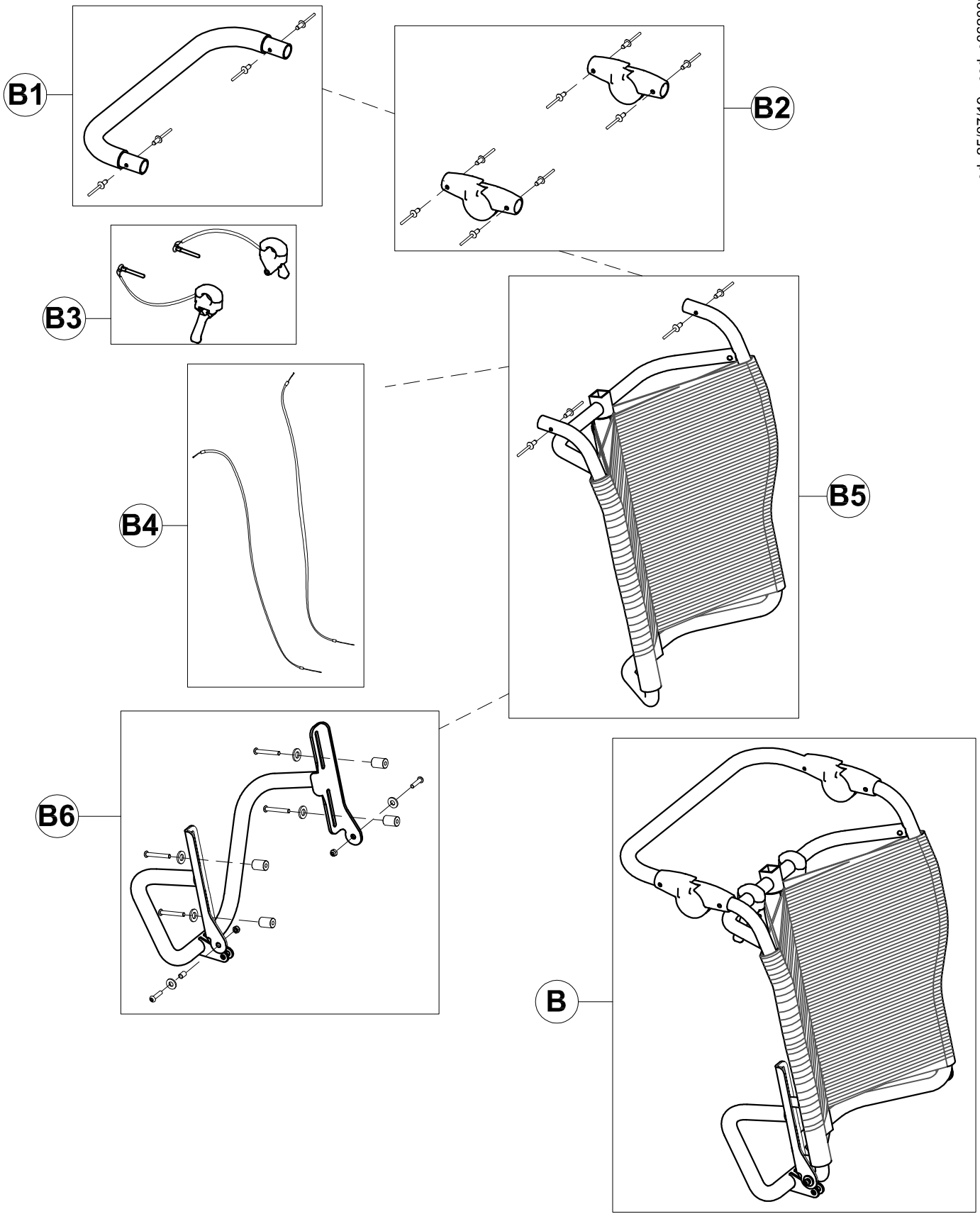
### Spare Parts HEADREST

**ORMEDA**

THIS DRAWING BELONGS TO ORMESA: IT IS FORBIDDEN TO REPRODUCE, CHANGE OR INFORM ANY THIRD PARTY ABOUT ITS CONTENTS

*Juditta*

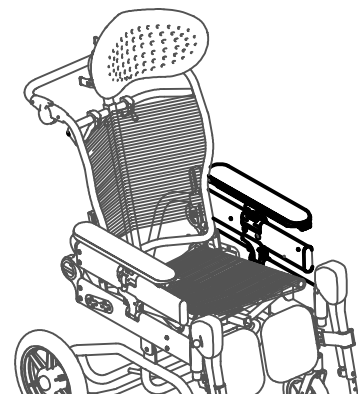
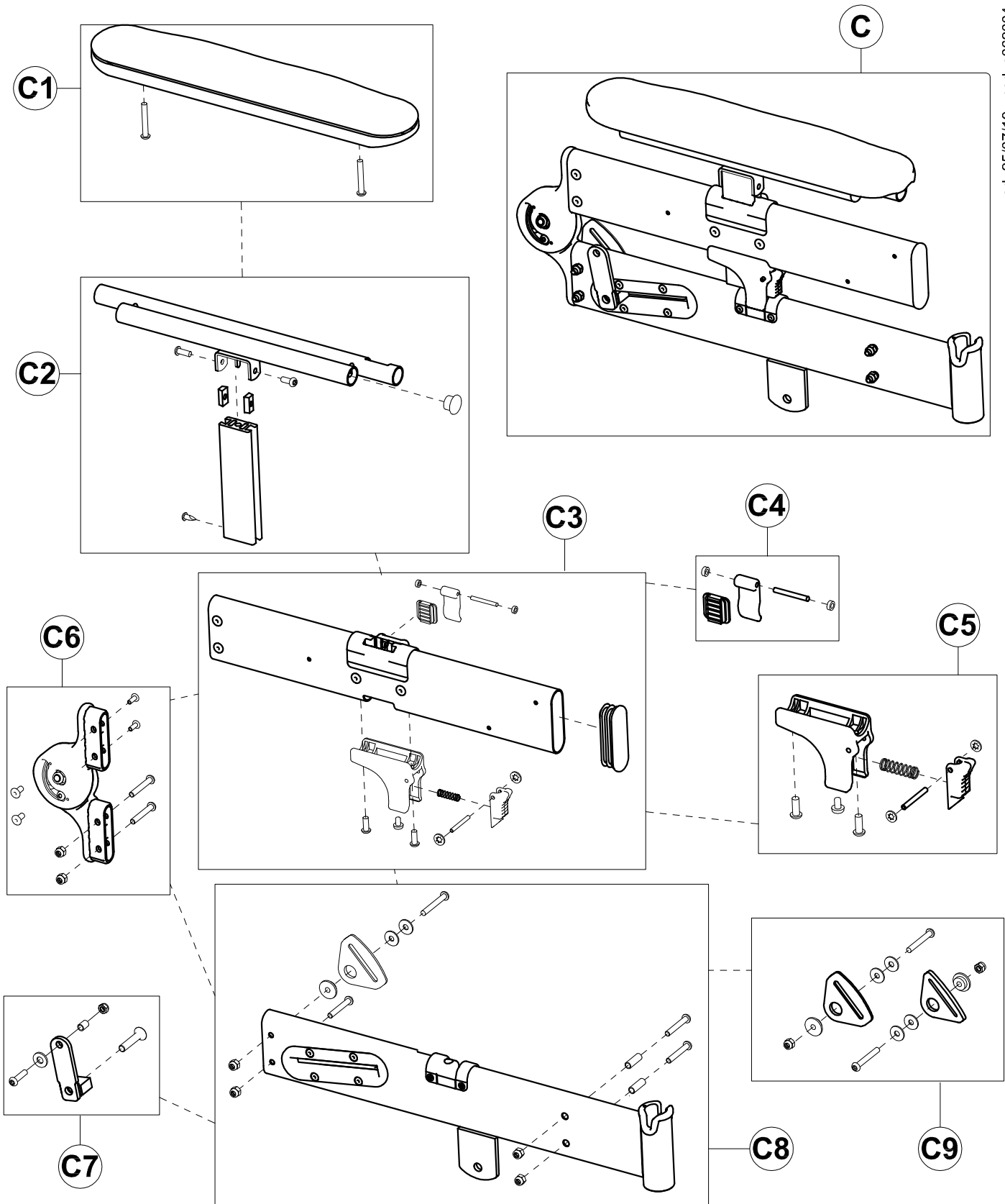




B	303130	COMPLETE BACKREST size-45 ( WHITE )	/ 303130N (BLACK)
B1	302551	COMPLETE PUSH HANDLE size-45	
B2	302553	PAIR OF PUSH HANDLE JOINTS WITH RIVET	
B3	302616	PAIR OF CONTROL LEVERS	
B4	302617	PAIR OF CONTROL CABLES	
B5	303127	BACKREST FRAME +ROPE size-45	/ 303127N (BLACK)
B6	302555	BACKREST SLIDING FRAME size-45	
POS.	PART NR.	DESCRIPTION	PART NR for BLACK JUDITTA

**Spare Parts BACKREST size-45**

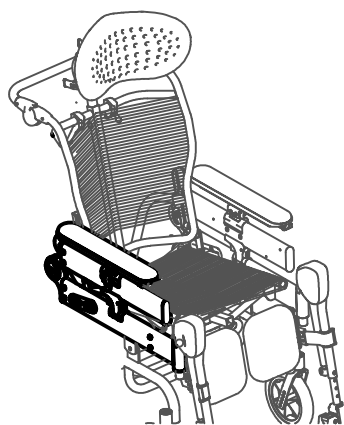
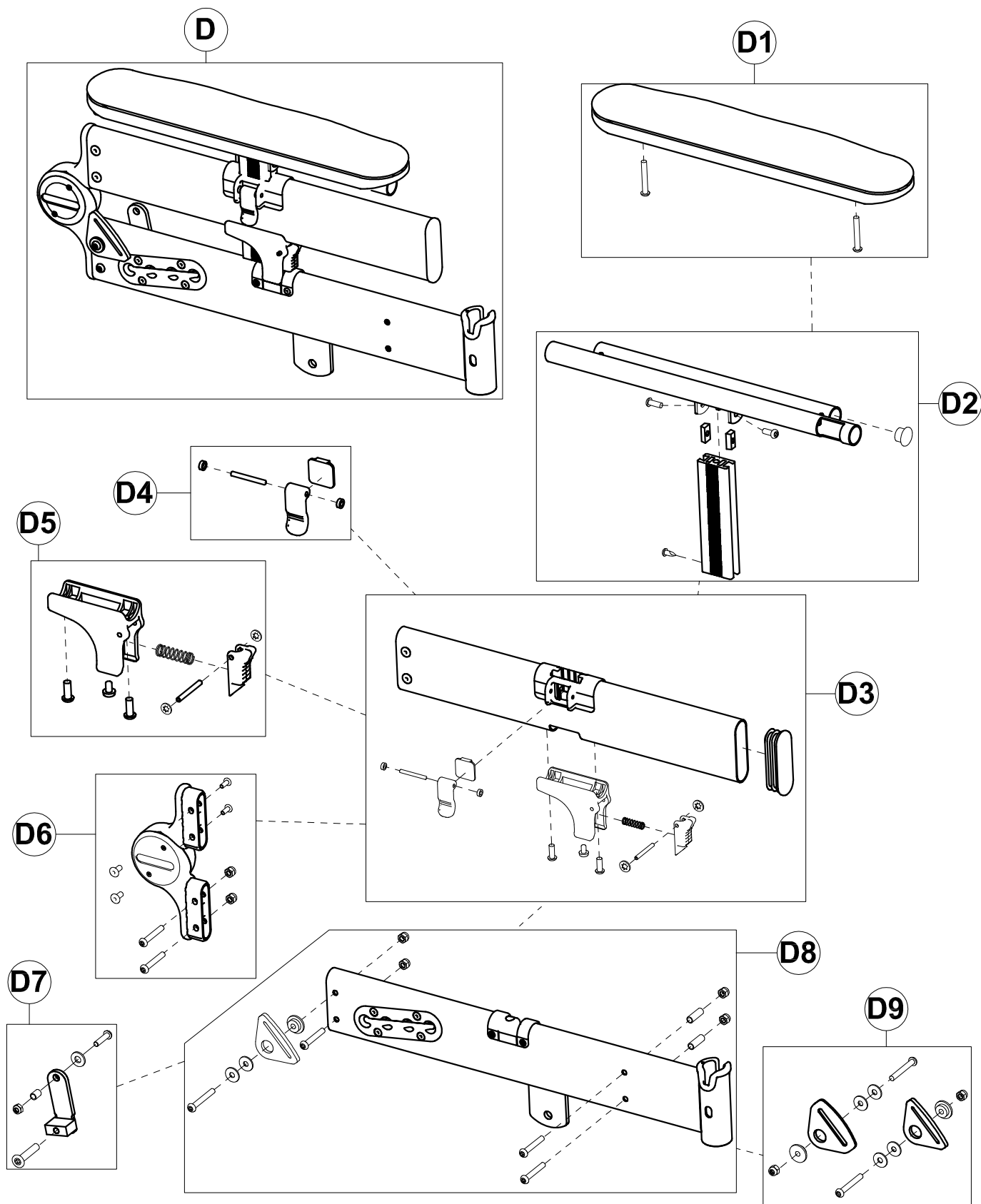




C	302530	LEFT SIDE AND ARM SUPPORT ( WHITE )	/ 302530N (BLACK)
C1	301124	PADDED ARM SUPPORT + SCREWS	
C2	302558	COMPLETE LEFT ARM SUPPORT FRAME	
C3	302560	COMPL. UPPER LEFT SIDE SUPPORT ( WHITE )	/ 302560N (BLACK)
C4	302562	ARM LOCKING LEVER KIT	
C5	302563	UPPER SIDE LOCKING LEVER KIT	
C6	302564	COMPLETE LEFT SIDES HINGE	
C7	302566	HINGE PLATE /BACKREST CURSOR	
C8	302567	COMPL. LOWER LEFT SIDE SUPPORT ( WHITE )	/ 302567N (BLACK)
C9	302850	PAIR OF BUCKLES OF THE 45°PELVIC HARNESS	
POS.	PART NR.	DESCRIPTION	PART NR for BLACK JUDITTA

Spare Parts LEFT SIDE and ARM SUPPORT





D	302529	RIGHT SIDE AND ARM SUPPORT ( WHITE )	/ 302529N ( BLACK )
D1	301124	PADDED ARM SUPPORT + SCREWS	
D2	302559	COMPLETE RIGHT ARM SUPPORT FRAME	
D3	302561	COMPL. UPPER RIGHT SIDE SUPPORT ( WHITE )	/ 302561N ( BLACK )
D4	302562	ARM LOCKING LEVER KIT	
D5	302563	UPPER SIDE LOCKING LEVER KIT	
D6	302565	COMPLETE RIGHT SIDES HINGE	
D7	302566	HINGE PLATE /BACKREST CURSOR	
D8	302568	COMPL. LOWER RIGHT SIDE SUPPORT ( WHITE )	/ 302568N ( BLACK )
D9	302850	PAIR OF BUCKLES OF THE 45°PELVIC HARNESS	

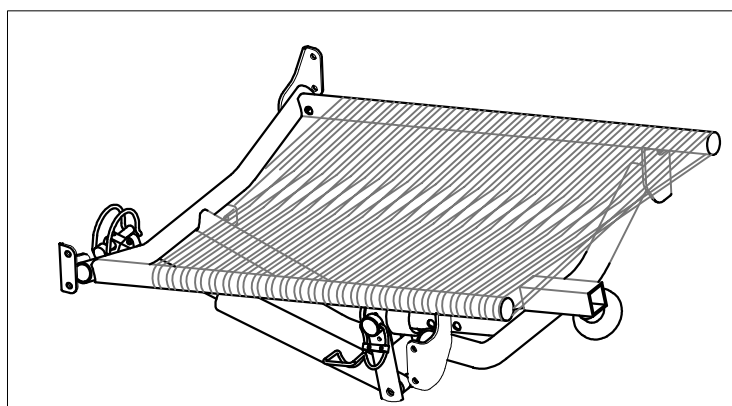
POS. PART NR. DESCRIPTION PART NR for BLACK JUDITTA

## Spare Parts RIGHT SIDE and ARM SUPPORT

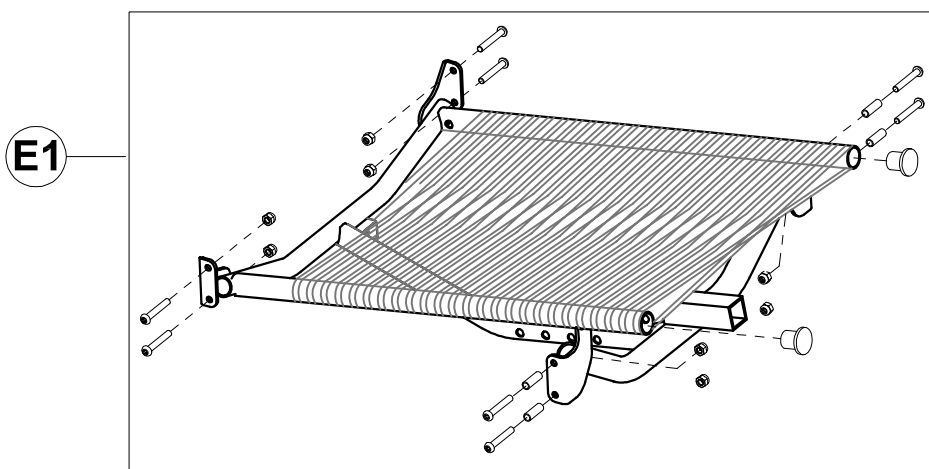
pag. 5

**ORMESA**

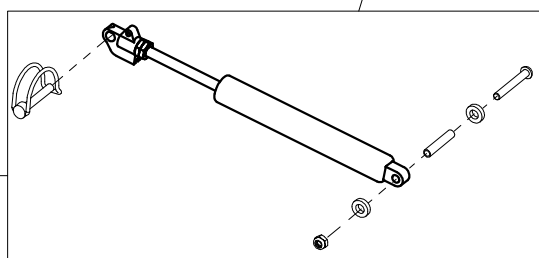
*Juditta*



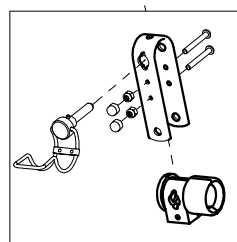
E



E1



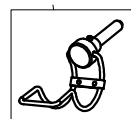
E2



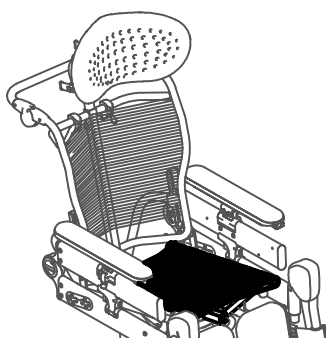
E3



E4

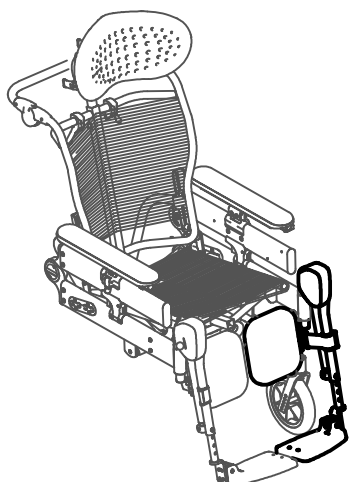
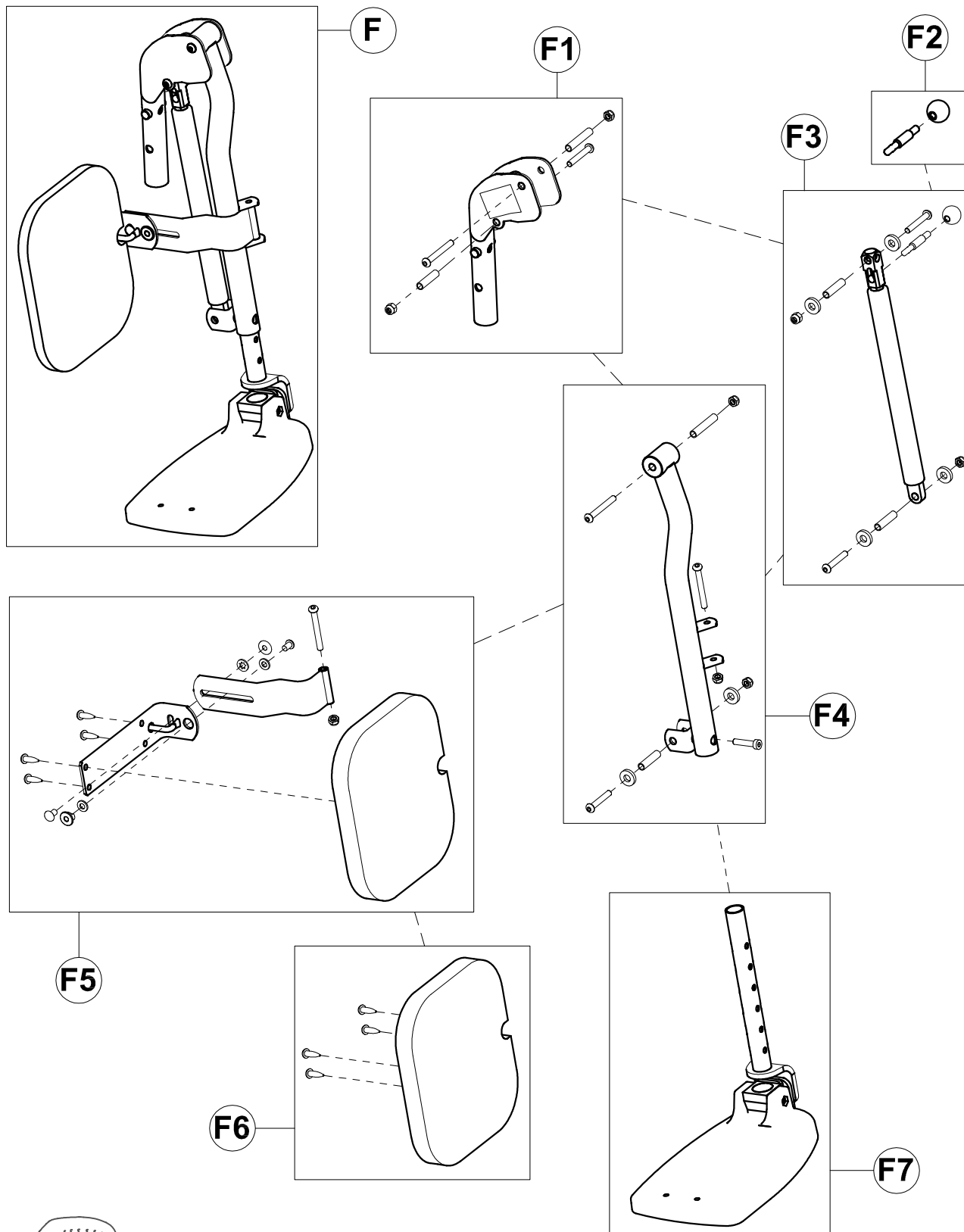


E5



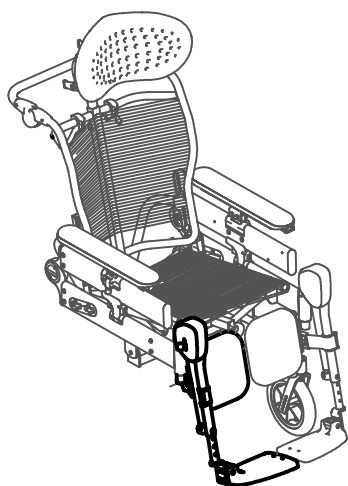
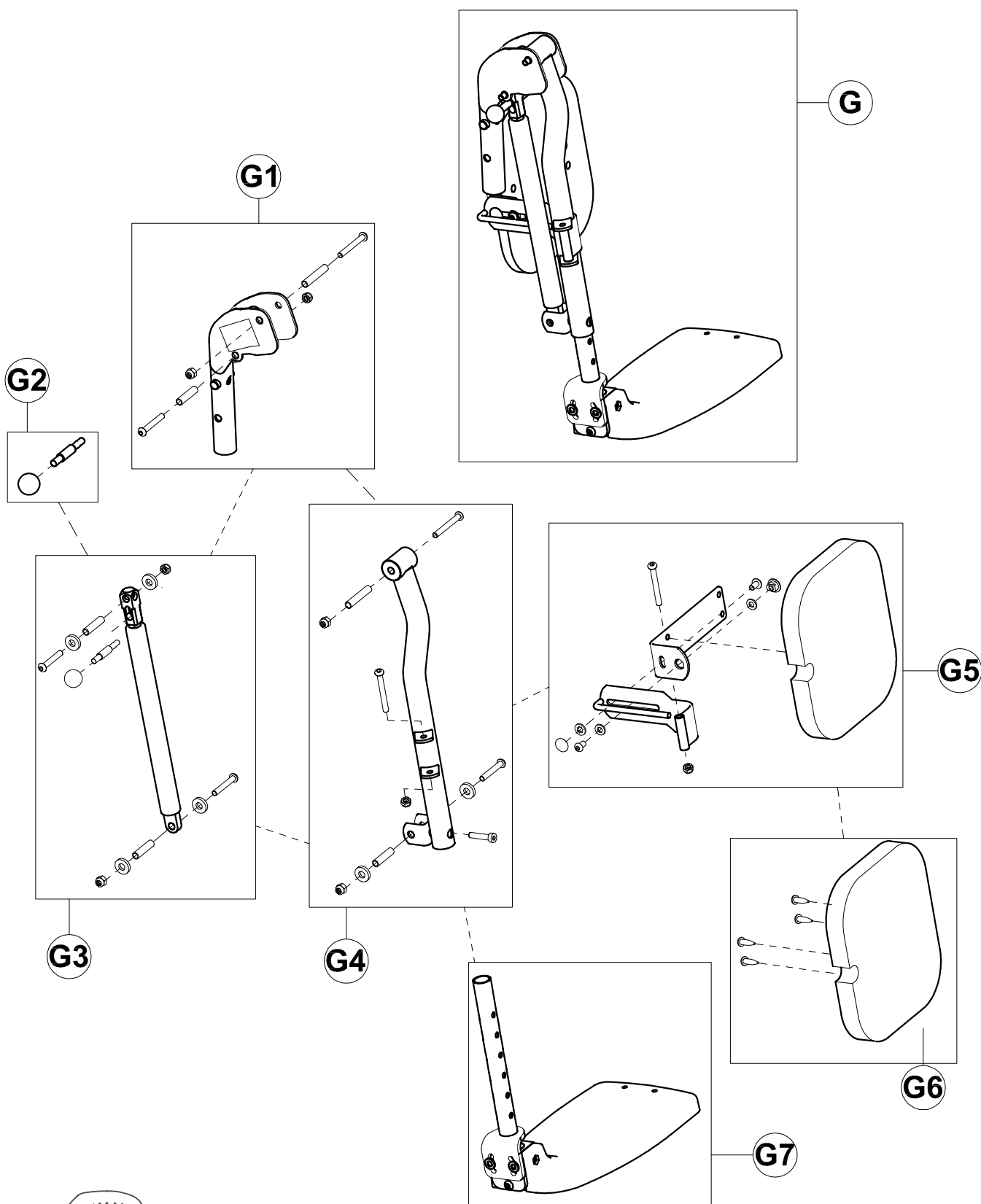
E	302532	COMPLETE SEAT size-45 (WHITE)	/ 302532N (BLACK)
E1	302739	SEAT FRAME +ROPE size-45	/ 302742N (BLACK)
E2	302569	BACKREST GAS SPRING + SCREWS	
E3	302570	GAS SPRING SLIDING FORK	
E4	20761	GAS SPRING SAFETY PIN	
E5	302482	GAS SPRING ADJUSTING PIN	
POS.	PART NR.	DESCRIPTION	PART NR for BLACK JUDITTA

### Spare Parts SEAT size 45



F	302523	LEFT LEGREST size-45
F1	302572	LEGREST JOINT
F2	302573	KNOB+LEVER for LEGREST GAS SPRING
F3	302578	LEGREST GAS SPRING + SCREWS
F4	302574	LEFT LEGREST FRAME + SCREWS
F5	302576S	LEFT CALFREST+ FRAME size-45
F6	302580S	LEFT CALFREST (UPHOLSTERY+ SCREWS) size-45
F7	302584	LEFT FOOTREST+ VERTICAL BAR size-45
POS.	PART NR.	DESCRIPTION

### Spare Parts LEFT LEGREST size-45



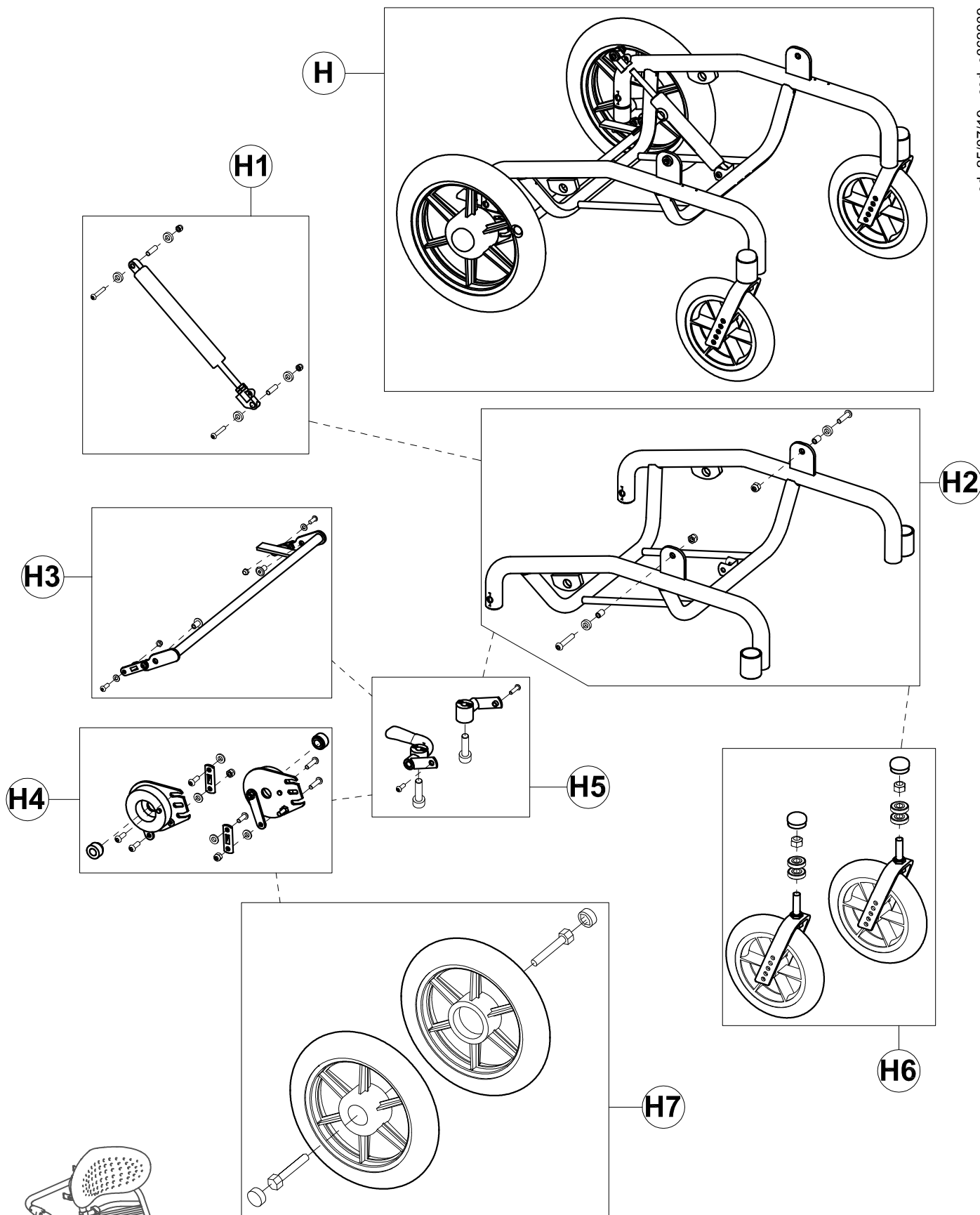
G	302522	RIGHT LEGREST size-45
G1	302572	LEGREST JOINT
G2	302573	KNOB+LEVER for LEGREST GAS SPRING
G3	302578	LEGREST GAS SPRING + SCREWS
G4	302588	RIGHT LEGREST FRAME + SCREWS
G5	302576	RIGHT CALFREST+ FRAME size-45
G6	302580	RIGHT CALFREST (UPHOLSTERY+ SCREWS) size-45
G7	302585	RIGHT FOOTREST+ VERTICAL BAR size-45
POS.	PART NR.	DESCRIPTION

Spare Parts RIGHT LEGREST size-45

**ORMEDA**

THIS DRAWING BELONGS TO ORMESA: IT IS FORBIDDEN TO REPRODUCE, CHANGE OR INFORM ANY THIRD PARTY ABOUT ITS CONTENTS

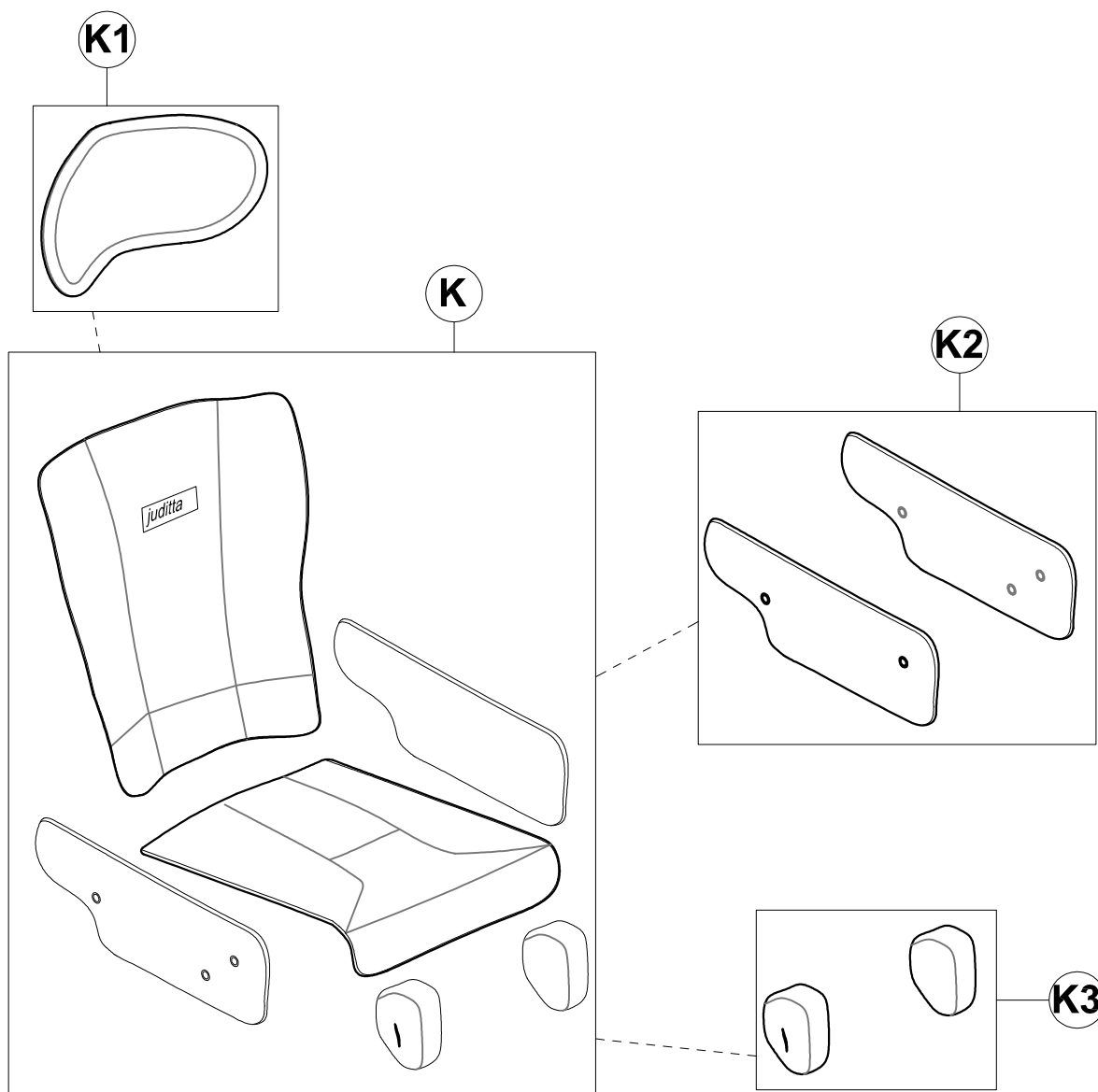
*Juditta*



H	303133	BASE WITH WHEELS size-45 B30 ( WHITE ) / 303133N (BLACK)
H1	302589	TILTING GAS SPRING + SCREW
H2	302595	BASE FRAME + SCREWS size-45 ( WHITE ) / 302595N (BLACK)
H3	303163	BRAKE FRAME + PLATES AND SCREWS size-45
H4	302593	RIGHT-LEFT BRAKE BLOCK + SCREWS
H5	302597	WHEEL B30 HUBS
H6	302598	FRONT WHEELS B30-B60
H7	302599	PAIR OF REAR WHEELS B30

POS. PART NR. DESCRIPTION PART NR for BLACK JUDITTA

### Spare Parts BASE WITH WHEELS size-45 B30



	171656	LIGHT GREY UPHOLSTERY SIZE-45
K	171654	DARK GREY UPHOLSTERY SIZE-45
	100770	938-45 UPHOLSTERY (WATERPROOF)
	100127	936 JUDITTA HEADREST COVER LIGHT GREY
K1	100126	936 JUDITTA HEADREST COVER DARK GREY
	100121M	936 JUDITTA HEADREST COVER (WATERPROOF)
K2	171470	UPHOLSTERY SIDES size-40-45-50
K3	171461	UPHOLSTERY LEGREST HINGE
POS.	PART NR.	DESCRIPTION

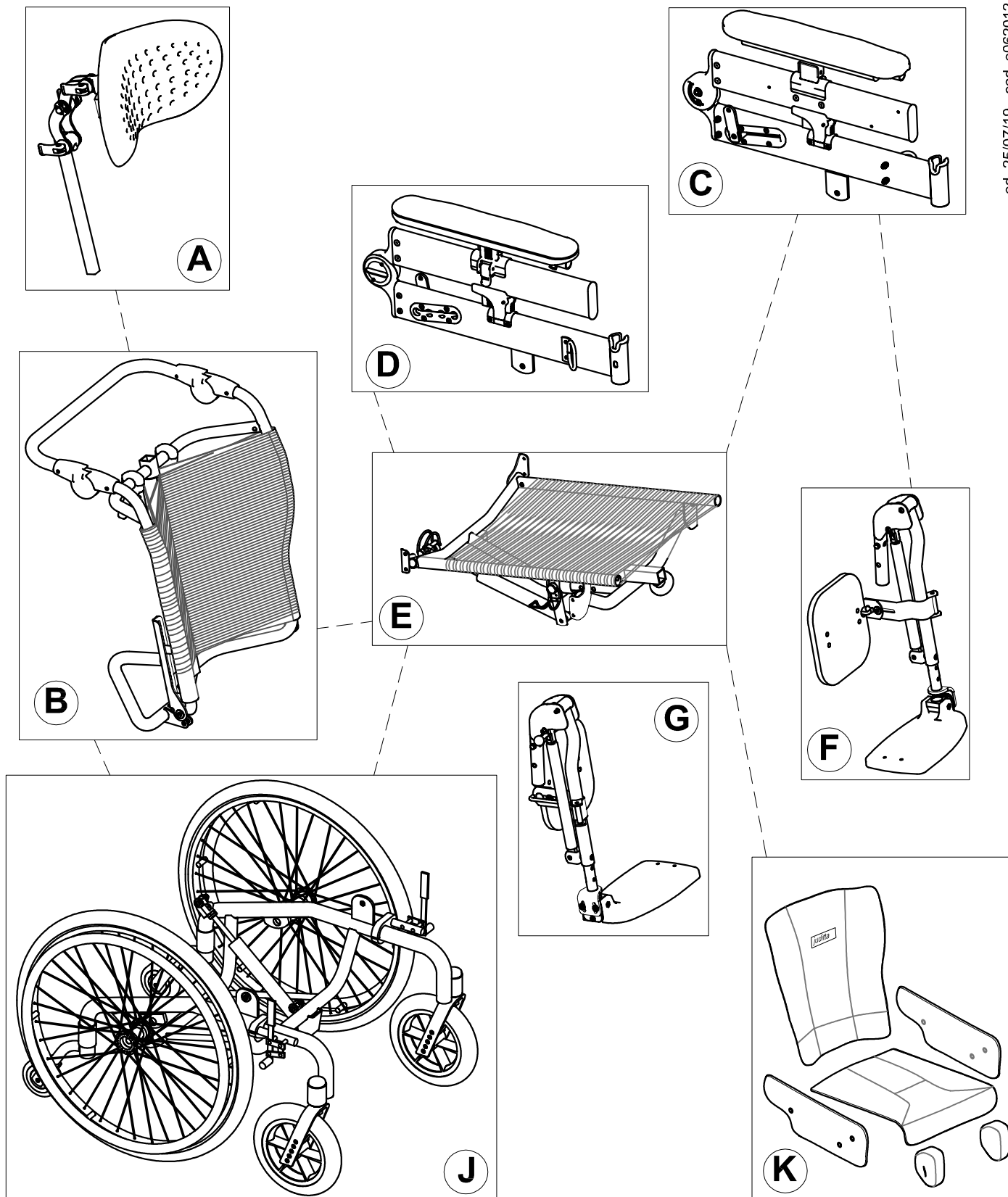
### Spare Parts UPHOLSTERY size 45

pag. 10

**ORMEDA**

*Juditta*

THIS DRAWING BELONGS TO ORMESA: IT IS FORBIDDEN TO REPRODUCE, CHANGE OR INFORM ANY THIRD PARTY ABOUT ITS CONTENTS



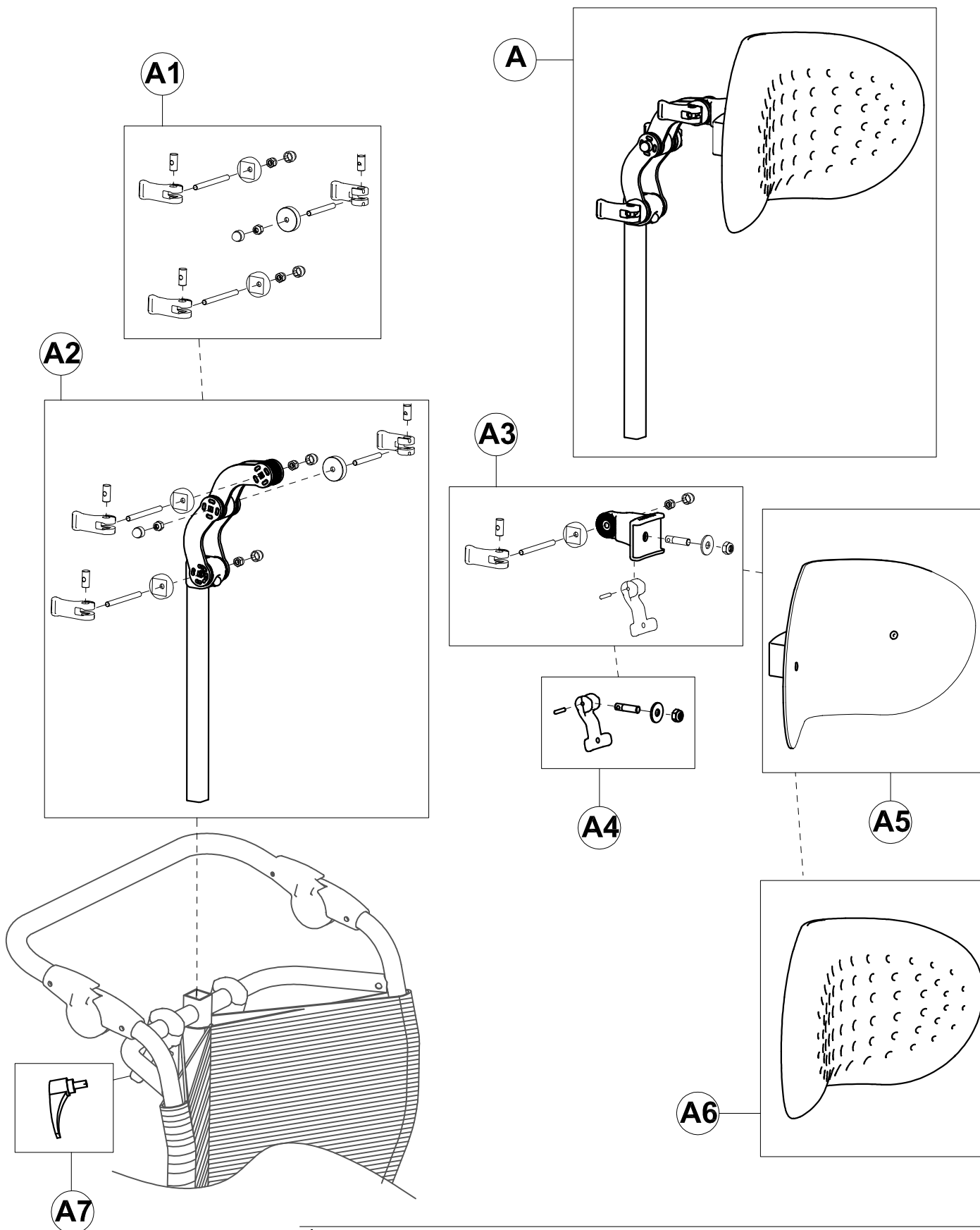
A	302970	COMPLETE HEADREST	
B	303130	COMPLETE BACKREST size-45 ( WHITE )	/ 303130N (BLACK)
C	302530	LEFT SIDE AND ARM SUPPORT ( WHITE )	/ 302530N (BLACK)
D	302529	RIGHT SIDE AND ARM SUPPORT ( WHITE )	/ 302529N (BLACK)
E	302532	COMPLETE SEAT size-45 ( WHITE )	/ 302532N (BLACK)
F	302523	LEFT LEGREST size-45	
G	302522	RIGHT LEGREST size-45	
J	302527	BASE WITH WHEELS size-45 B60 ( WHITE )	/ 302527N (BLACK)
K	171656	LIGHT GREY UPHOLSTERY SIZE-45	
	171654	DARK GREY UPHOLSTERY SIZE 45	
POS.	PART NR.	DESCRIPTION	PART NR for BLACK JUDITTA

### Spare Parts JUDITTA B60 size 45

pag. 1

**ORMESA**

**Juditta**



A	302970	COMPLETE HEADREST
A1	303257	HEADREST KNOB + JOINT SCREW
A2	303258	HEADREST VERTICAL FRAME WITH JOINT
A3	303259	HEADREST JOINT ATTACK WITH LEVER
A4	303260	HEADREST SLIDING LEVER
A5	302609	HEADREST SHEET METALE
A6	16486	HEADREST ANTIBACTERIAL COATING
A7	14066	ADJUSTABLE HANDLE
POS.	PART NR.	DESCRIPTION

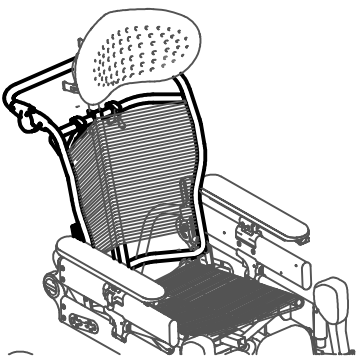
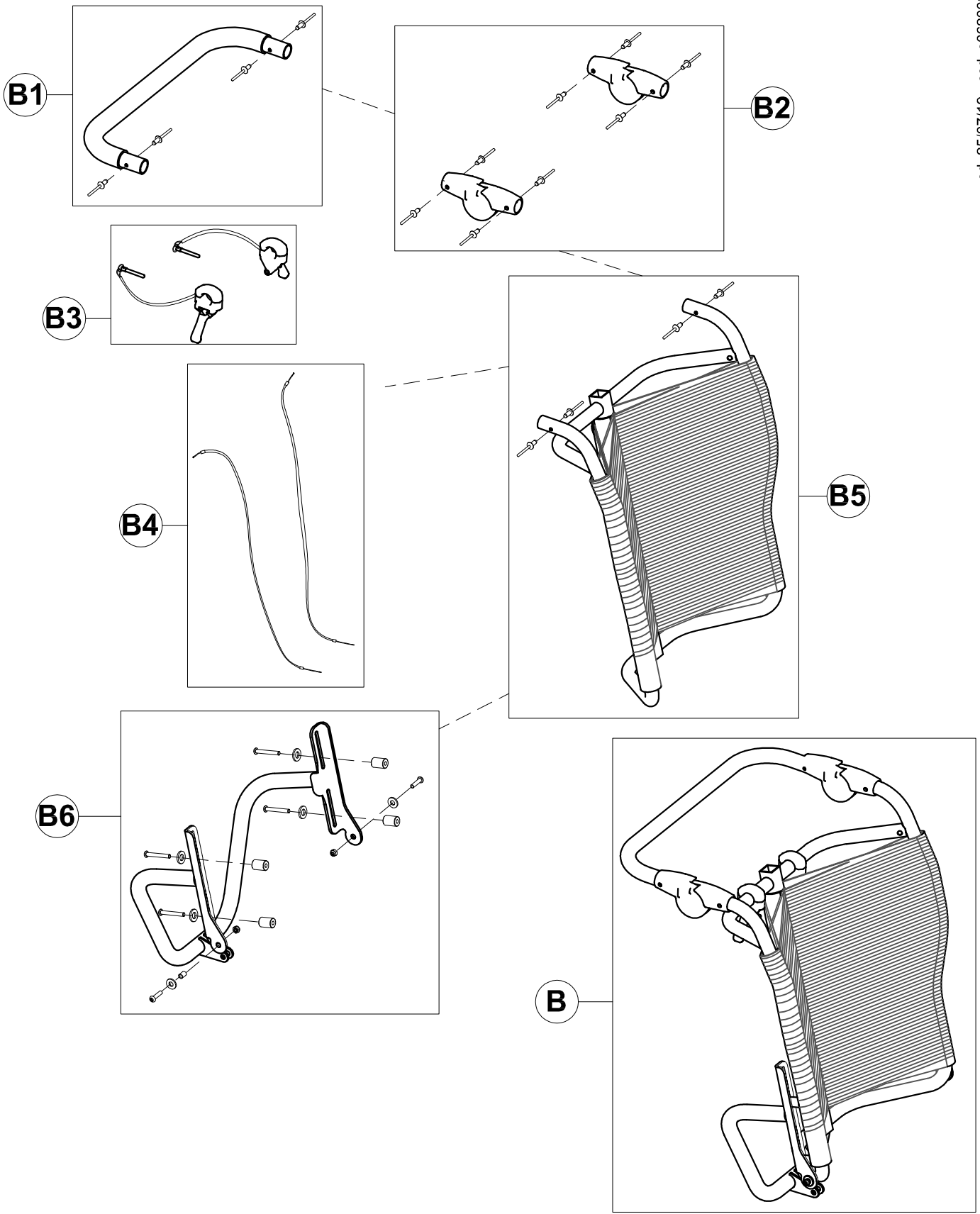
### Spare Parts HEADREST

**ORMEDA**

THIS DRAWING BELONGS TO ORMESA: IT IS FORBIDDEN TO REPRODUCE, CHANGE OR INFORM ANY THIRD PARTY ABOUT ITS CONTENTS

*Juditta*

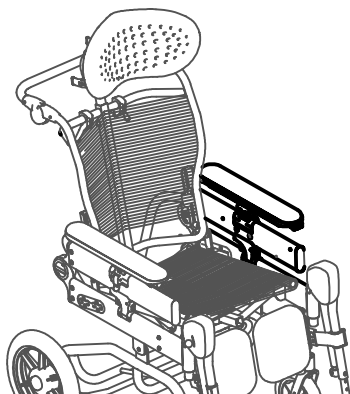
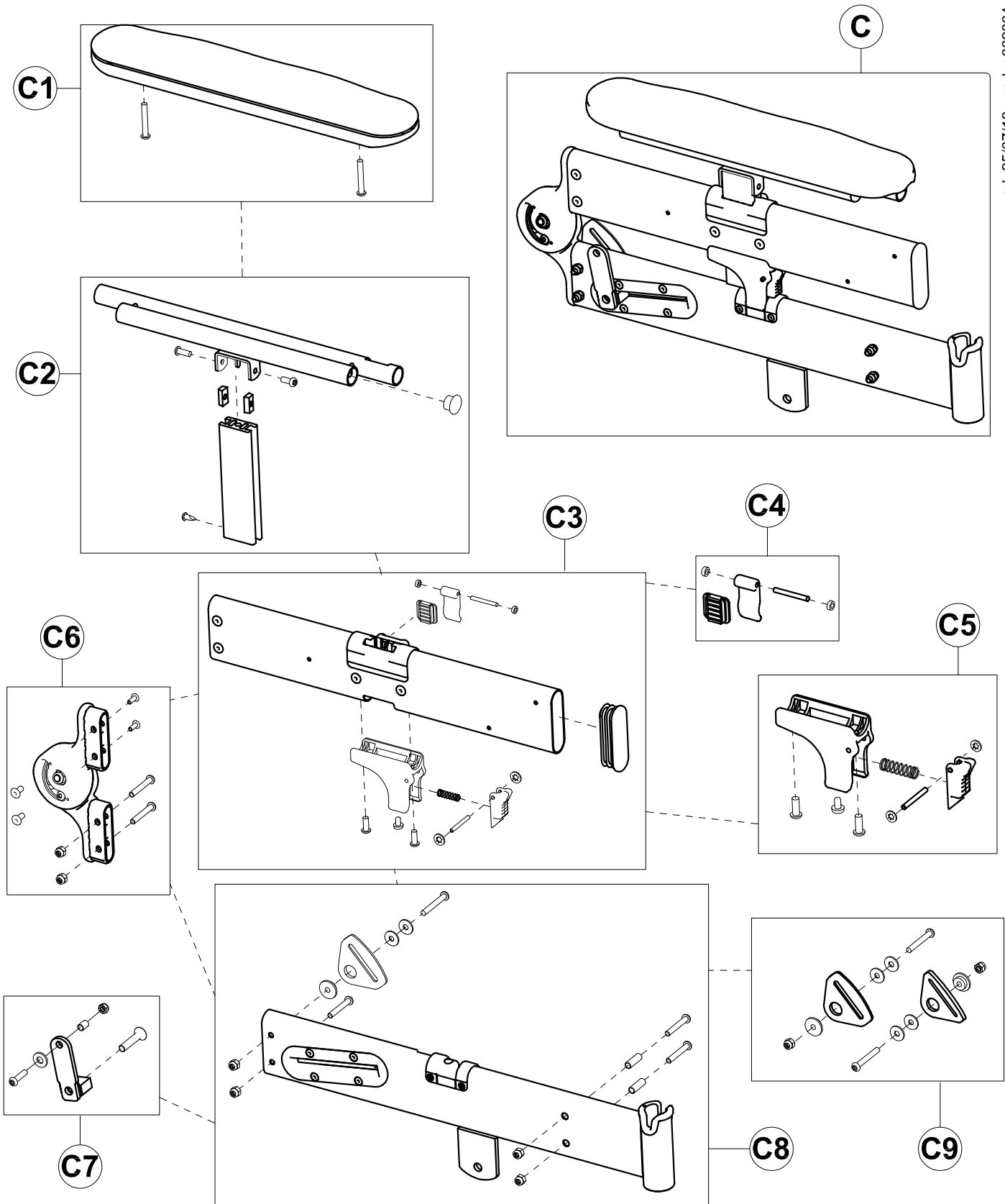




B	303130	COMPLETE BACKREST size-45 ( WHITE )	/ 303130N (BLACK)
B1	302551	COMPLETE PUSH HANDLE size-45	
B2	302553	PAIR OF PUSH HANDLE JOINTS WITH RIVET	
B3	302616	PAIR OF CONTROL LEVERS	
B4	302617	PAIR OF CONTROL CABLES	
B5	303127	BACKREST FRAME +ROPE size-45	/ 303127N (BLACK)
B6	302555	BACKREST SLIDING FRAME size-45	
POS.	PART NR.	DESCRIPTION	PART NR for BLACK JUDITTA

**Spare Parts BACKREST size-45**

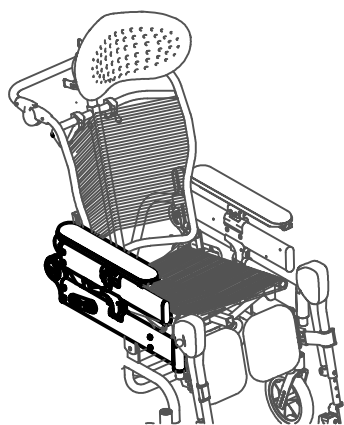
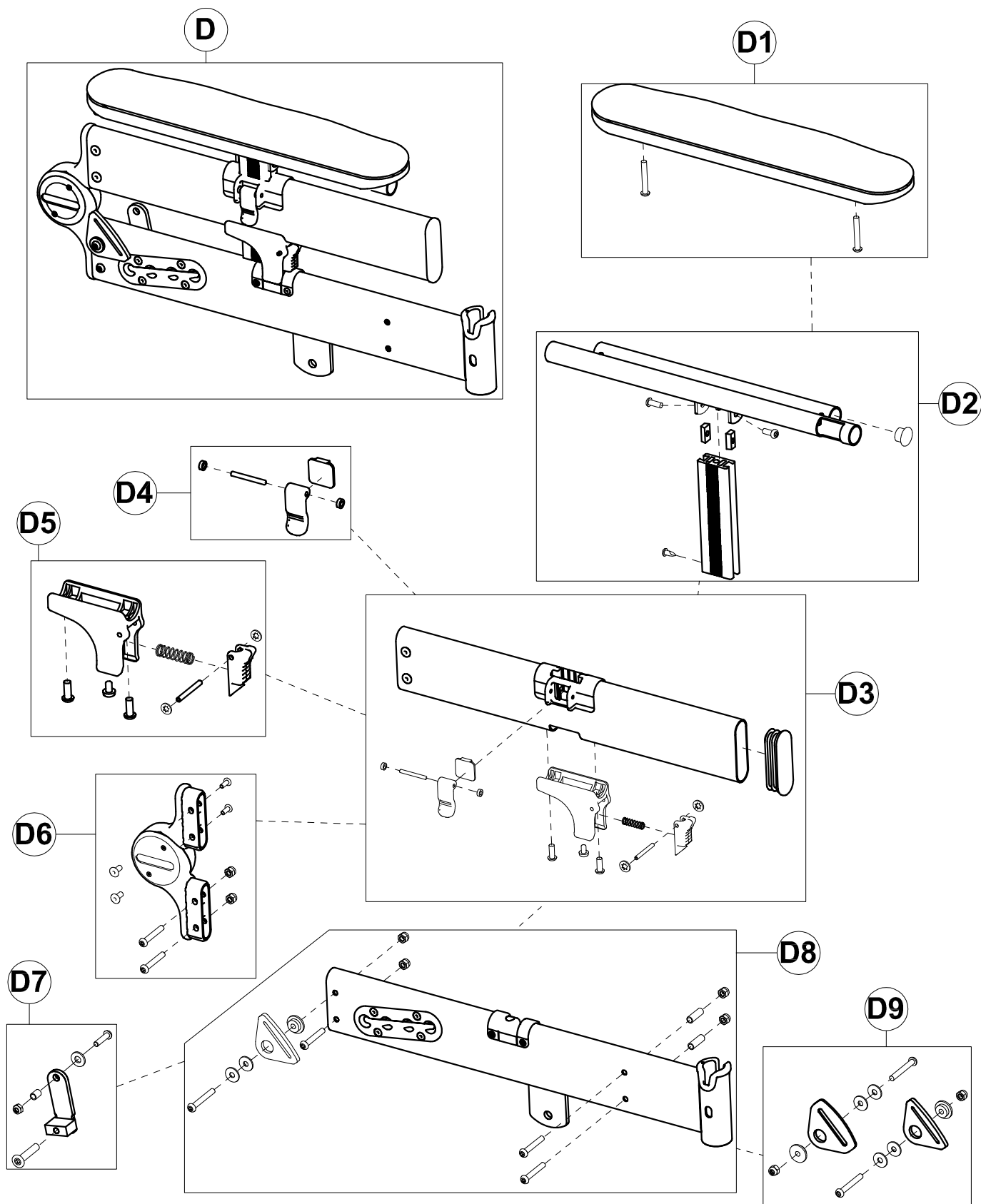




C	302530	LEFT SIDE AND ARM SUPPORT ( WHITE )	/ 302530N (BLACK)
C1	301124	PADDED ARM SUPPORT + SCREWS	
C2	302558	COMPLETE LEFT ARM SUPPORT FRAME	
C3	302560	COMPL. UPPER LEFT SIDE SUPPORT ( WHITE )	/ 302560N (BLACK)
C4	302562	ARM LOCKING LEVER KIT	
C5	302563	UPPER SIDE LOCKING LEVER KIT	
C6	302564	COMPLETE LEFT SIDES HINGE	
C7	302566	HINGE PLATE /BACKREST CURSOR	
C8	302567	COMPL. LOWER LEFT SIDE SUPPORT ( WHITE )	/ 302567N (BLACK)
C9	302850	PAIR OF BUCKLES OF THE 45°PELVIC HARNESS	
POS.	PART NR.	DESCRIPTION	PART NR for BLACK JUDITTA

Spare Parts LEFT SIDE and ARM SUPPORT





D	302529	RIGHT SIDE AND ARM SUPPORT ( WHITE )	/ 302529N ( BLACK )
D1	301124	PADDED ARM SUPPORT + SCREWS	
D2	302559	COMPLETE RIGHT ARM SUPPORT FRAME	
D3	302561	COMPL. UPPER RIGHT SIDE SUPPORT ( WHITE )	/ 302561N ( BLACK )
D4	302562	ARM LOCKING LEVER KIT	
D5	302563	UPPER SIDE LOCKING LEVER KIT	
D6	302565	COMPLETE RIGHT SIDES HINGE	
D7	302566	HINGE PLATE /BACKREST CURSOR	
D8	302568	COMPL. LOWER RIGHT SIDE SUPPORT ( WHITE )	/ 302568N ( BLACK )
D9	302850	PAIR OF BUCKLES OF THE 45°PELVIC HARNESS	

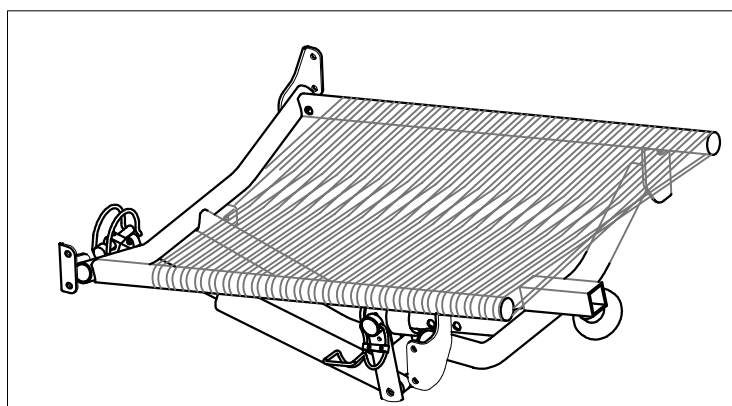
POS. PART NR. DESCRIPTION PART NR for BLACK JUDITTA

## Spare Parts RIGHT SIDE and ARM SUPPORT

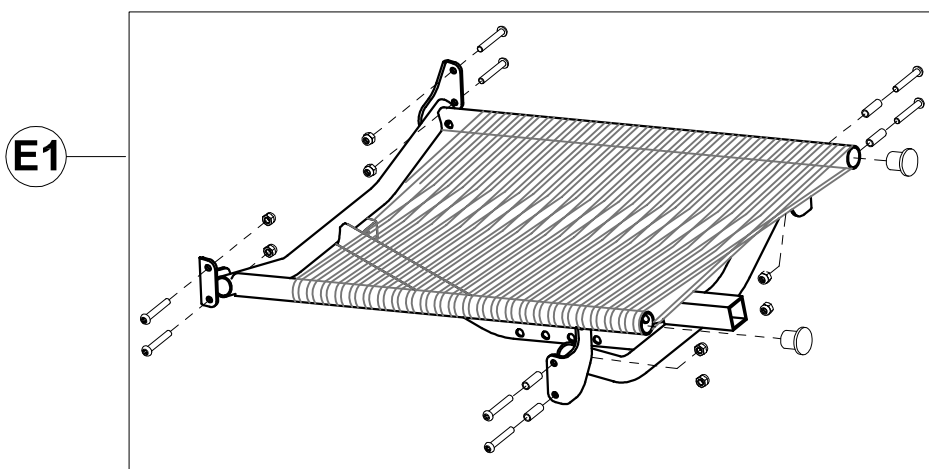
pag. 5

**ORMESA**

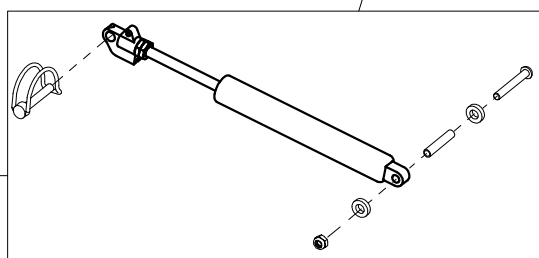
*Juditta*



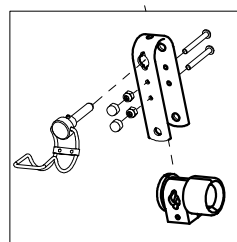
E



E1



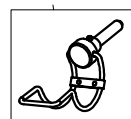
E2



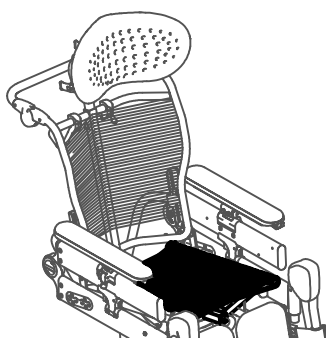
E3



E4

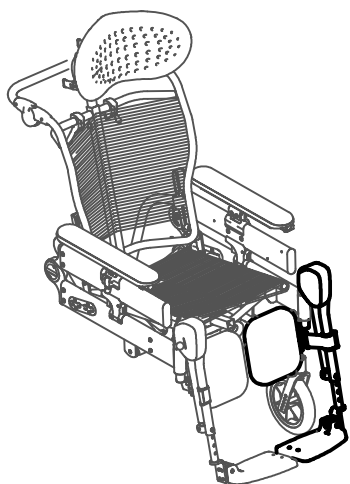
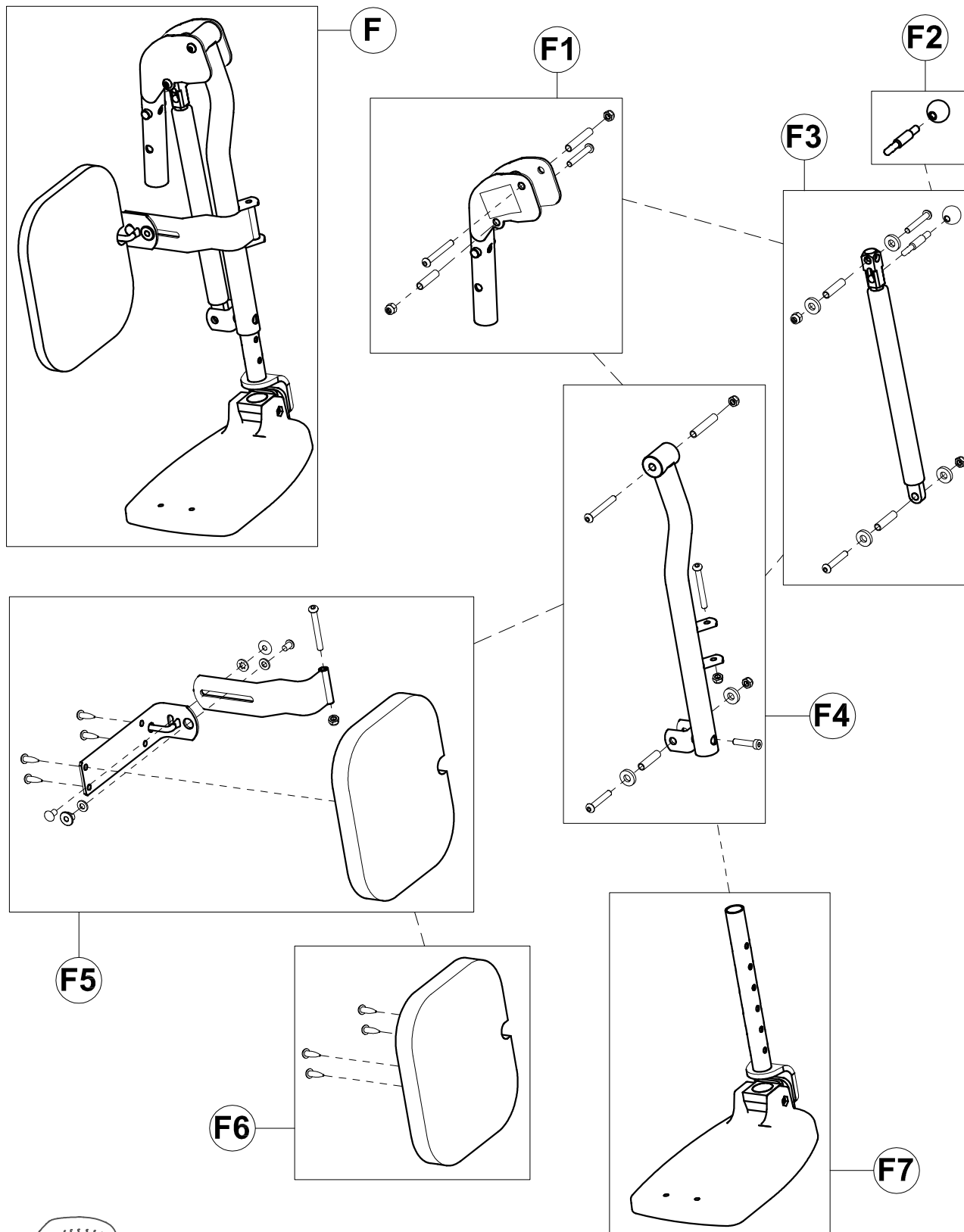


E5



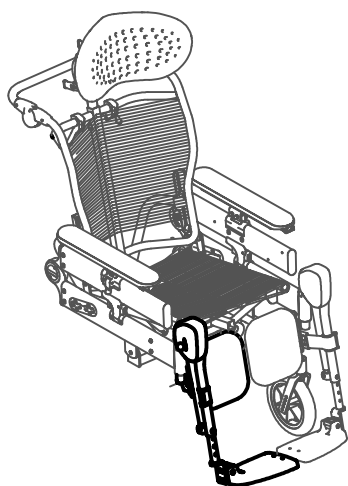
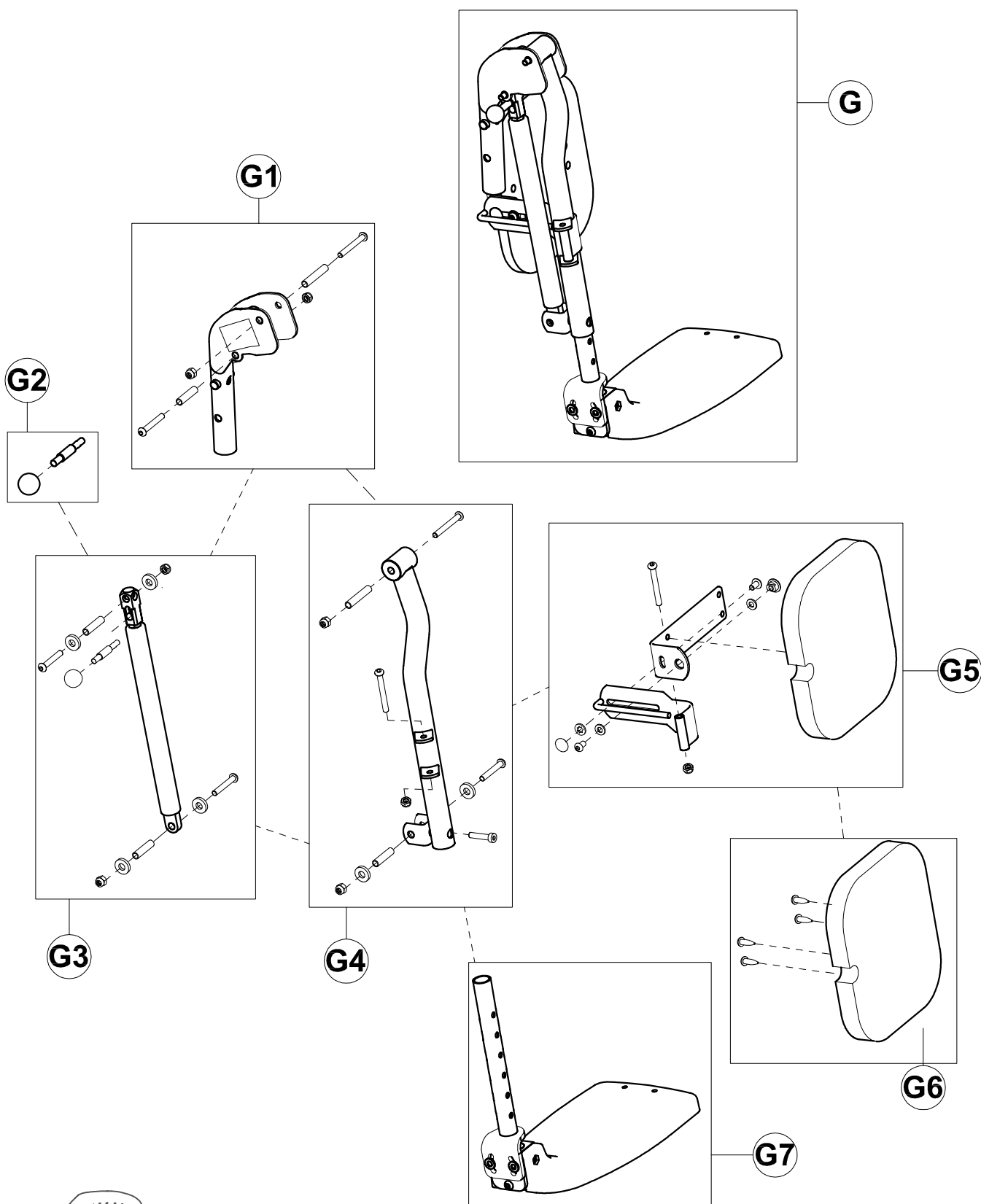
E	302532	COMPLETE SEAT size-45 (WHITE)	/ 302532N (BLACK)
E1	302739	SEAT FRAME +ROPE size-45	/ 302742N (BLACK)
E2	302569	BACKREST GAS SPRING + SCREWS	
E3	302570	GAS SPRING SLIDING FORK	
E4	20761	GAS SPRING SAFETY PIN	
E5	302482	GAS SPRING ADJUSTING PIN	
POS.	PART NR.	DESCRIPTION	PART NR for BLACK JUDITTA

### Spare Parts SEAT size 45



F	302523	LEFT LEGREST size-45
F1	302572	LEGREST JOINT
F2	302573	KNOB+LEVER for LEGREST GAS SPRING
F3	302578	LEGREST GAS SPRING + SCREWS
F4	302574	LEFT LEGREST FRAME + SCREWS
F5	302576S	LEFT CALFREST+ FRAME size-45
F6	302580S	LEFT CALFREST (UPHOLSTERY+ SCREWS) size-45
F7	302584	LEFT FOOTREST+ VERTICAL BAR size-45
POS.	PART NR.	DESCRIPTION

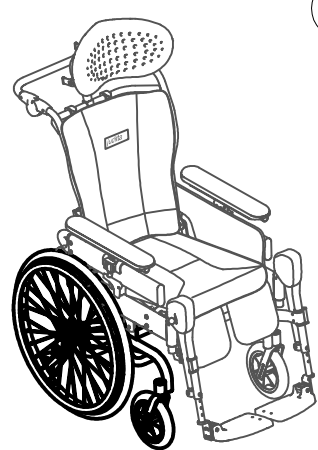
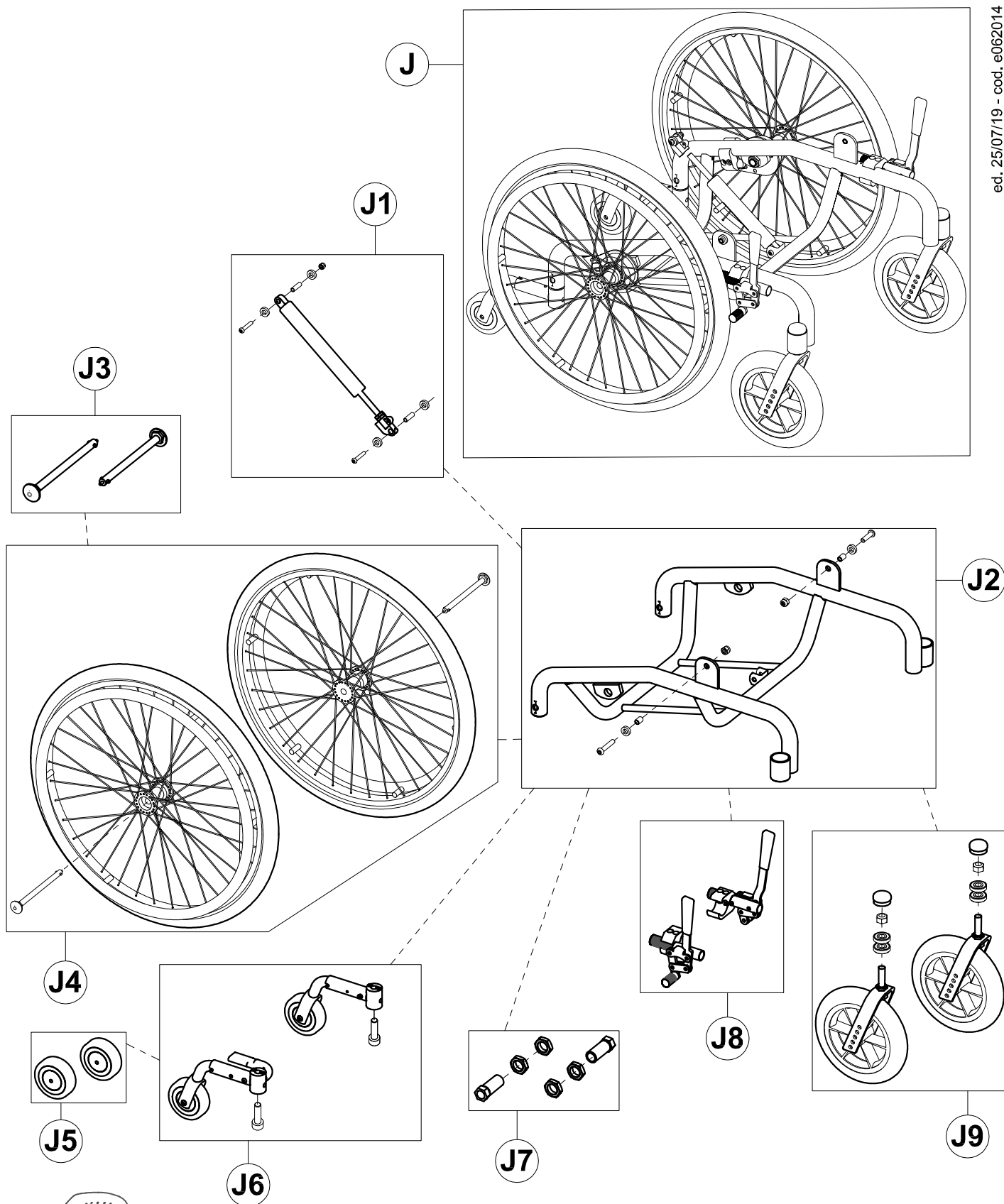
### Spare Parts LEFT LEGREST size-45



G	302522	RIGHT LEGREST size-45
G1	302572	LEGREST JOINT
G2	302573	KNOB+LEVER for LEGREST GAS SPRING
G3	302578	LEGREST GAS SPRING + SCREWS
G4	302588	RIGHT LEGREST FRAME + SCREWS
G5	302576	RIGHT CALFREST+ FRAME size-45
G6	302580	RIGHT CALFREST (UPHOLSTERY+ SCREWS) size-45
G7	302585	RIGHT FOOTREST+ VERTICAL BAR size-45
POS.	PART NR.	DESCRIPTION

Spare Parts RIGHT LEGREST size-45

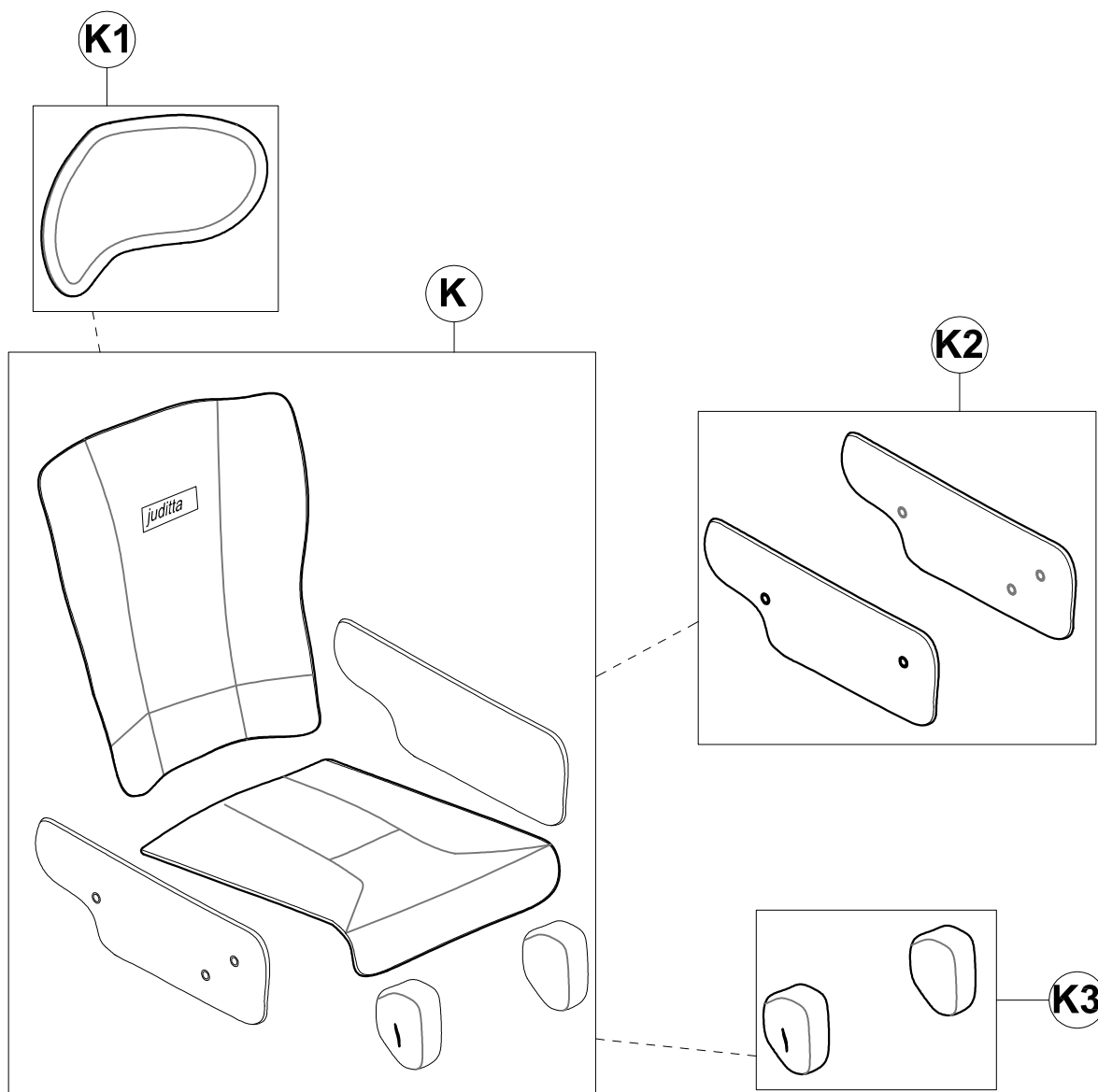




J	302527	BASE WITH WHEELS size-45 B60 ( WHITE )	/ 302527N ( BLACK )
J1	302589	TILTING GAS SPRING + SCREW	
J2	302595	BASE FRAME + SCREWS size-45 ( WHITE )	/ 302595N ( BLACK )
J3	302602	PAIR OF QUICK RELEASE PIN	
J4	302603	B60 WHEELS + PINS	
J5	302605	ANTI-TIP WHEELS	
J6	303291	PAIR OF ANTI-TIP FRAME + WHEELS	
J7	302621	PAIR OF QUICK RELEASE BUSHING +NUTS	
J8	302736	BRAKES B60	
J9	302598	FRONT WHEELS B30-B60	
POS.	PART NR.	DESCRIPTION	PART NR for BLACK JUDITTA

Spare Parts BASE WITH WHEELS size-45 B60 pag. 9





	171656	LIGHT GREY UPHOLSTERY SIZE-45
K	171654	DARK GREY UPHOLSTERY SIZE-45
	100770	938-45 UPHOLSTERY (WATERPROOF)
	100127	936 JUDITTA HEADREST COVER LIGHT GREY
K1	100126	936 JUDITTA HEADREST COVER DARK GREY
	100121M	936 JUDITTA HEADREST COVER (WATERPROOF)
K2	171470	UPHOLSTERY SIDES size-40-45-50
K3	171461	UPHOLSTERY LEGREST HINGE
POS.	PART NR.	DESCRIPTION

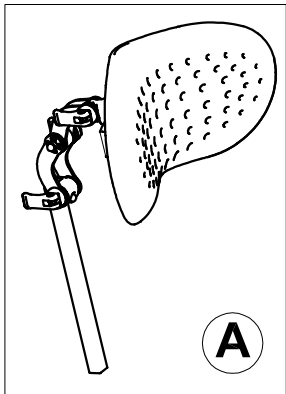
### Spare Parts UPHOLSTERY size 45

pag. 10

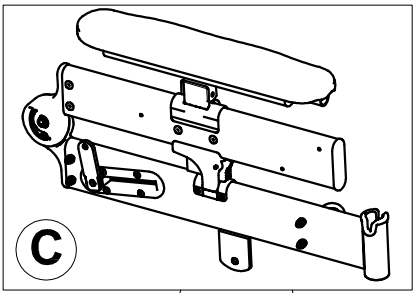
**ORMEDA**

*Juditta*

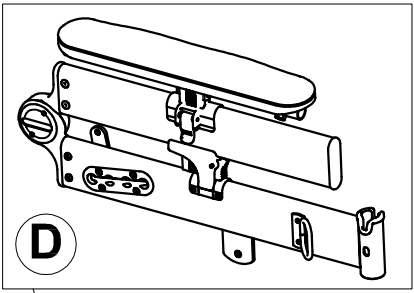
THIS DRAWING BELONGS TO ORMEDA: IT IS FORBIDDEN TO REPRODUCE, CHANGE OR INFORM ANY THIRD PARTY ABOUT ITS CONTENTS



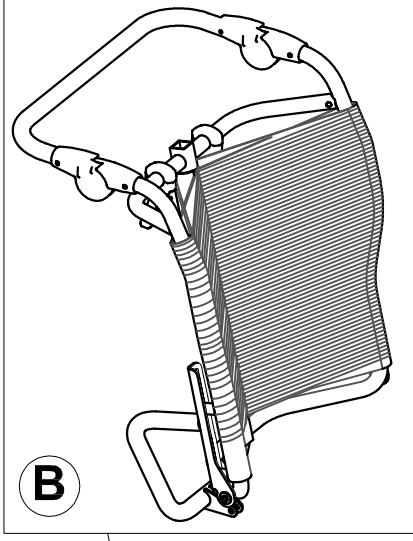
**A**



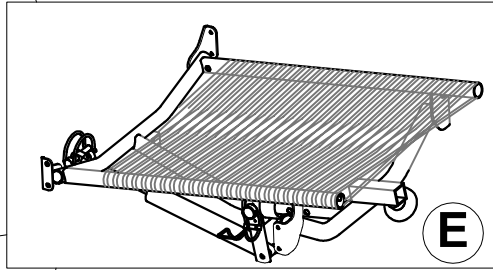
**C**



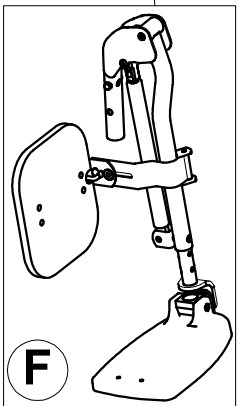
**D**



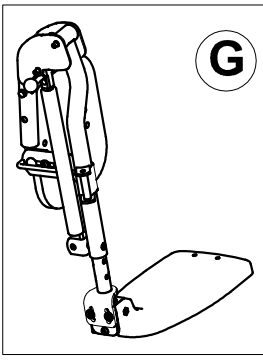
**B**



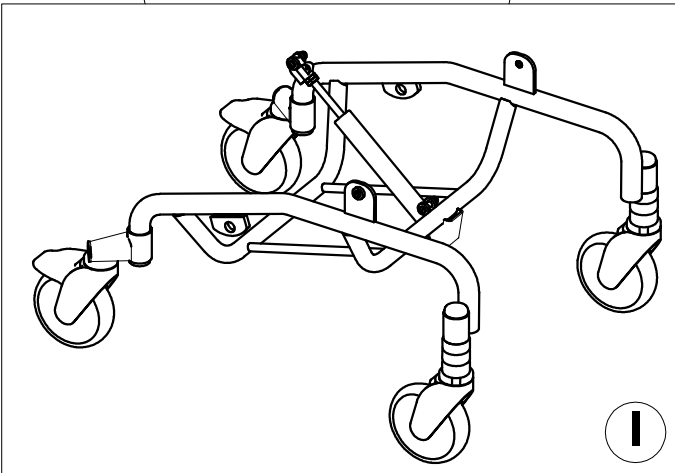
**E**



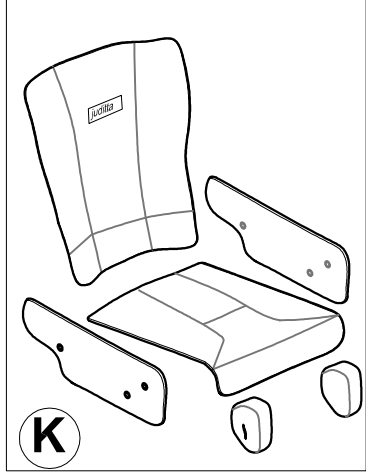
**F**



**G**



**I**



**K**

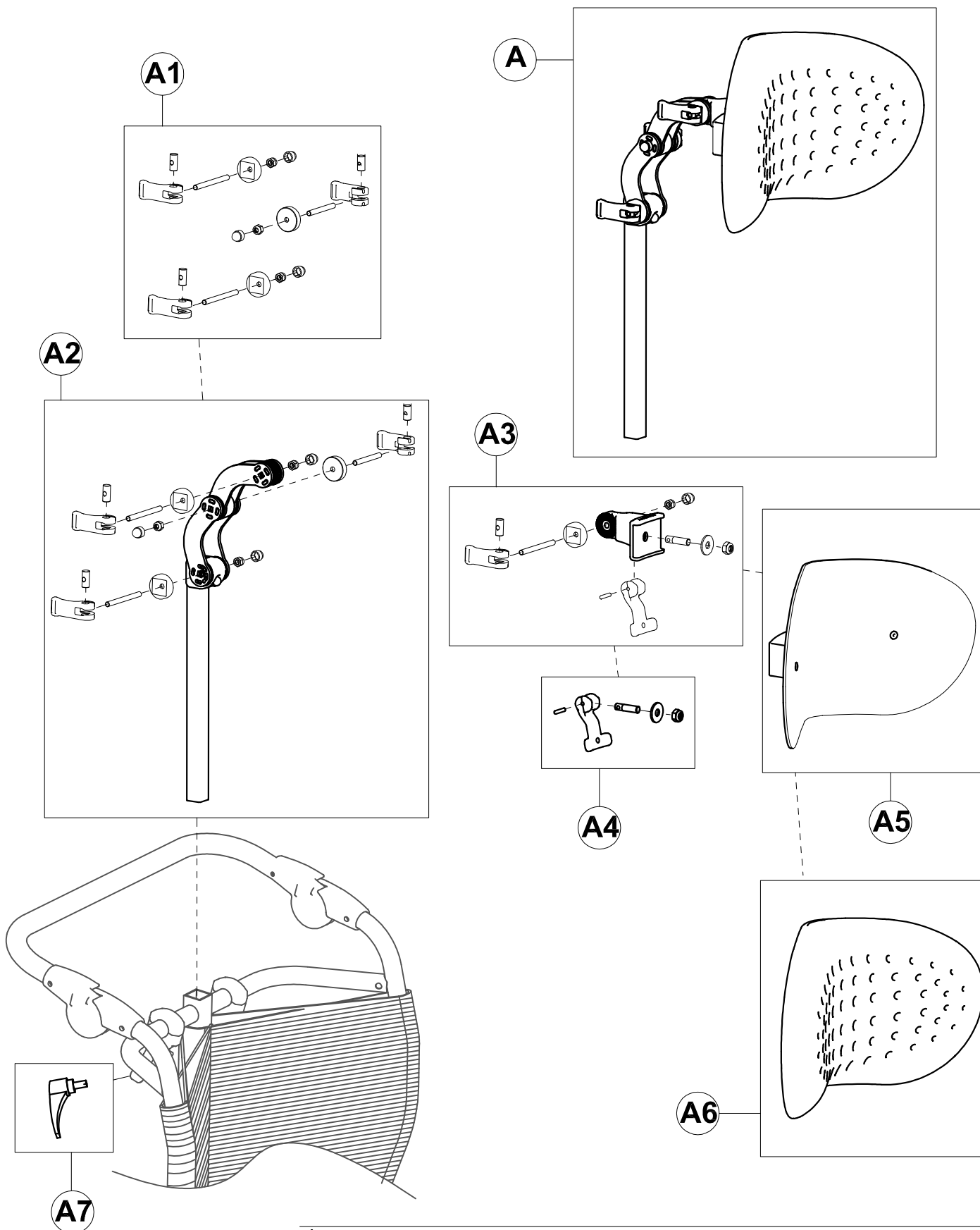


A	302970	COMPLETE HEADREST	
B	303131	COMPLETE BACKREST size-50 ( WHITE )	/ 303131N (BLACK)
C	302530	LEFT SIDE AND ARM SUPPORT ( WHITE )	/ 302530N (BLACK)
D	302529	RIGHT SIDE AND ARM SUPPORT ( WHITE )	/ 302529N (BLACK)
E	302533	COMPLETE SEAT size-50 ( WHITE )	/ 302533N (BLACK)
F	302525	LEFT LEGREST size-50	
G	302524	RIGHT LEGREST size-50	
I	302520	BASE WITH WHEELS size-50 B12 ( WHITE )	/ 302520N (BLACK)
K	171661	LIGHT GREY UPHOLSTERY SIZE-50	
	171660	DARK GREY UPHOLSTERY SIZE 50	

POS. PART NR. DESCRIPTION PART NR for BLACK JUDITTA

Spare Parts JUDITTA B12 size 50





A	302970	COMPLETE HEADREST
A1	303257	HEADREST KNOB + JOINT SCREW
A2	303258	HEADREST VERTICAL FRAME WITH JOINT
A3	303259	HEADREST JOINT ATTACK WITH LEVER
A4	303260	HEADREST SLIDING LEVER
A5	302609	HEADREST SHEET METALE
A6	16486	HEADREST ANTIBACTERIAL COATING
A7	14066	ADJUSTABLE HANDLE
POS.	PART NR.	DESCRIPTION

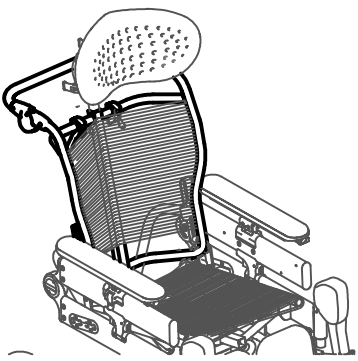
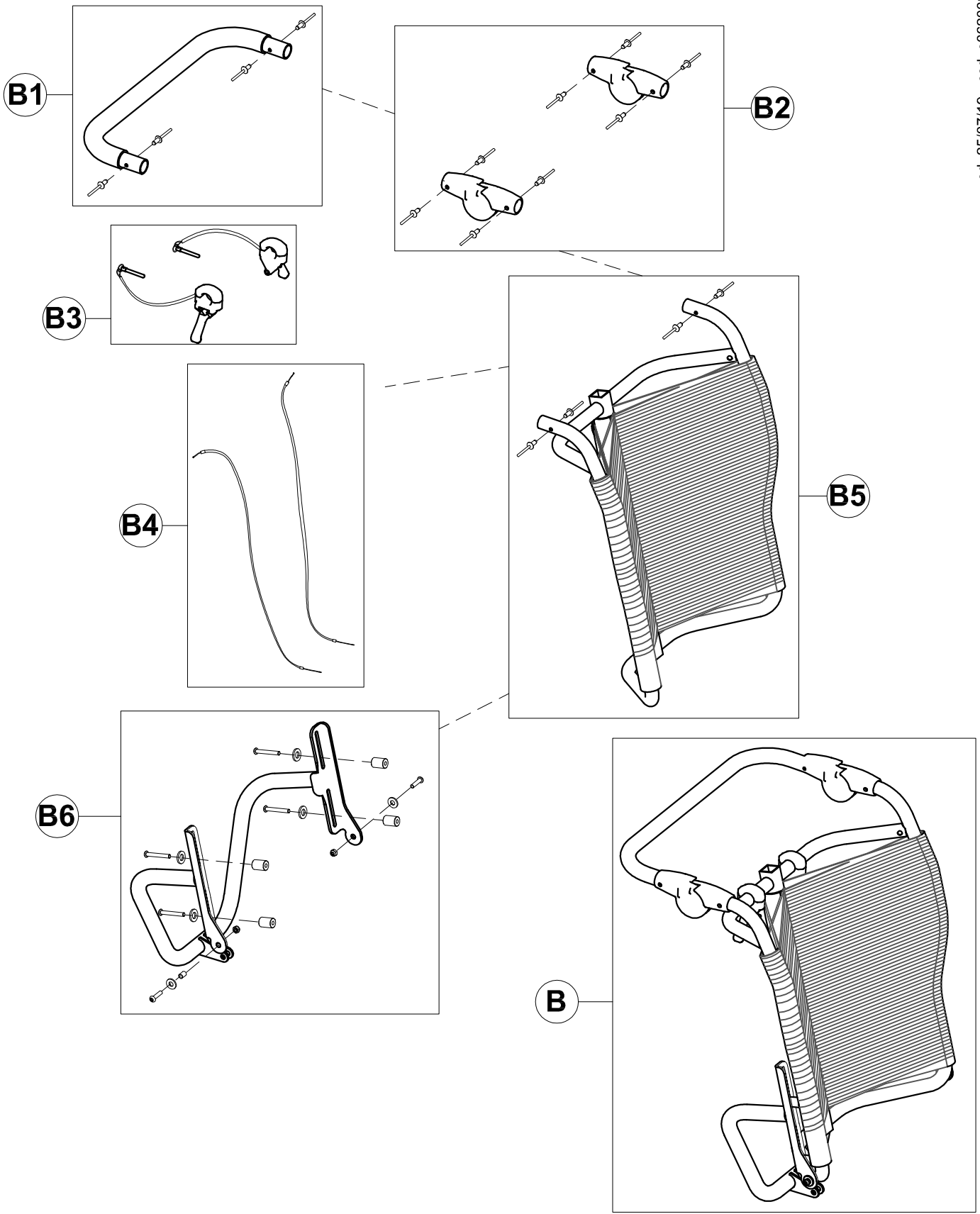
### Spare Parts HEADREST

**ORMEDA**

THIS DRAWING BELONGS TO ORMESA: IT IS FORBIDDEN TO REPRODUCE, CHANGE OR INFORM ANY THIRD PARTY ABOUT ITS CONTENTS

*Juditta*

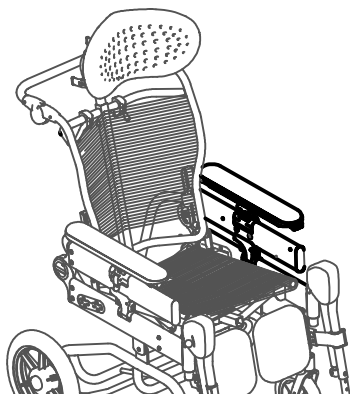
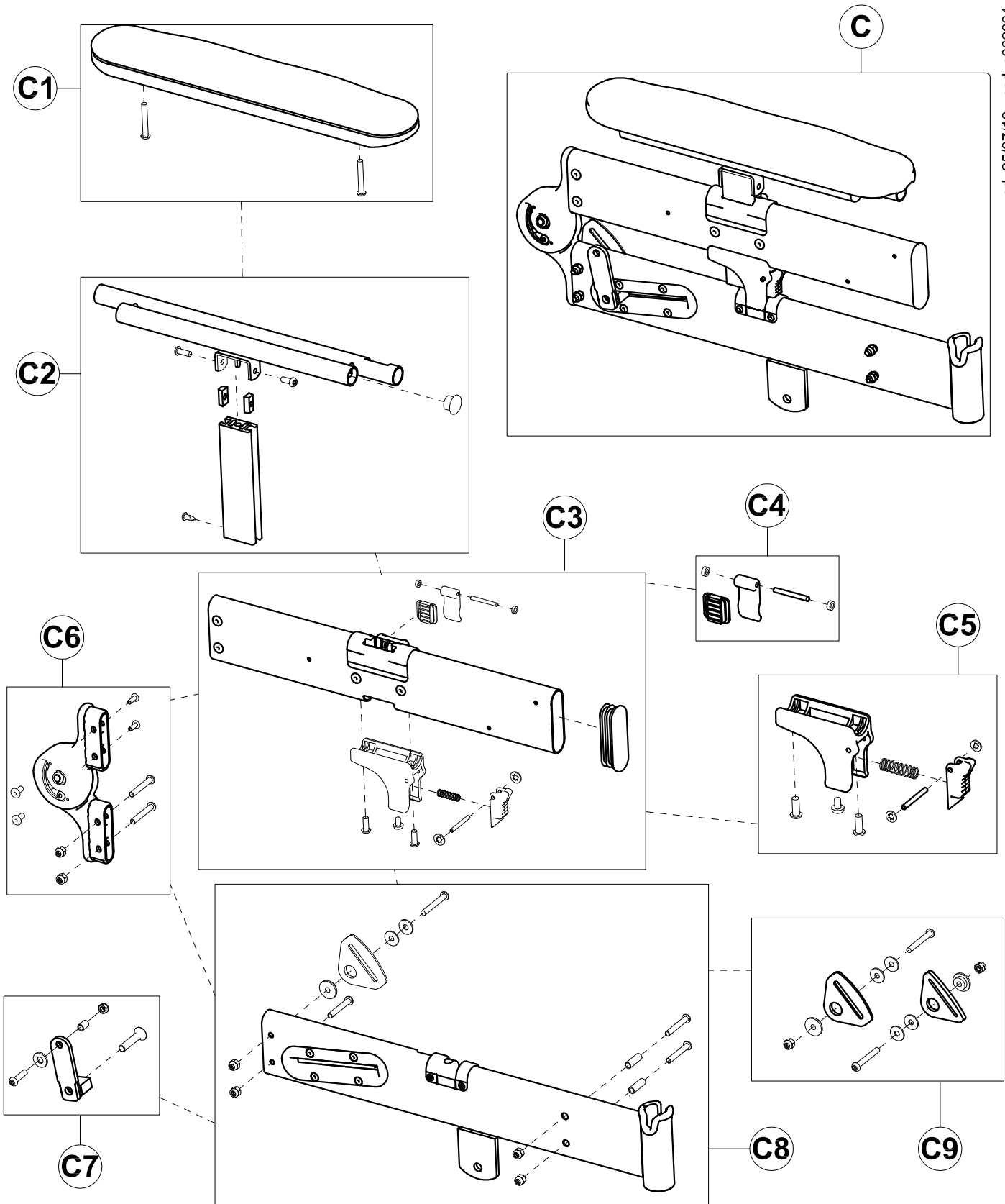




B	303131	COMPLETE BACKREST size-50 ( WHITE )	/ 303131N (BLACK)
B1	302552	COMPLETE PUSH HANDLE size-50	
B2	302553	PAIR OF PUSH HANDLE JOINTS WITH RIVET	
B3	302616	PAIR OF CONTROL LEVERS	
B4	302617	PAIR OF CONTROL CABLES	
B5	303128	BACKREST FRAME +ROPE size-50	/ 303128N (BLACK)
B6	302556	BACKREST SLIDING FRAME size-50	
POS.	PART NR.	DESCRIPTION	PART NR for BLACK JUDITTA

**Spare Parts BACKREST size-50**

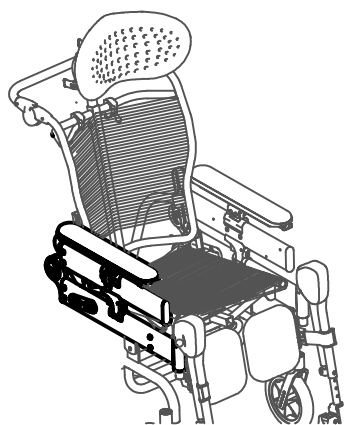
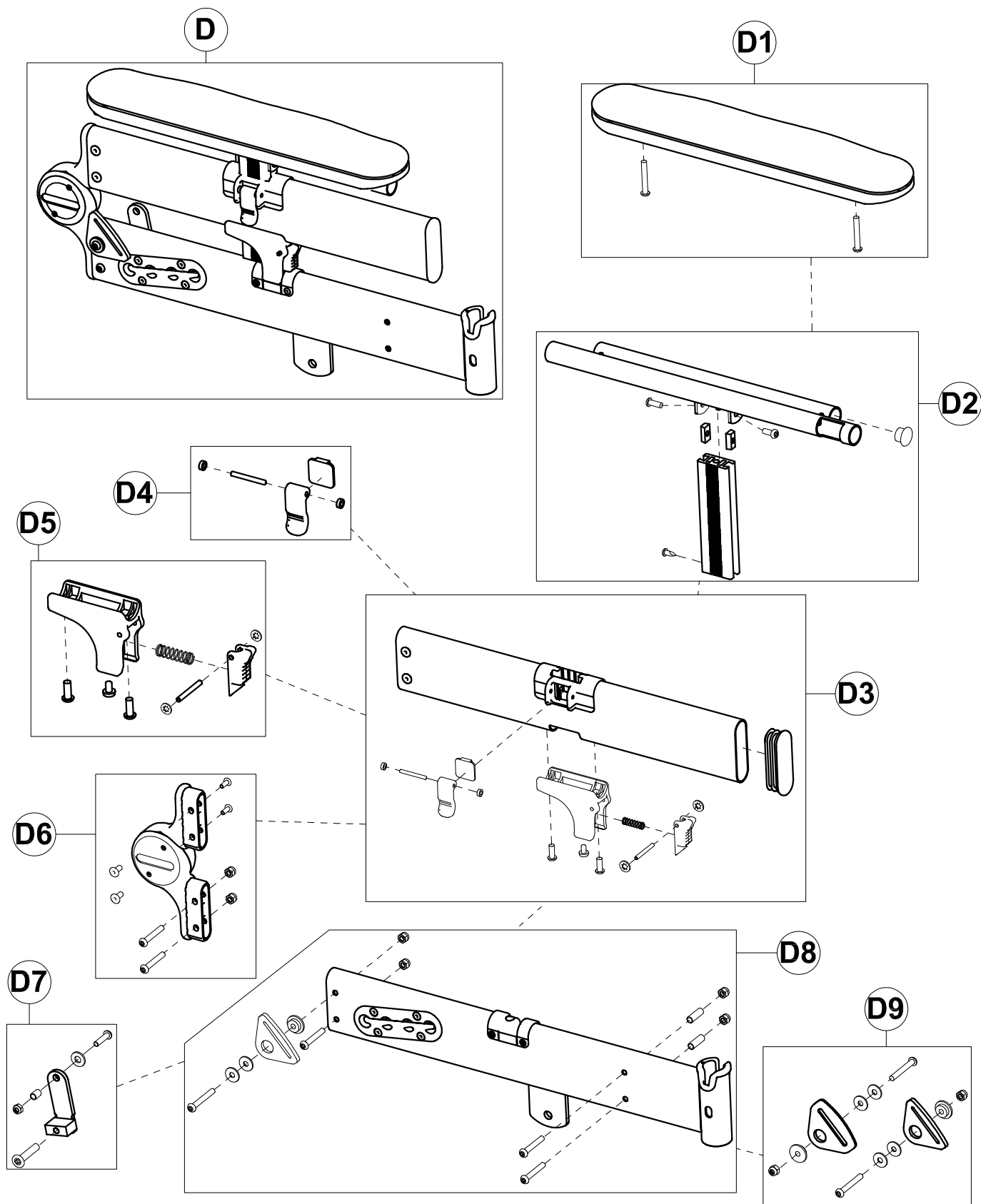




C	302530	LEFT SIDE AND ARM SUPPORT ( WHITE )	/ 302530N (BLACK)
C1	301124	PADDED ARM SUPPORT + SCREWS	
C2	302558	COMPLETE LEFT ARM SUPPORT FRAME	
C3	302560	COMPL. UPPER LEFT SIDE SUPPORT ( WHITE )	/ 302560N (BLACK)
C4	302562	ARM LOCKING LEVER KIT	
C5	302563	UPPER SIDE LOCKING LEVER KIT	
C6	302564	COMPLETE LEFT SIDES HINGE	
C7	302566	HINGE PLATE /BACKREST CURSOR	
C8	302567	COMPL. LOWER LEFT SIDE SUPPORT ( WHITE )	/ 302567N (BLACK)
C9	302850	PAIR OF BUCKLES OF THE 45°PELVIC HARNESS	
POS.	PART NR.	DESCRIPTION	PART NR for BLACK JUDITTA

Spare Parts LEFT SIDE and ARM SUPPORT





D	302529	RIGHT SIDE AND ARM SUPPORT ( WHITE )	/ 302529N ( BLACK )
D1	301124	PADDED ARM SUPPORT + SCREWS	
D2	302559	COMPLETE RIGHT ARM SUPPORT FRAME	
D3	302561	COMPL. UPPER RIGHT SIDE SUPPORT ( WHITE )	/ 302561N ( BLACK )
D4	302562	ARM LOCKING LEVER KIT	
D5	302563	UPPER SIDE LOCKING LEVER KIT	
D6	302565	COMPLETE RIGHT SIDES HINGE	
D7	302566	HINGE PLATE /BACKREST CURSOR	
D8	302568	COMPL. LOWER RIGHT SIDE SUPPORT ( WHITE )	/ 302568N ( BLACK )
D9	302850	PAIR OF BUCKLES OF THE 45°PELVIC HARNESS	

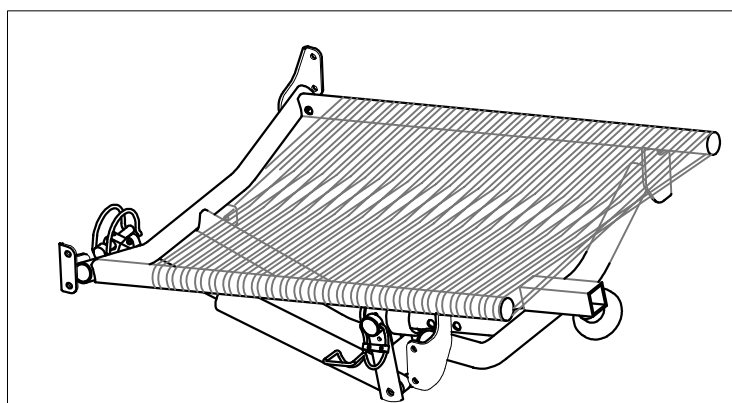
POS. PART NR. DESCRIPTION PART NR for BLACK JUDITTA

## Spare Parts RIGHT SIDE and ARM SUPPORT

pag. 5

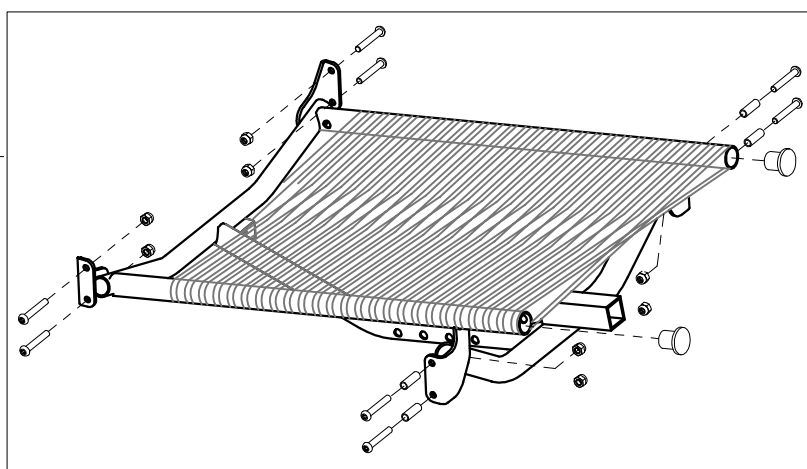
**ORMESA**

*Juditta*

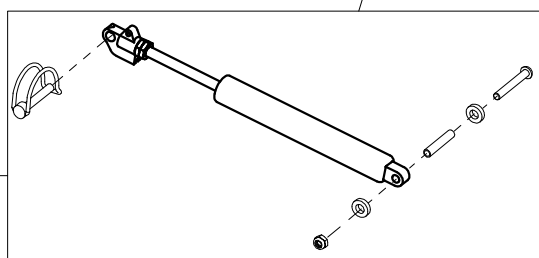


E

E1



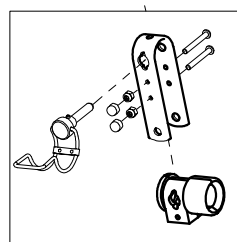
E2



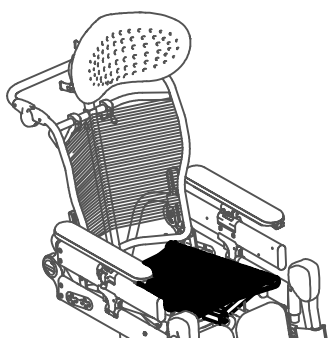
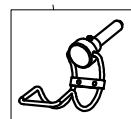
E4



E3



E5



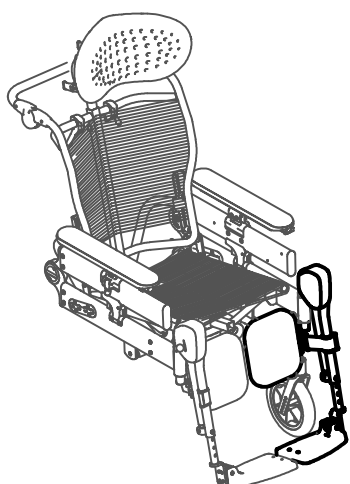
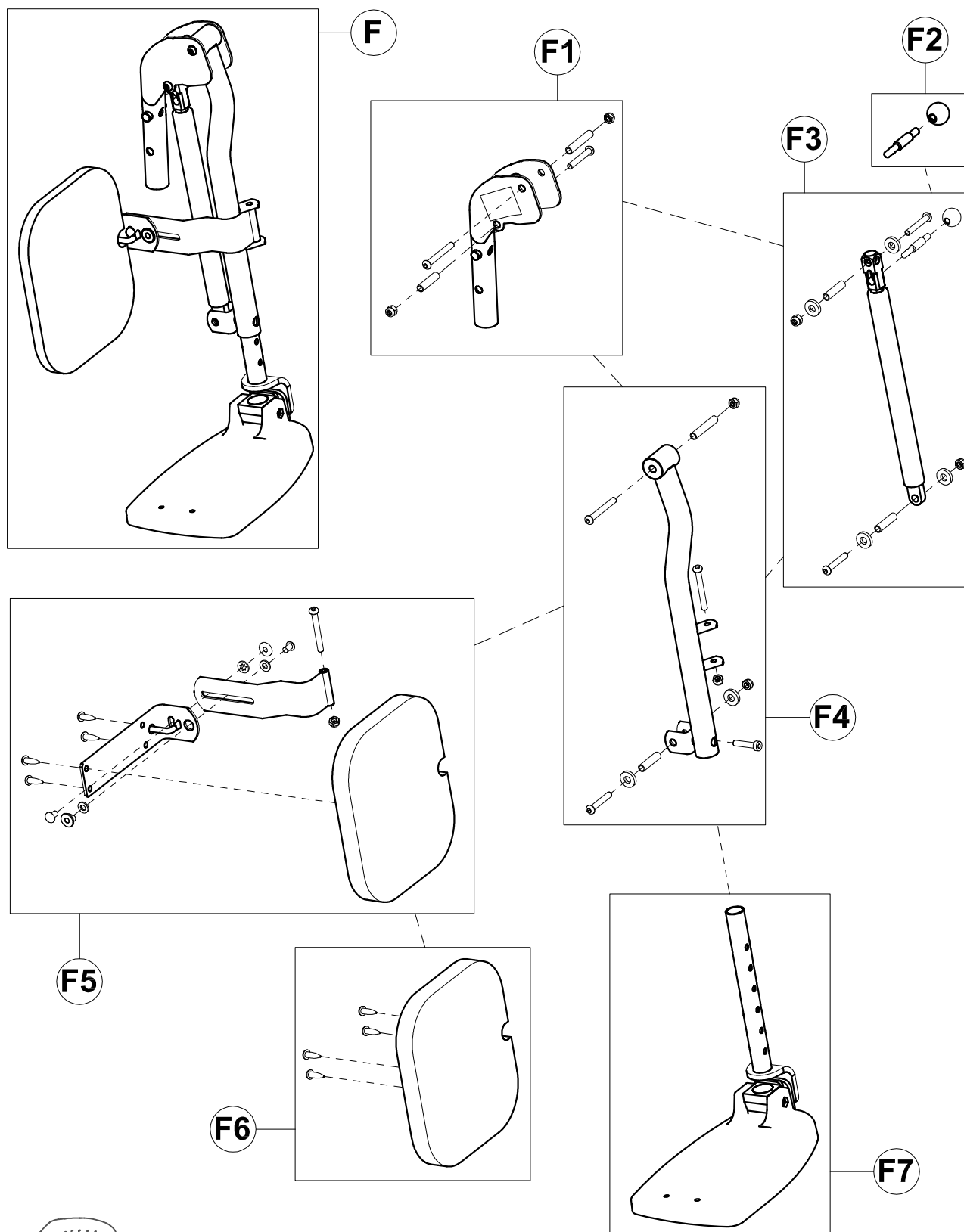
E	302533	COMPLETE SEAT size-50 (WHITE)	/ 302533N (BLACK)
E1	302740	SEAT FRAME +ROPE size-50	/ 302743N (BLACK)
E2	302569	BACKREST GAS SPRING + SCREWS	
E3	302570	GAS SPRING SLIDING FORK	
E4	20761	GAS SPRING SAFETY PIN	
E5	302482	GAS SPRING ADJUSTING PIN	
POS.	PART NR.	DESCRIPTION	PART NR for BLACK JUDITTA

### Spare Parts SEAT size 50

**ORMEDA**

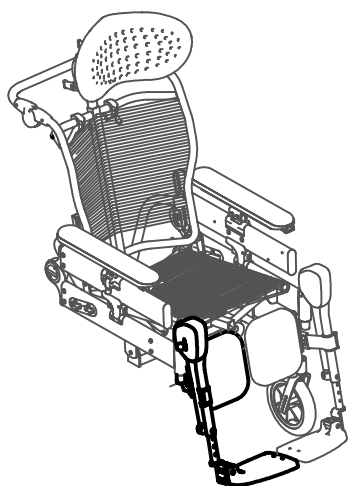
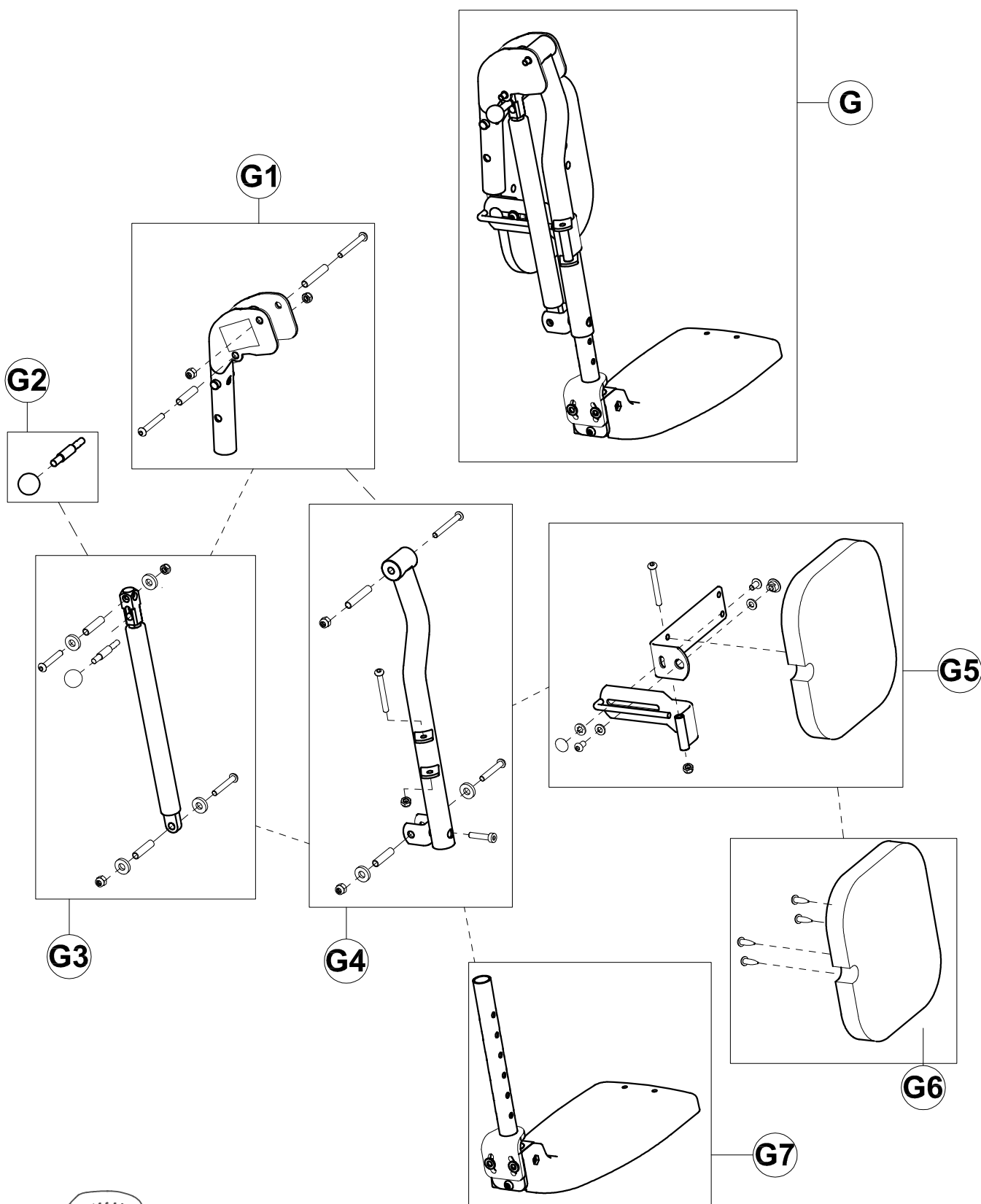
THIS DRAWING BELONGS TO ORMEDA; IT IS FORBIDDEN TO REPRODUCE, CHANGE OR INFORM ANY THIRD PARTY ABOUT ITS CONTENTS

*Juditta*



F	302525	LEFT LEGREST size-50
F1	302572	LEGREST JOINT
F2	302573	KNOB+LEVER for LEGREST GAS SPRING
F3	302578	LEGREST GAS SPRING + SCREWS
F4	302574	LEFT LEGREST FRAME + SCREWS
F5	302577S	LEFT CALFREST+ FRAME size-50
F6	302581S	LEFT CALFREST (UPHOLSTERY+ SCREWS) size-50
F7	302586	LEFT FOOTREST+ VERTICAL BAR size-50
POS.	PART NR.	DESCRIPTION

Spare Parts LEFT LEGREST size-50



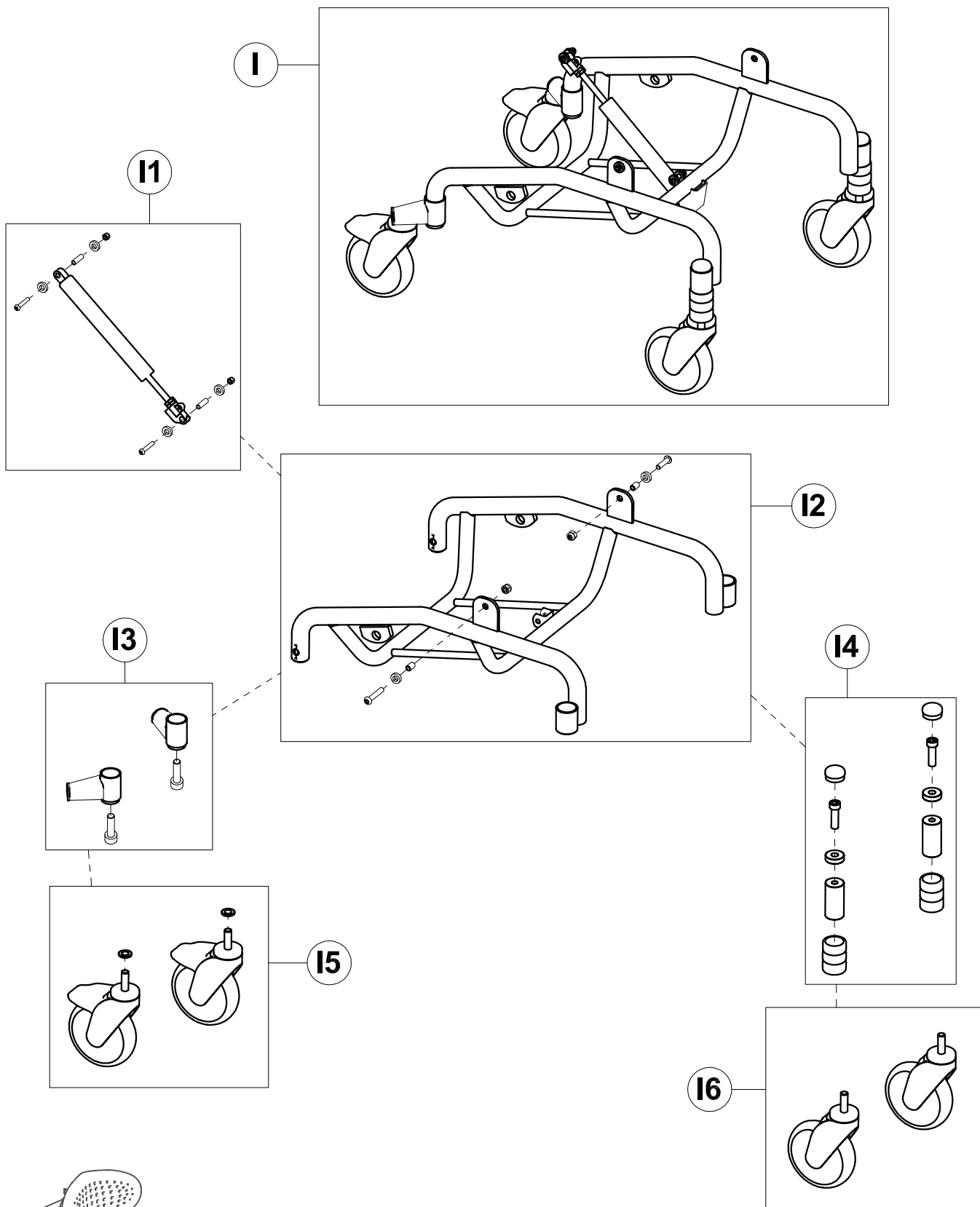
G	302524	RIGHT LEGREST size-50
G1	302572	LEGREST JOINT
G2	302573	KNOB+LEVER for LEGREST GAS SPRING
G3	302578	LEGREST GAS SPRING + SCREWS
G4	302588	RIGHT LEGREST FRAME + SCREWS
G5	302577	RIGHT CALFREST+ FRAME size-50
G6	302581	RIGHT CALFREST (UPHOLSTERY+ SCREWS) size-50
G7	302587	RIGHT FOOTREST+ VERTICAL BAR size-50
POS.	PART NR.	DESCRIPTION

**Spare Parts RIGHT LEGREST size-50**

**ORMEDA**

THIS DRAWING BELONGS TO ORMESA: IT IS FORBIDDEN TO REPRODUCE, CHANGE OR INFORM ANY THIRD PARTY ABOUT ITS CONTENTS

*Juditta*



I	302520	BASE WITH WHEELS size-50 B12 ( WHITE )	/ 302520N (BLACK)
11	302589	TILTING GAS SPRING + SCREW	
12	302596	BASE FRAME + SCREWS size-50 ( WHITE )	/ 302596N (BLACK)
13	302600	B12 WHEEL HUBS	
14	302601	LEFT-RIGHT SUPPORTS KIT OF THE FRONT WHEELS	
15	302038	B12 REAR WHEELS	
16	302039	B12 FRONT WHEELS	

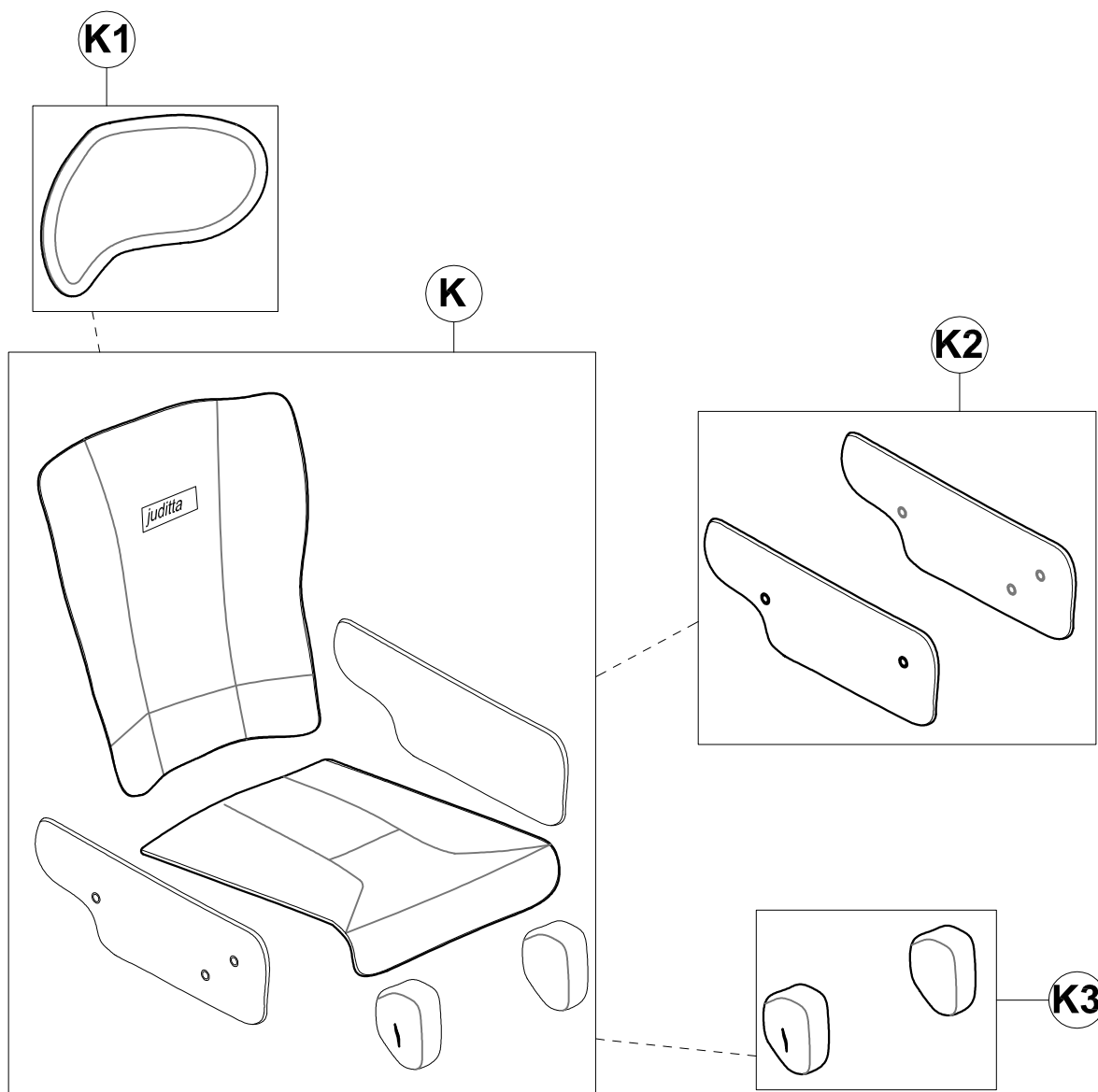
POS. PART NR. DESCRIPTION PART NR for BLACK JUDITTA

### Spare Parts BASE WITH WHEELS size-50 B12

pag. 9

**ORMEDA**

**Juditta**



	171661	LIGHT GREY UPHOLSTERY SIZE-50
K	171660	DARK GREY UPHOLSTERY SIZE-50
	100771	938-50 UPHOLSTERY (WATERPROOF)
	100127	936 JUDITTA HEADREST COVER LIGHT GREY
K1	100126	936 JUDITTA HEADREST COVER DARK GREY
	100121M	936 JUDITTA HEADREST COVER (WATERPROOF)
K2	171470	UPHOLSTERY SIDES size-40-45-50
K3	171461	UPHOLSTERY LEGREST HINGE
POS.	PART NR.	DESCRIPTION

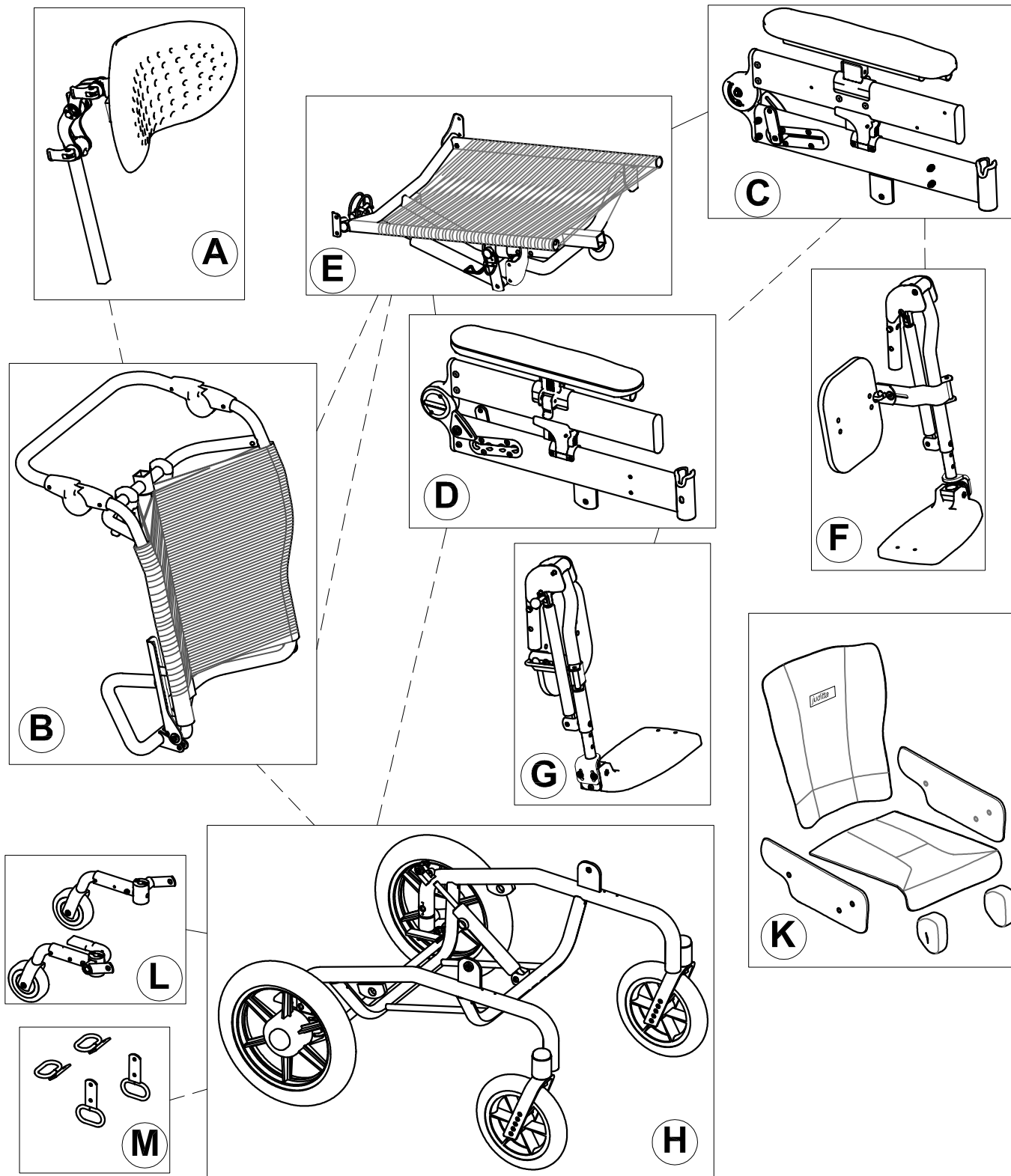
### Spare Parts UPHOLSTERY size 50

pag. 10

**ORMEDA**

*Juditta*

THIS DRAWING BELONGS TO ORMESA: IT IS FORBIDDEN TO REPRODUCE, CHANGE OR INFORM ANY THIRD PARTY ABOUT ITS CONTENTS

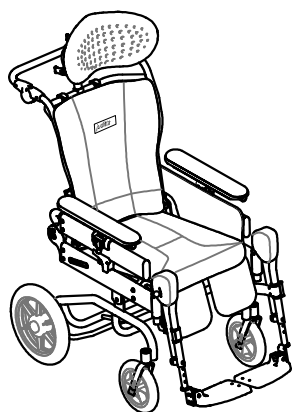


A	302970	COMPLETE HEADREST	
B	303131	COMPLETE BACKREST size-50 ( WHITE )	/ 303131N ( BLACK )
C	302530	LEFT SIDE AND ARM SUPPORT ( WHITE )	/ 302530N ( BLACK )
D	302529	RIGHT SIDE AND ARM SUPPORT ( WHITE )	/ 302529N ( BLACK )
E	302533	COMPLETE SEAT size-50 ( WHITE )	/ 302533N ( BLACK )
F	302525	LEFT LEGREST size-50	
G	302524	RIGHT LEGREST size-50	
H	303133	BASE WITH WHEELS size-50 B30 ( WHITE )	/ 303133N ( BLACK )
K	171661	LIGHT GREY UPHOLSTERY SIZE-50	
K	171660	DARK GREY UPHOLSTERY SIZE 50	
L	102994	932 ANTI TIP DEVICE JUDITTA B30	
M	102978	891- SET OF 4 TIE DOWN HOOKS	

POS. PART NR. DESCRIPTION PART NR for BLACK JUDITTA

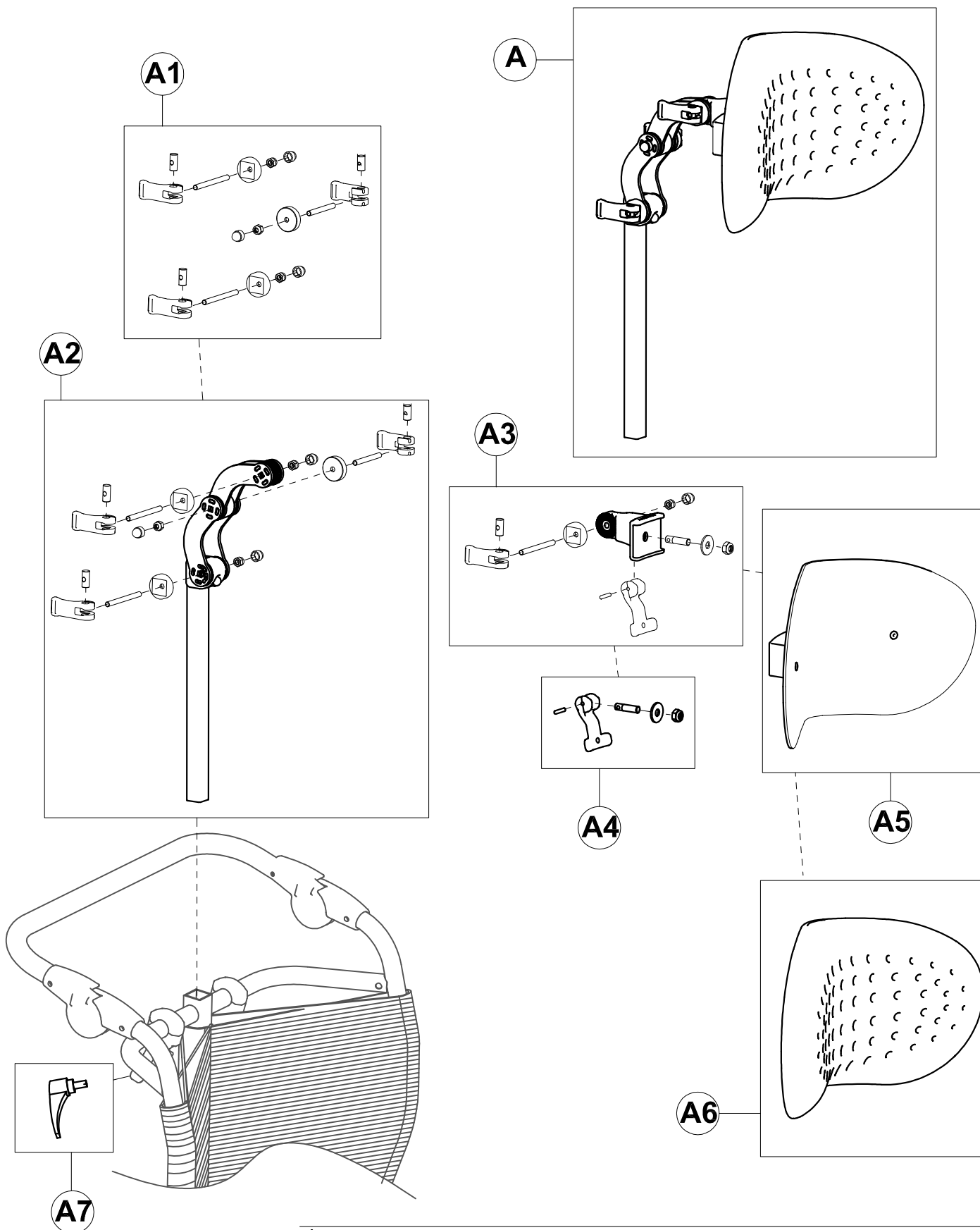
### Spare Parts JUDITTA B30 size 50

pag. 1



**ORMESA**

**Juditte**



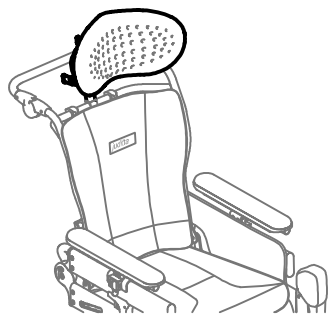
A	302970	COMPLETE HEADREST
A1	303257	HEADREST KNOB + JOINT SCREW
A2	303258	HEADREST VERTICAL FRAME WITH JOINT
A3	303259	HEADREST JOINT ATTACK WITH LEVER
A4	303260	HEADREST SLIDING LEVER
A5	302609	HEADREST SHEET METALE
A6	16486	HEADREST ANTIBACTERIAL COATING
A7	14066	ADJUSTABLE HANDLE
POS.	PART NR.	DESCRIPTION

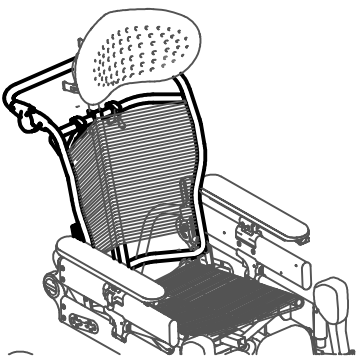
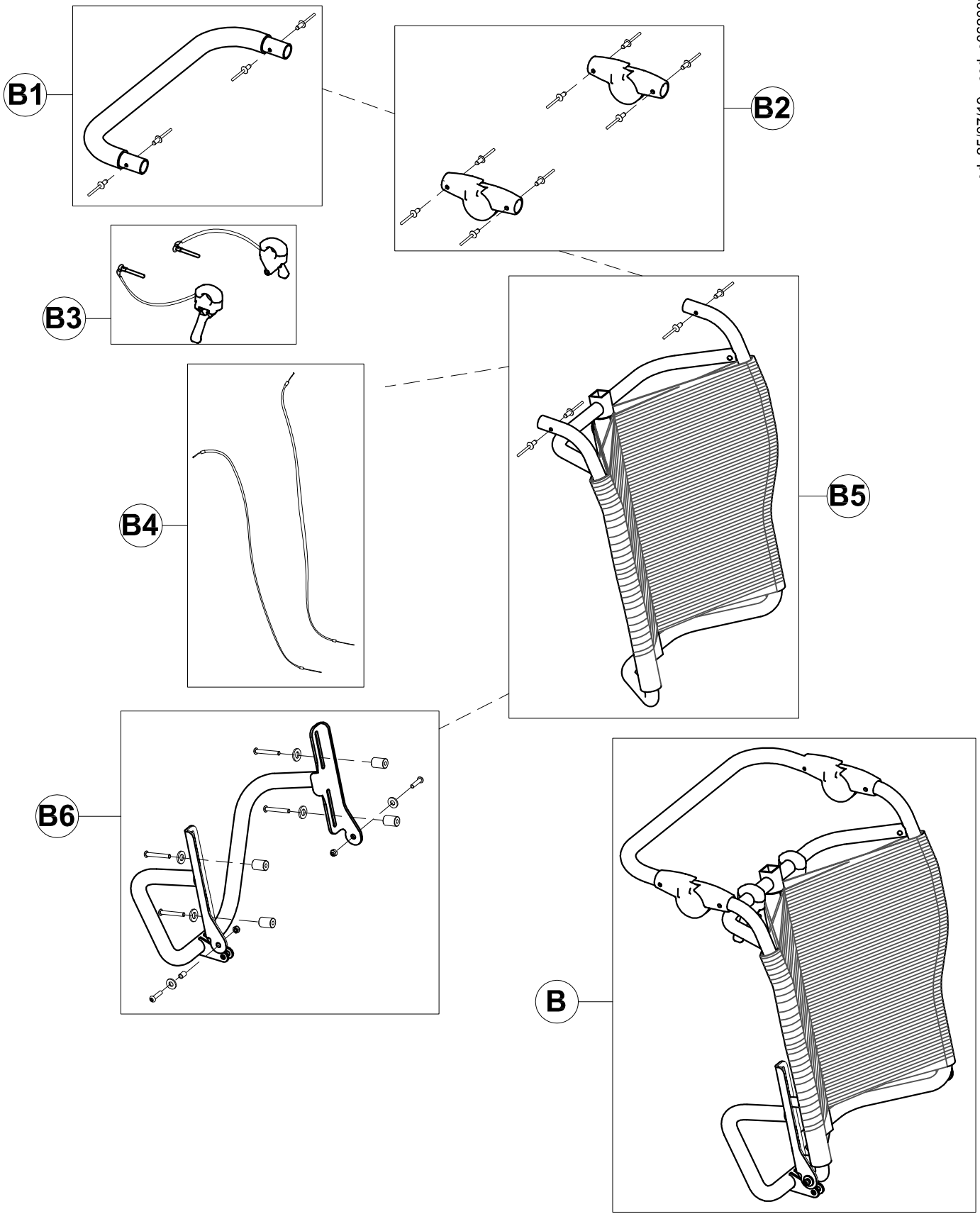
### Spare Parts HEADREST

**ORMEDA**

THIS DRAWING BELONGS TO ORMESA: IT IS FORBIDDEN TO REPRODUCE, CHANGE OR INFORM ANY THIRD PARTY ABOUT ITS CONTENTS

*Juditta*

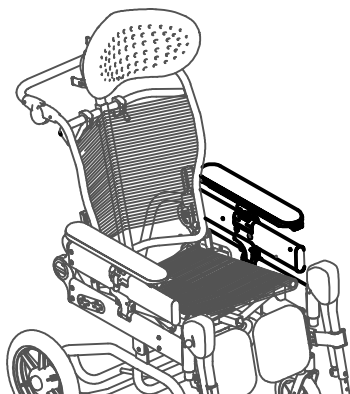
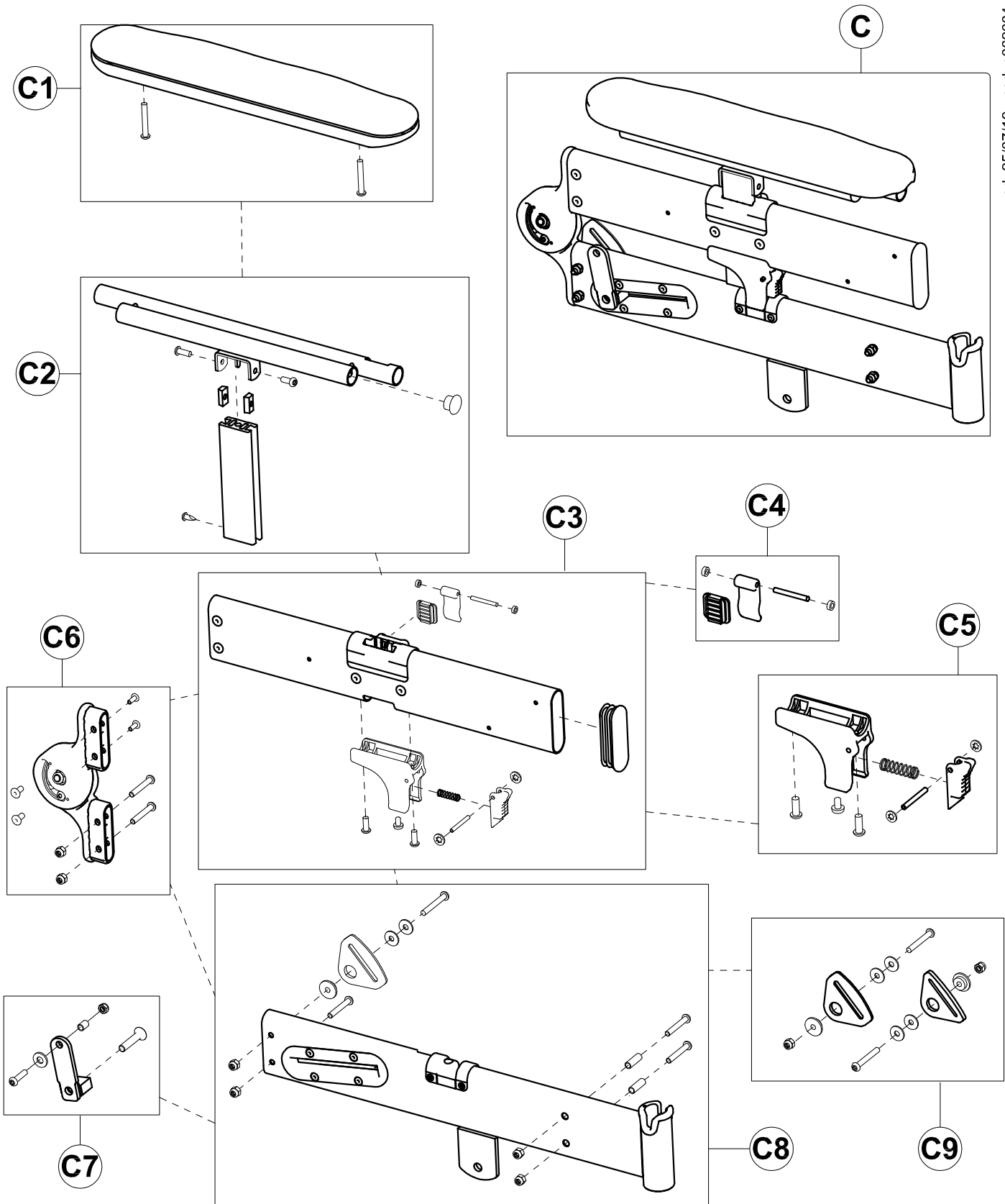




B	303131	COMPLETE BACKREST size-50 ( WHITE )	/ 303131N (BLACK)
B1	302552	COMPLETE PUSH HANDLE size-50	
B2	302553	PAIR OF PUSH HANDLE JOINTS WITH RIVET	
B3	302616	PAIR OF CONTROL LEVERS	
B4	302617	PAIR OF CONTROL CABLES	
B5	303128	BACKREST FRAME +ROPE size-50	/ 303128N (BLACK)
B6	302556	BACKREST SLIDING FRAME size-50	
POS.	PART NR.	DESCRIPTION	PART NR for BLACK JUDITTA

**Spare Parts BACKREST size-50**

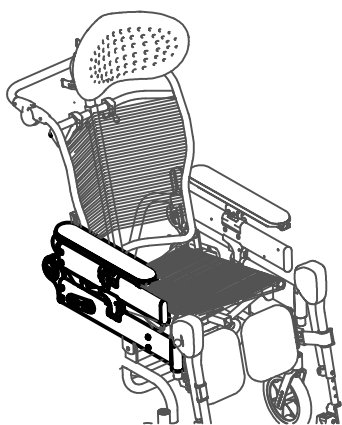
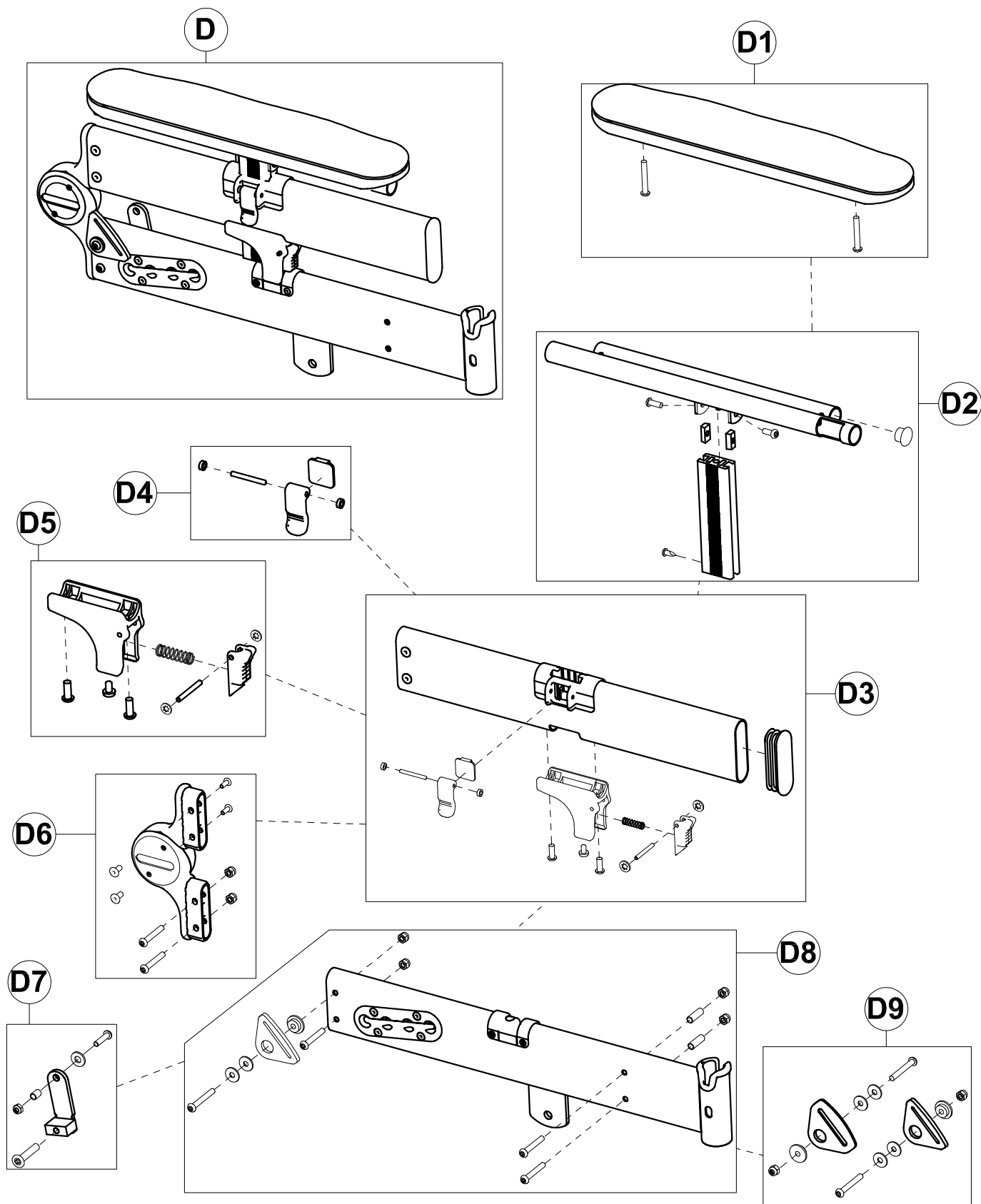




C	302530	LEFT SIDE AND ARM SUPPORT ( WHITE )	/ 302530N (BLACK)
C1	301124	PADDED ARM SUPPORT + SCREWS	
C2	302558	COMPLETE LEFT ARM SUPPORT FRAME	
C3	302560	COMPL. UPPER LEFT SIDE SUPPORT ( WHITE )	/ 302560N (BLACK)
C4	302562	ARM LOCKING LEVER KIT	
C5	302563	UPPER SIDE LOCKING LEVER KIT	
C6	302564	COMPLETE LEFT SIDES HINGE	
C7	302566	HINGE PLATE /BACKREST CURSOR	
C8	302567	COMPL. LOWER LEFT SIDE SUPPORT ( WHITE )	/ 302567N (BLACK)
C9	302850	PAIR OF BUCKLES OF THE 45°PELVIC HARNESS	
POS.	PART NR.	DESCRIPTION	PART NR for BLACK JUDITTA

Spare Parts LEFT SIDE and ARM SUPPORT





D	302529	RIGHT SIDE AND ARM SUPPORT ( WHITE )	/ 302529N ( BLACK )
D1	301124	PADDED ARM SUPPORT + SCREWS	
D2	302559	COMPLETE RIGHT ARM SUPPORT FRAME	
D3	302561	COMPL. UPPER RIGHT SIDE SUPPORT ( WHITE )	/ 302561N ( BLACK )
D4	302562	ARM LOCKING LEVER KIT	
D5	302563	UPPER SIDE LOCKING LEVER KIT	
D6	302565	COMPLETE RIGHT SIDES HINGE	
D7	302566	HINGE PLATE /BACKREST CURSOR	
D8	302568	COMPL. LOWER RIGHT SIDE SUPPORT ( WHITE )	/ 302568N ( BLACK )
D9	302850	PAIR OF BUCKLES OF THE 45°PELVIC HARNESS	

POS. PART NR. DESCRIPTION

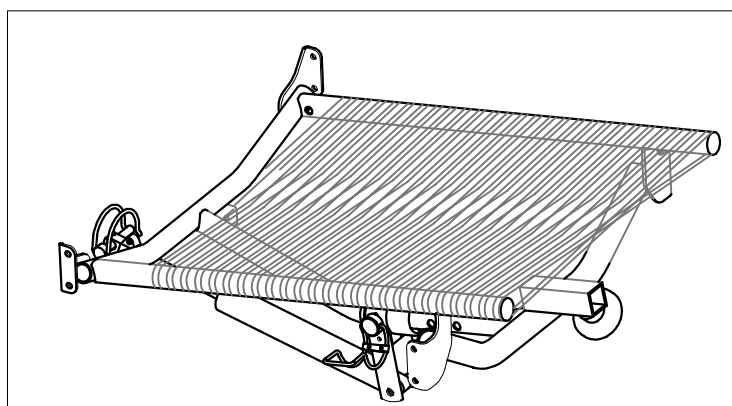
PART NR for BLACK JUDITTA

## Spare Parts RIGHT SIDE and ARM SUPPORT

pag. 5

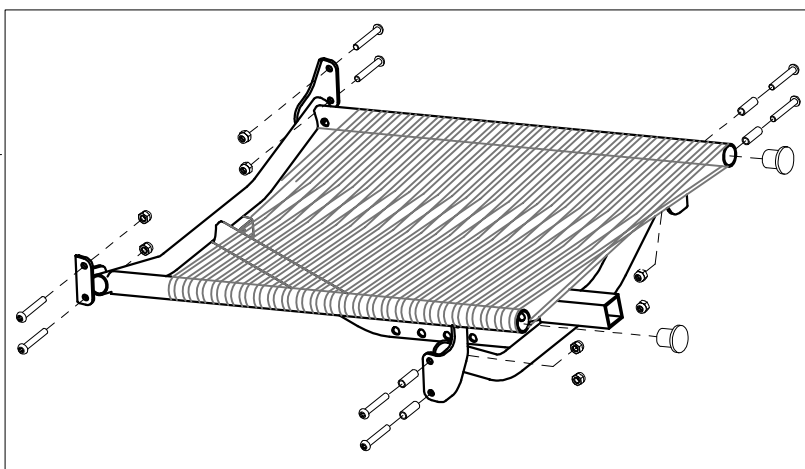
**ORMESA**

*Juditta*

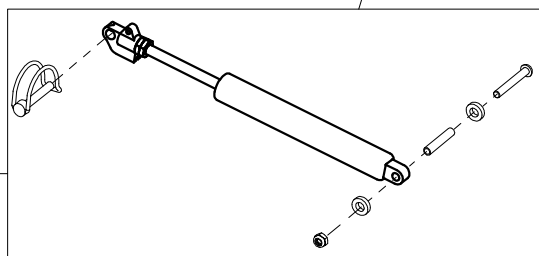


E

E1



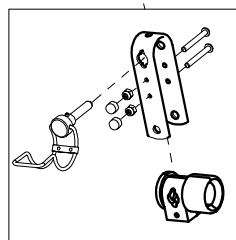
E2



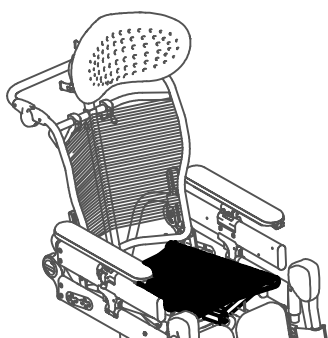
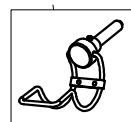
E4



E3



E5



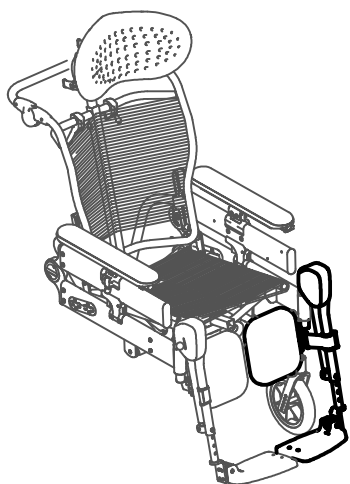
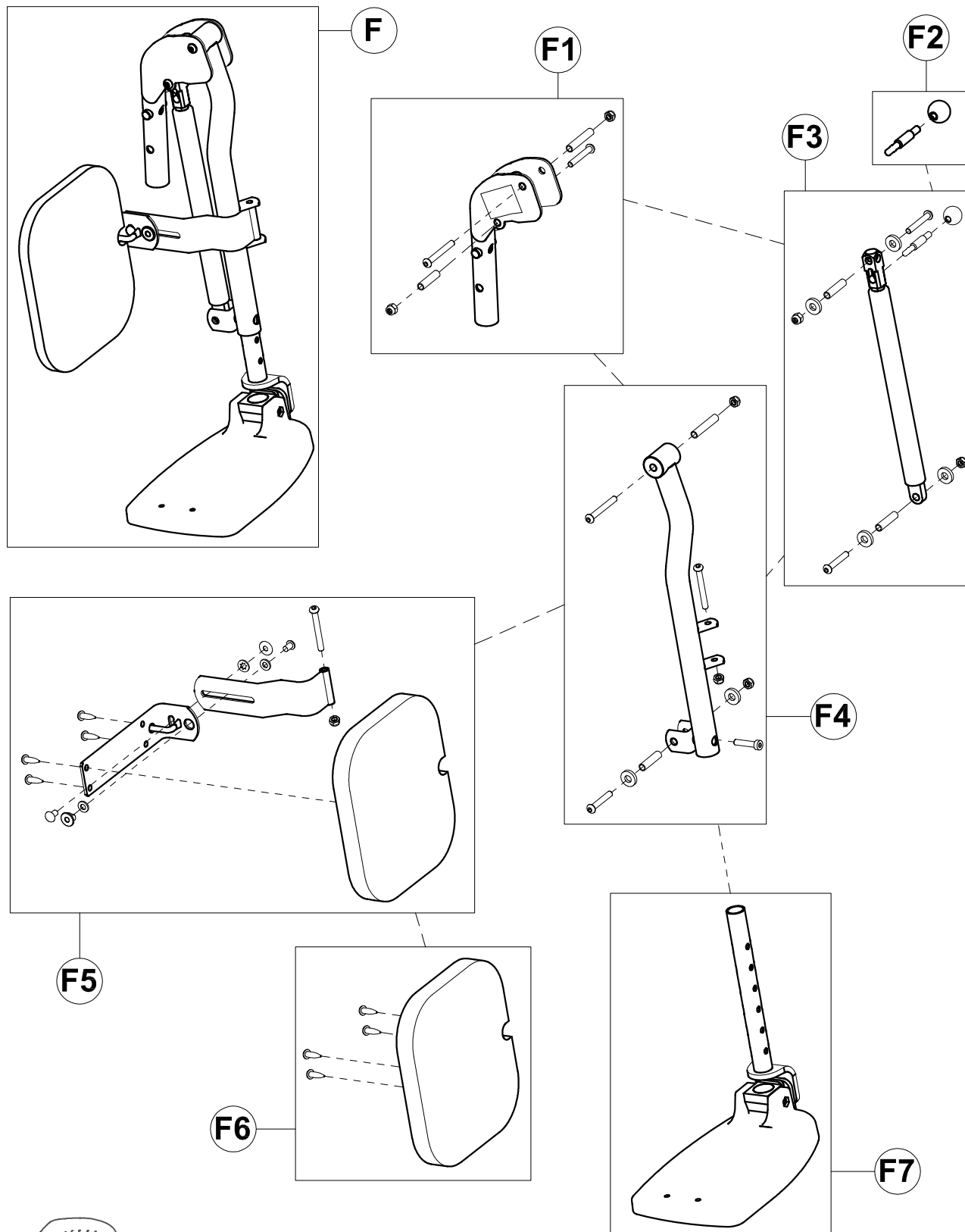
E	302533	COMPLETE SEAT size-50 (WHITE)	/ 302533N (BLACK)
E1	302740	SEAT FRAME +ROPE size-50	/ 302743N (BLACK)
E2	302569	BACKREST GAS SPRING + SCREWS	
E3	302570	GAS SPRING SLIDING FORK	
E4	20761	GAS SPRING SAFETY PIN	
E5	302482	GAS SPRING ADJUSTING PIN	
POS.	PART NR.	DESCRIPTION	PART NR for BLACK JUDITTA

### Spare Parts SEAT size 50

**ORMEDA**

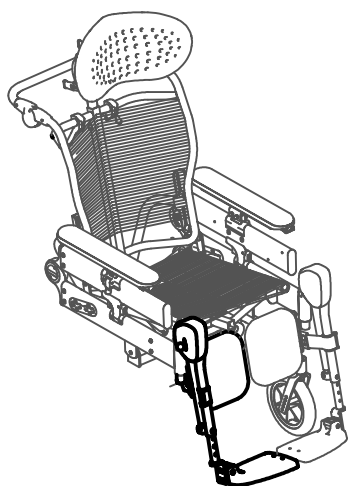
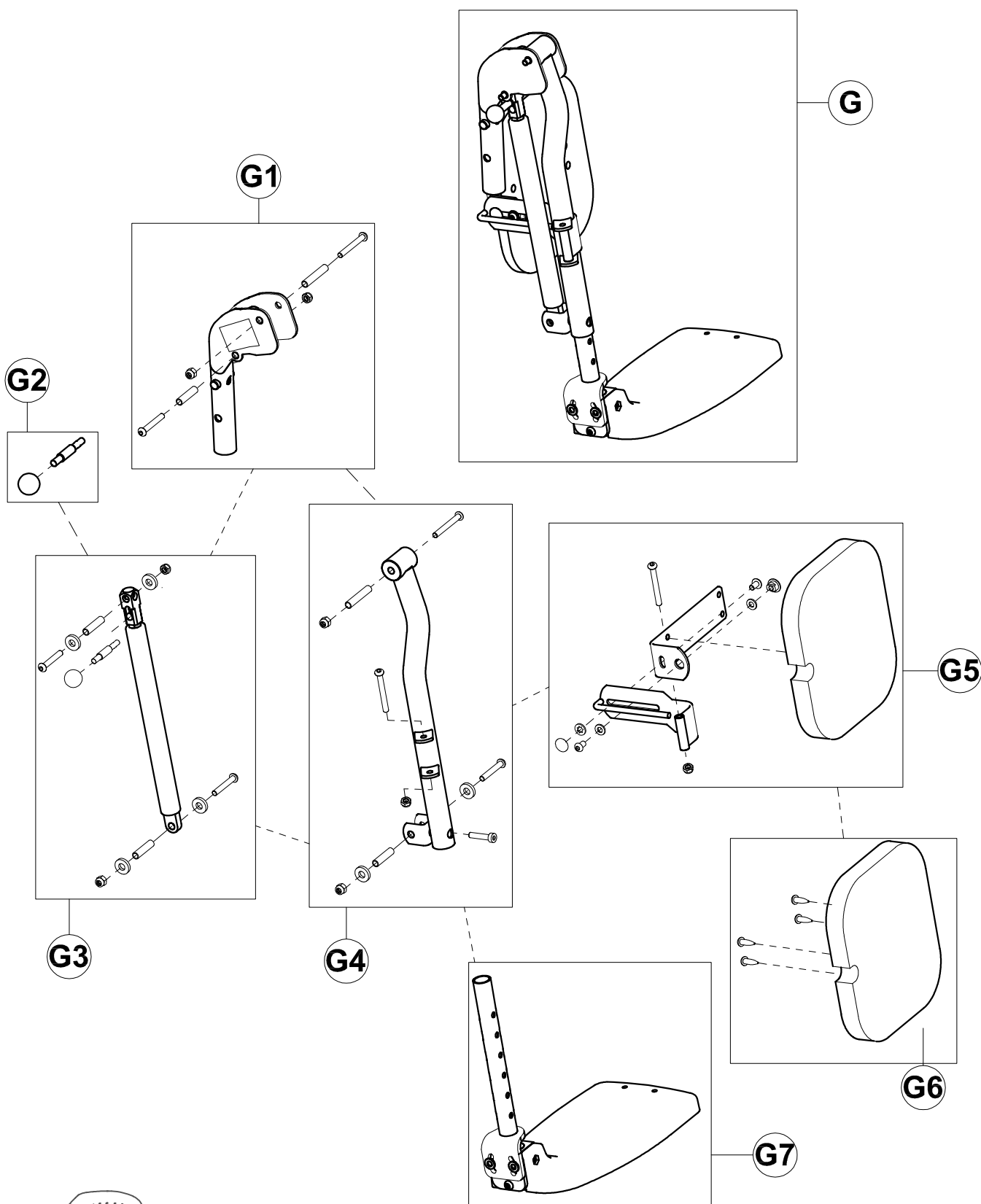
THIS DRAWING BELONGS TO ORMEDA; IT IS FORBIDDEN TO REPRODUCE, CHANGE OR INFORM ANY THIRD PARTY ABOUT ITS CONTENTS

*Juditta*



F	302525	LEFT LEGREST size-50
F1	302572	LEGREST JOINT
F2	302573	KNOB+LEVER for LEGREST GAS SPRING
F3	302578	LEGREST GAS SPRING + SCREWS
F4	302574	LEFT LEGREST FRAME + SCREWS
F5	302577S	LEFT CALFREST+ FRAME size-50
F6	302581S	LEFT CALFREST (UPHOLSTERY+ SCREWS) size-50
F7	302586	LEFT FOOTREST+ VERTICAL BAR size-50
POS.	PART NR.	DESCRIPTION

Spare Parts LEFT LEGREST size-50



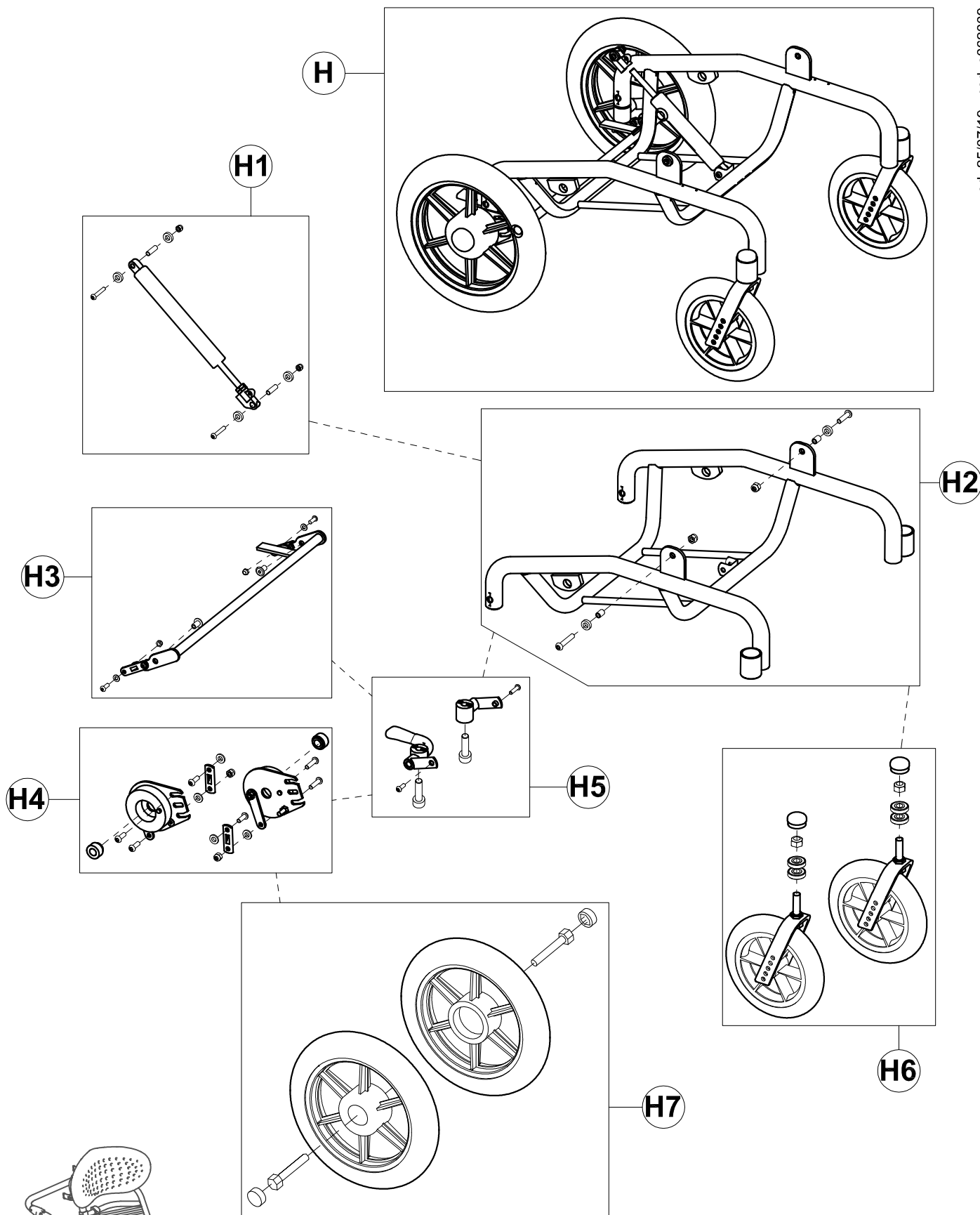
G	302524	RIGHT LEGREST size-50
G1	302572	LEGREST JOINT
G2	302573	KNOB+LEVER for LEGREST GAS SPRING
G3	302578	LEGREST GAS SPRING + SCREWS
G4	302588	RIGHT LEGREST FRAME + SCREWS
G5	302577	RIGHT CALFREST+ FRAME size-50
G6	302581	RIGHT CALFREST (UPHOLSTERY+ SCREWS) size-50
G7	302587	RIGHT FOOTREST+ VERTICAL BAR size-50
POS.	PART NR.	DESCRIPTION

Spare Parts RIGHT LEGREST size-50

**ORMEDA**

THIS DRAWING BELONGS TO ORMESA: IT IS FORBIDDEN TO REPRODUCE, CHANGE OR INFORM ANY THIRD PARTY ABOUT ITS CONTENTS

*Juditta*



H	303134	BASE WITH WHEELS size-50 B30 ( WHITE ) / 303134N ( BLACK )
H1	302589	TILTING GAS SPRING + SCREW
H2	302596	BASE FRAME + SCREWS size-50 ( WHITE ) / 302596N ( BLACK )
H3	303164	BRAKE FRAME + PLATES AND SCREWS size-50
H4	302593	RIGHT-LEFT BRAKE BLOCK + SCREWS
H5	302597	WHEEL B30 HUBS
H6	302598	FRONT WHEELS B30-B60
H7	302599	PAIR OF REAR WHEELS B30

POS. PART NR. DESCRIPTION PART NR for BLACK JUDITTA

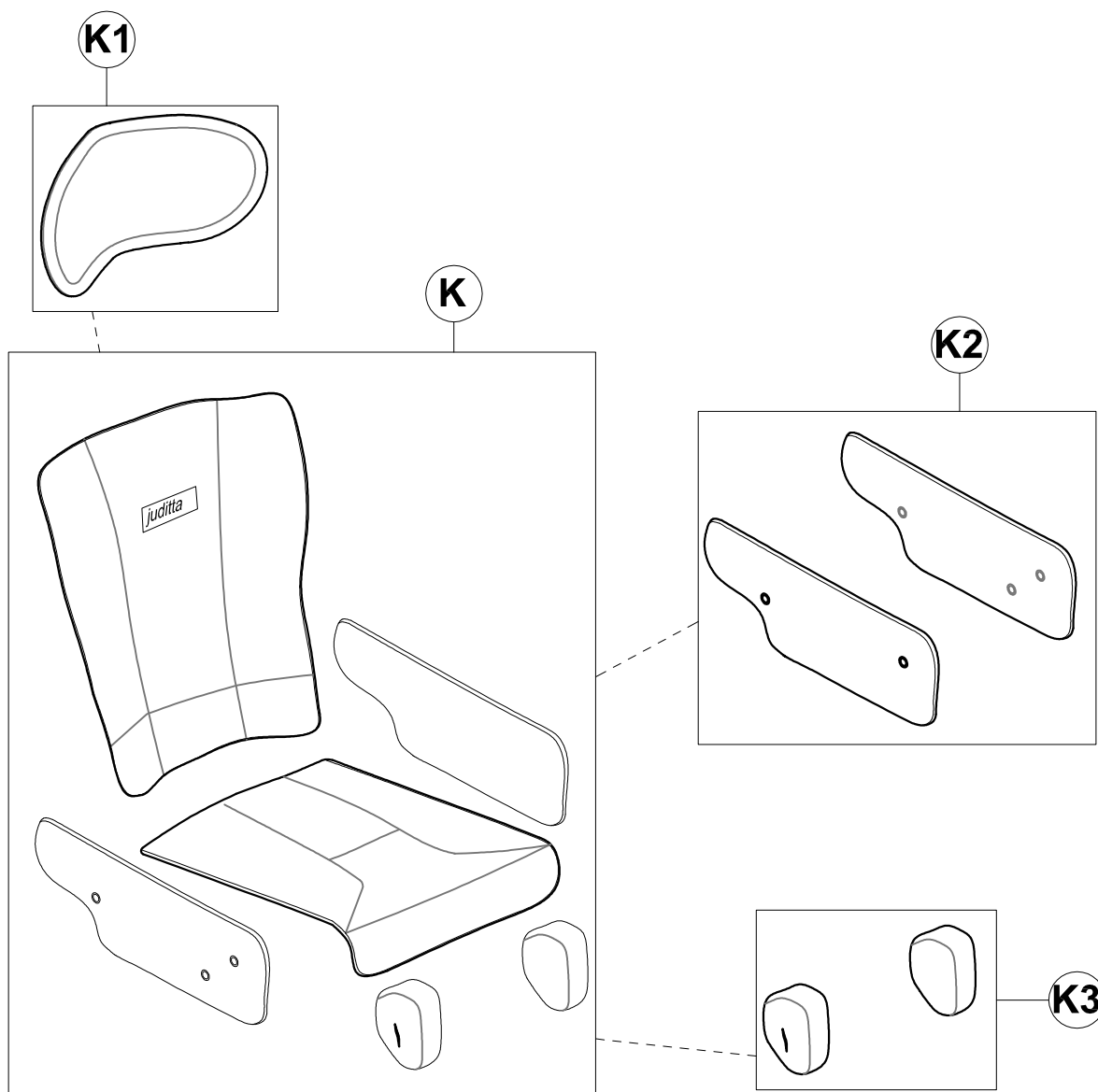
### Spare Parts BASE WITH WHEELS size-50 B30

pag. 9

**ORMEDA**

**Juditta**

THIS DRAWING BELONGS TO ORMEDA: IT IS FORBIDDEN TO REPRODUCE, CHANGE OR INFORM ANY THIRD PARTY ABOUT ITS CONTENTS



	171661	LIGHT GREY UPHOLSTERY SIZE-50
K	171660	DARK GREY UPHOLSTERY SIZE-50
	100771	938-50 UPHOLSTERY (WATERPROOF)
	100127	936 JUDITTA HEADREST COVER LIGHT GREY
K1	100126	936 JUDITTA HEADREST COVER DARK GREY
	100121M	936 JUDITTA HEADREST COVER (WATERPROOF)
K2	171470	UPHOLSTERY SIDES size-40-45-50
K3	171461	UPHOLSTERY LEGREST HINGE
POS.	PART NR.	DESCRIPTION

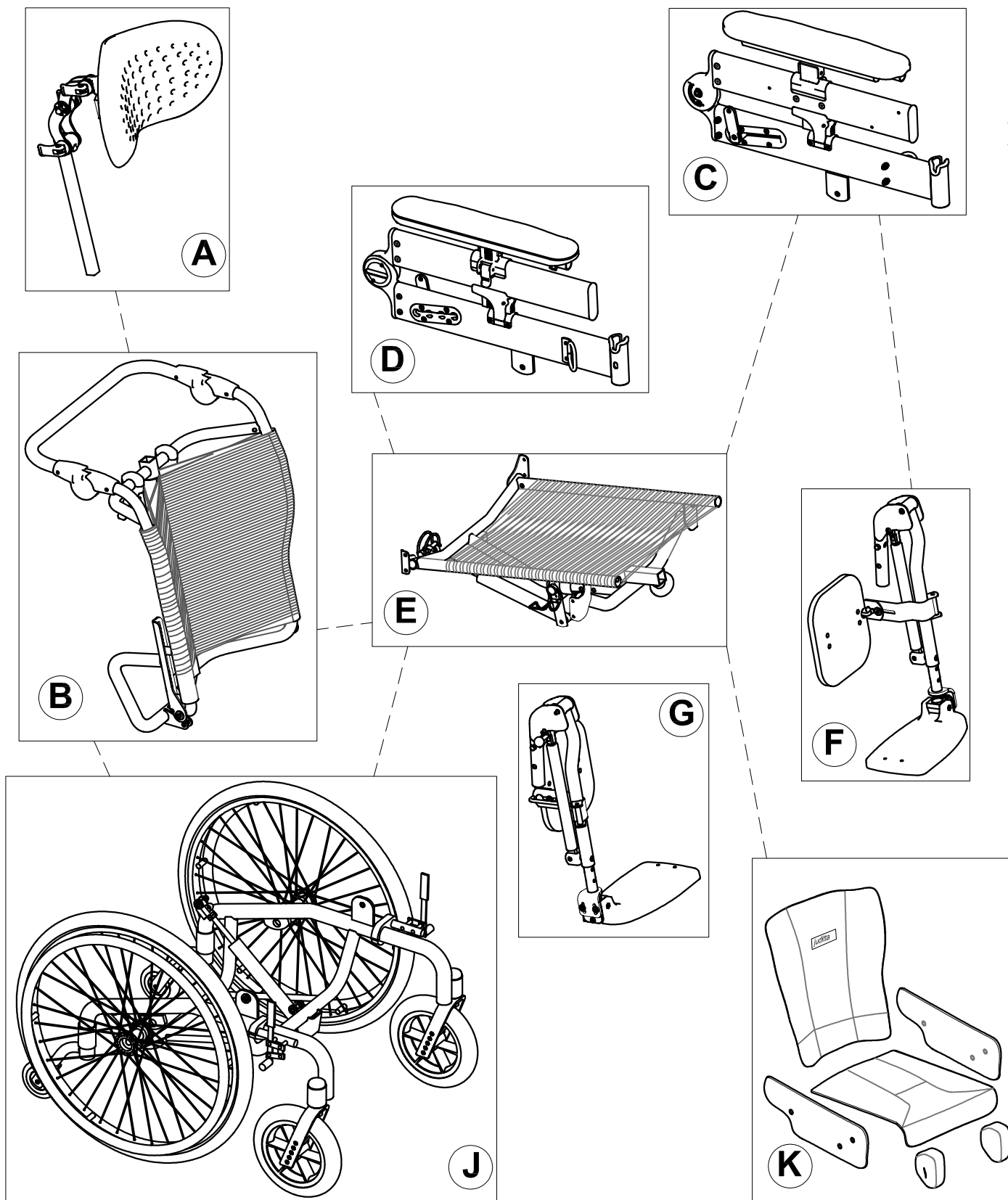
### Spare Parts UPHOLSTERY size 50

pag. 10

**ORMEDA**

*Juditta*

THIS DRAWING BELONGS TO ORMEDA: IT IS FORBIDDEN TO REPRODUCE, CHANGE OR INFORM ANY THIRD PARTY ABOUT ITS CONTENTS



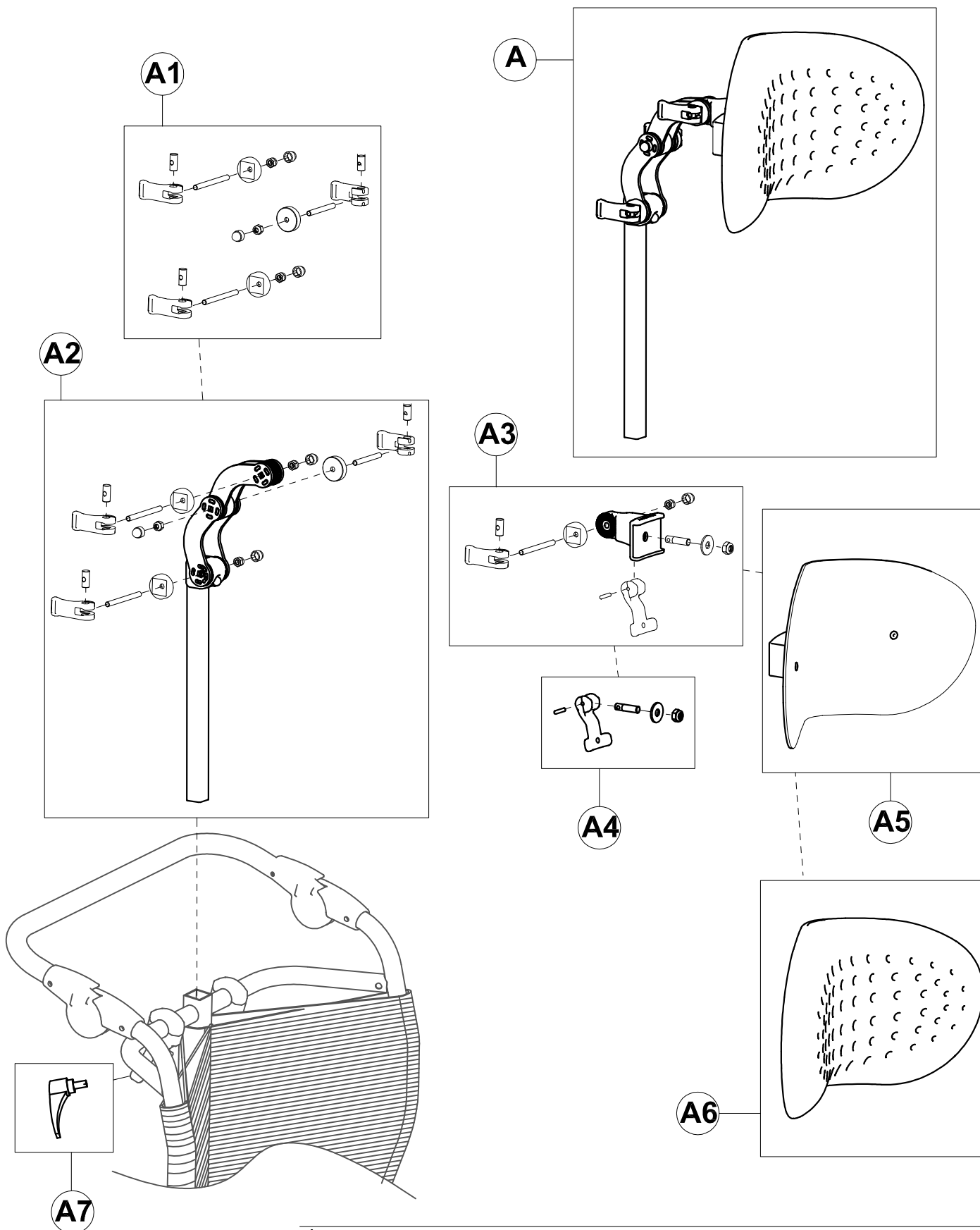
A	302970	COMPLETE HEADREST	
B	303131	COMPLETE BACKREST size-50 ( WHITE )	/ 303131N (BLACK)
C	302530	LEFT SIDE AND ARM SUPPORT ( WHITE )	/ 302530N (BLACK)
D	302529	RIGHT SIDE AND ARM SUPPORT ( WHITE )	/ 302529N (BLACK)
E	302533	COMPLETE SEAT size-50( WHITE )	/ 302533N (BLACK)
F	302525	LEFT LEGREST size-50	
G	302524	RIGHT LEGREST size-50	
J	302528	BASE WITH WHEELS size-50 B60 ( WHITE )	/ 302528N (BLACK)
K	171661	LIGHT GREY UPHOLSTERY SIZE-50	
	171660	DARK GREY UPHOLSTERY SIZE 50	
POS.	PART NR.	DESCRIPTION	PART NR for BLACK JUDITTA

### Spare Parts JUDITTA B60 size 50

pag. 1

**ORMESA**

**Juditta**



A	302970	COMPLETE HEADREST
A1	303257	HEADREST KNOB + JOINT SCREW
A2	303258	HEADREST VERTICAL FRAME WITH JOINT
A3	303259	HEADREST JOINT ATTACK WITH LEVER
A4	303260	HEADREST SLIDING LEVER
A5	302609	HEADREST SHEET METALE
A6	16486	HEADREST ANTIBACTERIAL COATING
A7	14066	ADJUSTABLE HANDLE
POS.	PART NR.	DESCRIPTION

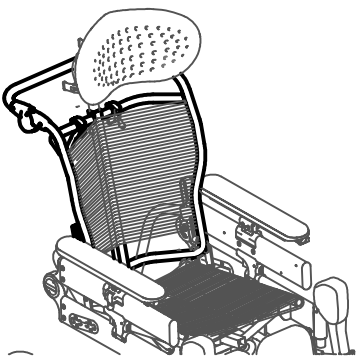
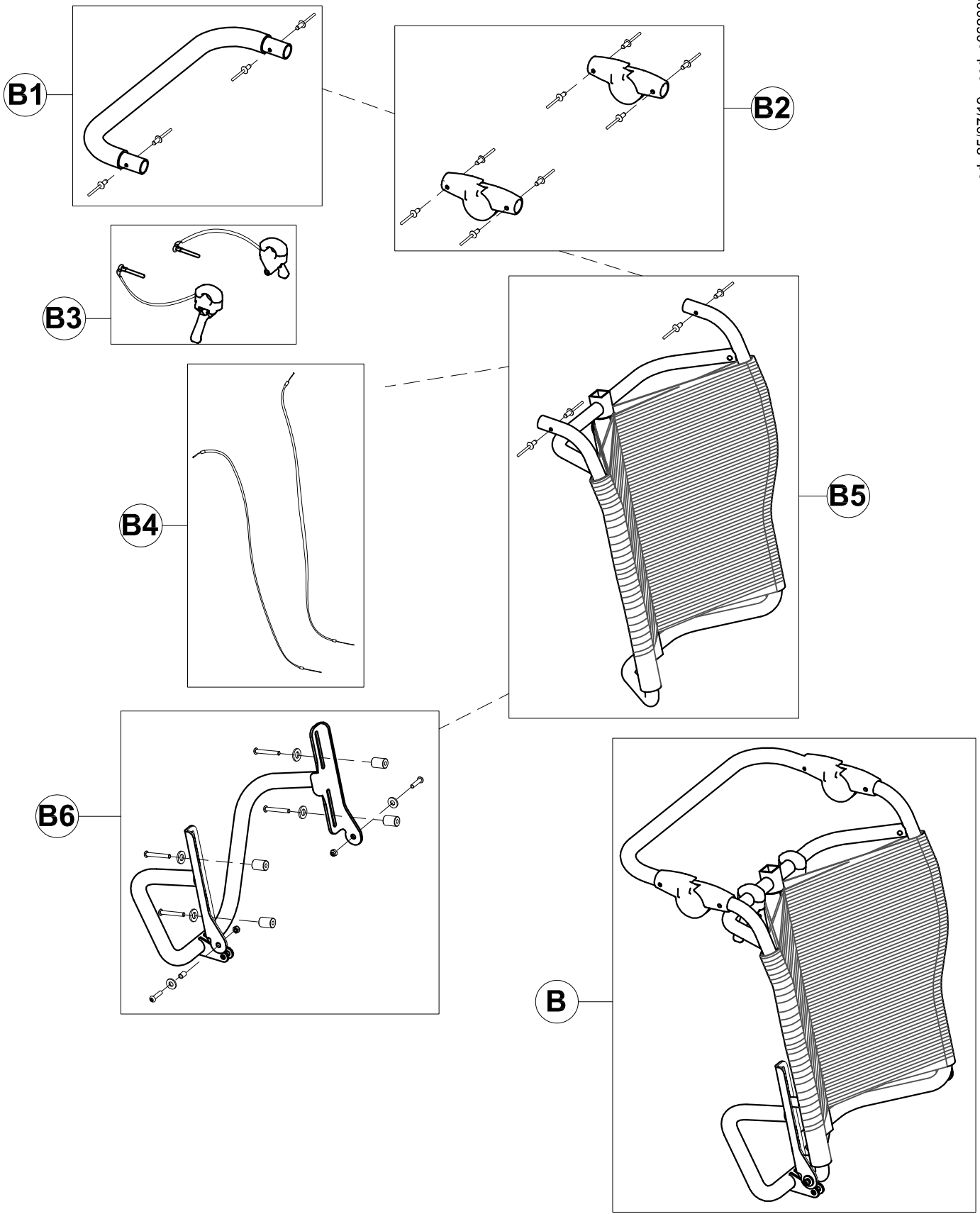
### Spare Parts HEADREST

**ORMEDA**

THIS DRAWING BELONGS TO ORMESA: IT IS FORBIDDEN TO REPRODUCE, CHANGE OR INFORM ANY THIRD PARTY ABOUT ITS CONTENTS

*Juditta*

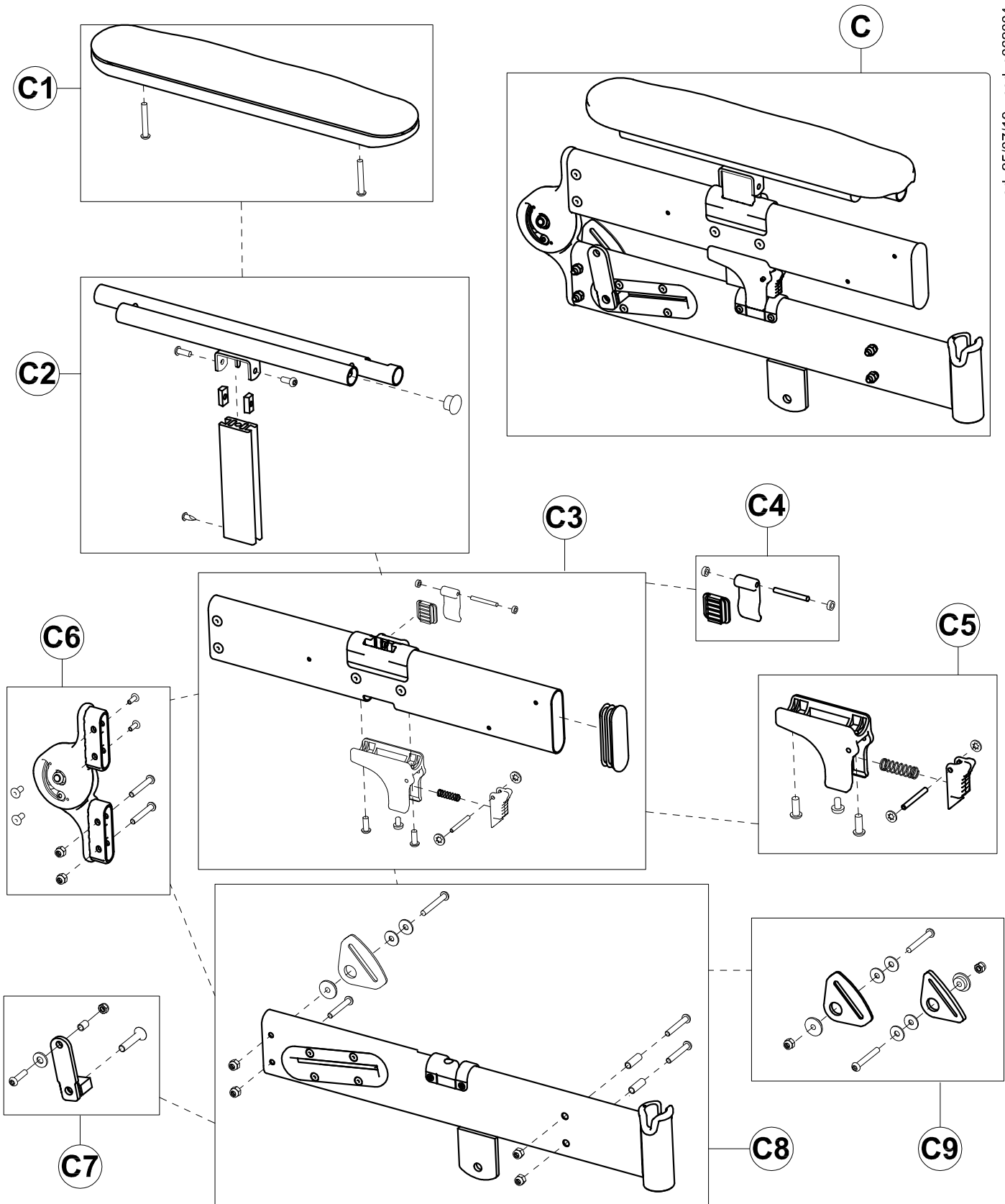




B	303131	COMPLETE BACKREST size-50 ( WHITE )	/ 303131N (BLACK)
B1	302552	COMPLETE PUSH HANDLE size-50	
B2	302553	PAIR OF PUSH HANDLE JOINTS WITH RIVET	
B3	302616	PAIR OF CONTROL LEVERS	
B4	302617	PAIR OF CONTROL CABLES	
B5	303128	BACKREST FRAME +ROPE size-50	/ 303128N (BLACK)
B6	302556	BACKREST SLIDING FRAME size-50	
POS.	PART NR.	DESCRIPTION	PART NR for BLACK JUDITTA

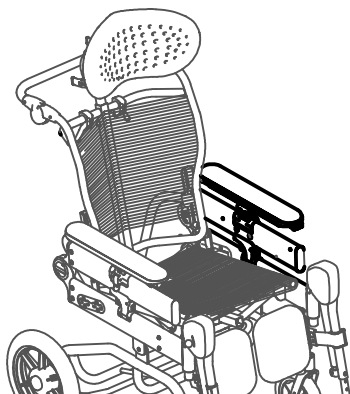
**Spare Parts BACKREST size-50**

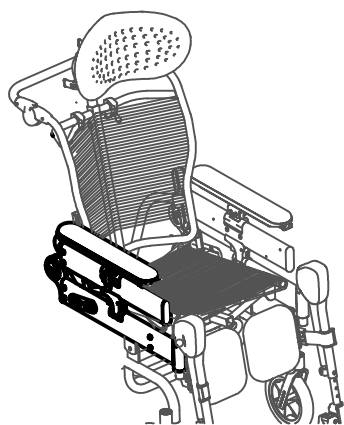
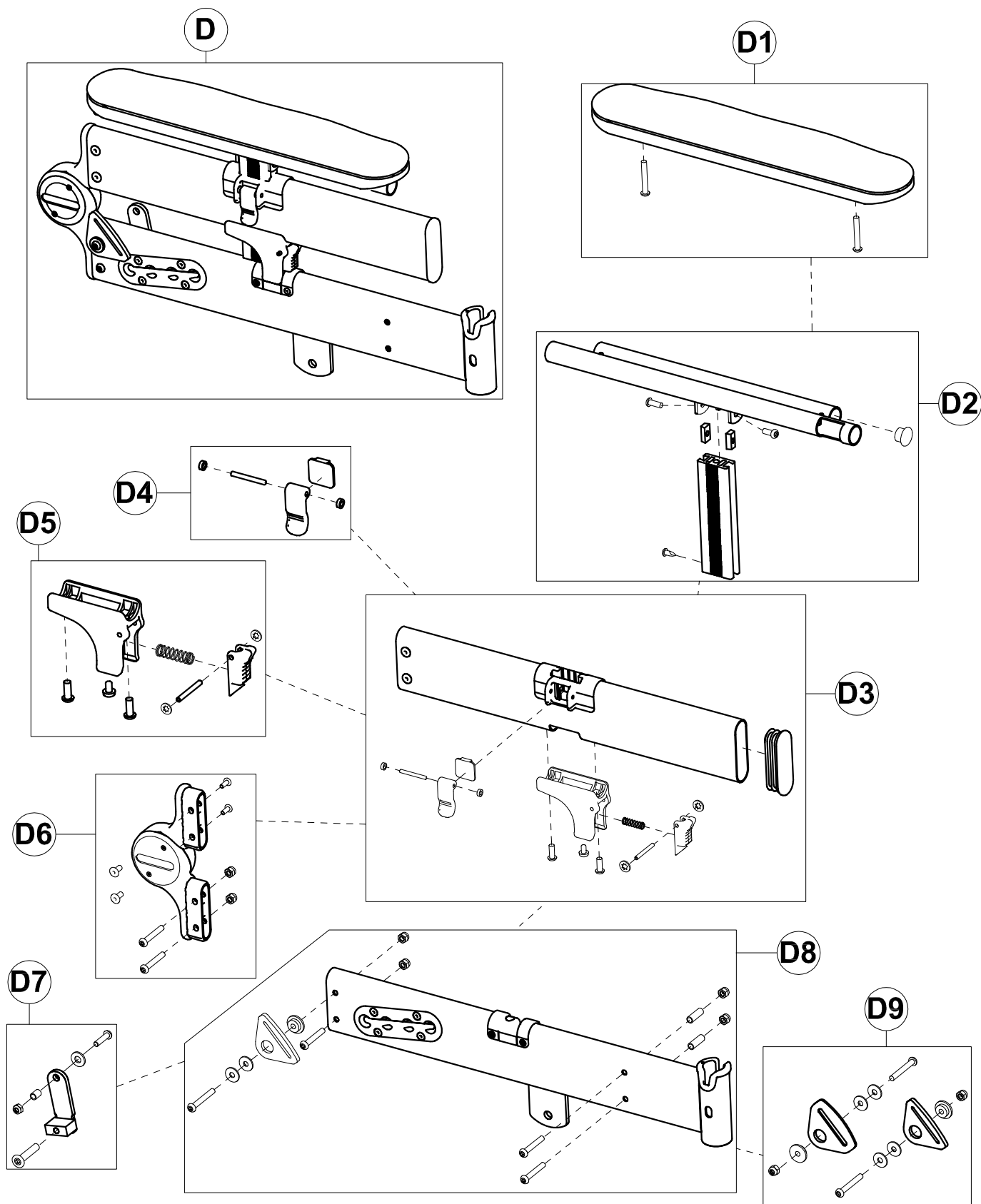




C	302530	LEFT SIDE AND ARM SUPPORT ( WHITE )	/ 302530N (BLACK)
C1	301124	PADDED ARM SUPPORT + SCREWS	
C2	302558	COMPLETE LEFT ARM SUPPORT FRAME	
C3	302560	COMPL. UPPER LEFT SIDE SUPPORT ( WHITE )	/ 302560N (BLACK)
C4	302562	ARM LOCKING LEVER KIT	
C5	302563	UPPER SIDE LOCKING LEVER KIT	
C6	302564	COMPLETE LEFT SIDES HINGE	
C7	302566	HINGE PLATE /BACKREST CURSOR	
C8	302567	COMPL. LOWER LEFT SIDE SUPPORT ( WHITE )	/ 302567N (BLACK)
C9	302850	PAIR OF BUCKLES OF THE 45°PELVIC HARNESS	
POS.	PART NR.	DESCRIPTION	PART NR for BLACK JUDITTA

Spare Parts LEFT SIDE and ARM SUPPORT





D	302529	RIGHT SIDE AND ARM SUPPORT ( WHITE )	/ 302529N ( BLACK )
D1	301124	PADDED ARM SUPPORT + SCREWS	
D2	302559	COMPLETE RIGHT ARM SUPPORT FRAME	
D3	302561	COMPL. UPPER RIGHT SIDE SUPPORT ( WHITE )	/ 302561N ( BLACK )
D4	302562	ARM LOCKING LEVER KIT	
D5	302563	UPPER SIDE LOCKING LEVER KIT	
D6	302565	COMPLETE RIGHT SIDES HINGE	
D7	302566	HINGE PLATE /BACKREST CURSOR	
D8	302568	COMPL. LOWER RIGHT SIDE SUPPORT ( WHITE )	/ 302568N ( BLACK )
D9	302850	PAIR OF BUCKLES OF THE 45°PELVIC HARNESS	

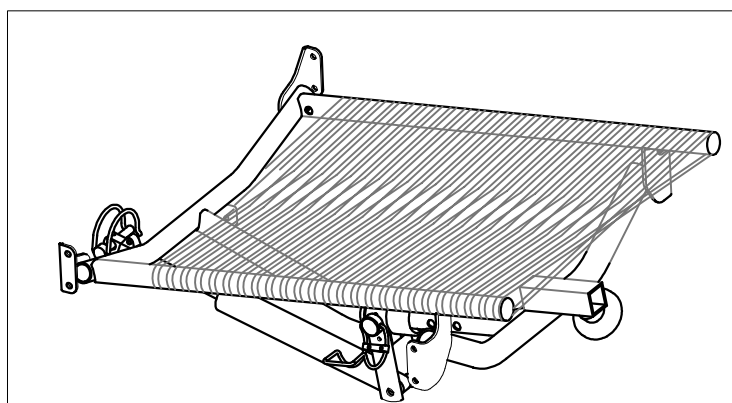
POS. PART NR. DESCRIPTION PART NR for BLACK JUDITTA

## Spare Parts RIGHT SIDE and ARM SUPPORT

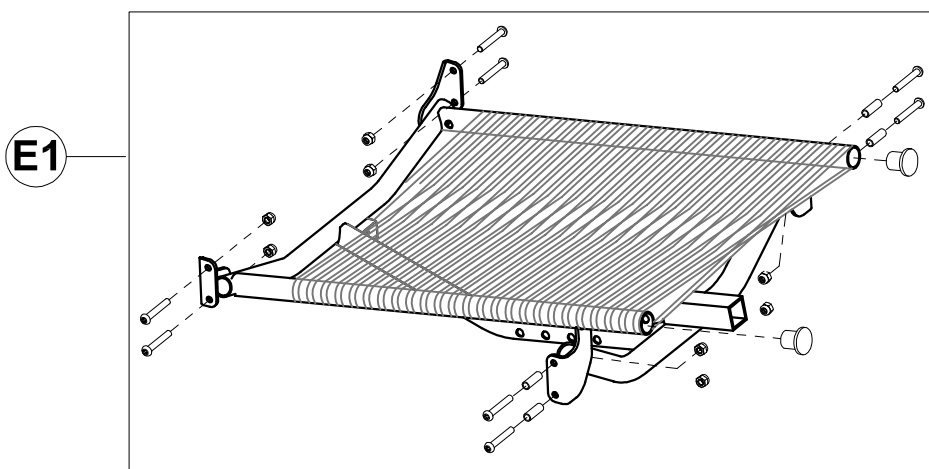
pag. 5

**ORMESA**

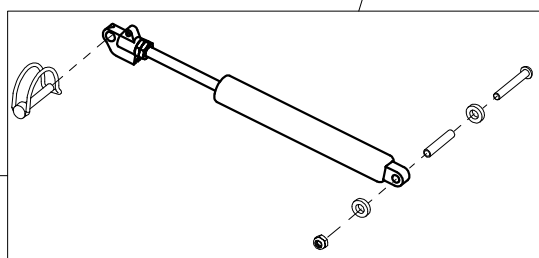
*Juditta*



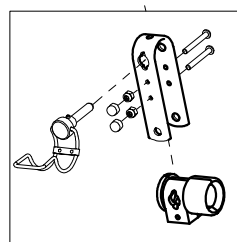
E



E1



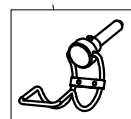
E2



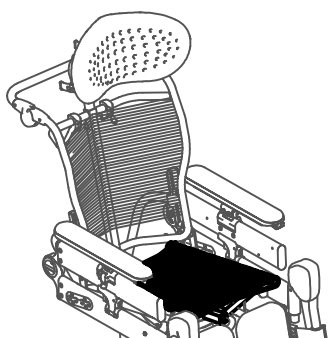
E3



E4



E5



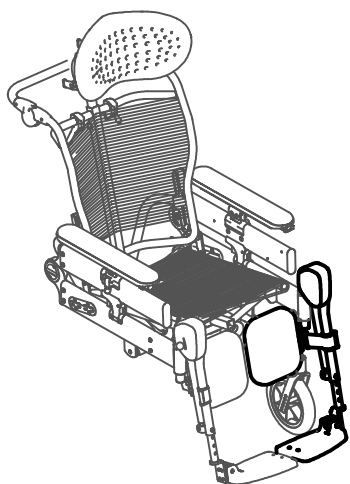
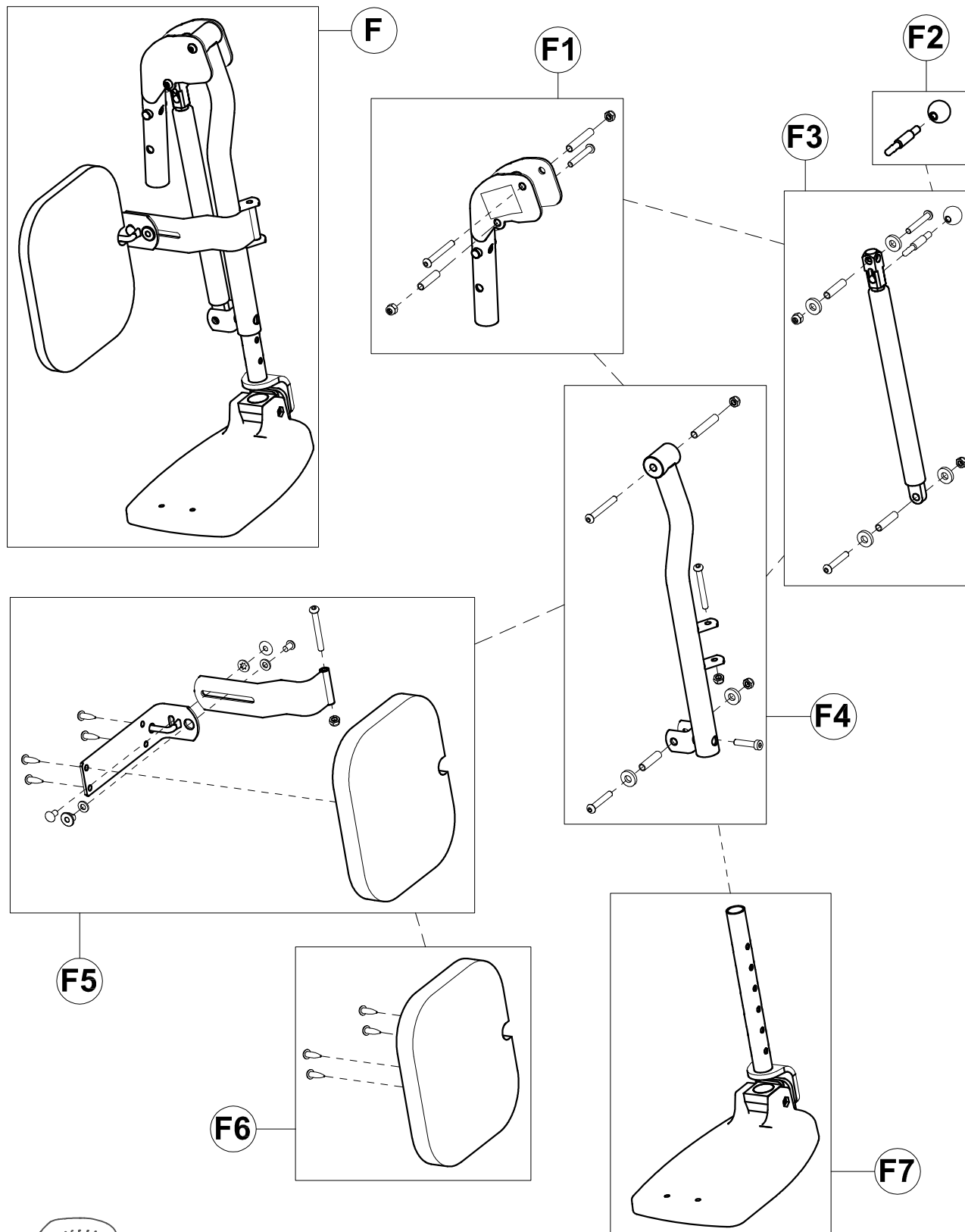
E	302533	COMPLETE SEAT size-50 (WHITE)	/ 302533N (BLACK)
E1	302740	SEAT FRAME +ROPE size-50	/ 302743N (BLACK)
E2	302569	BACKREST GAS SPRING + SCREWS	
E3	302570	GAS SPRING SLIDING FORK	
E4	20761	GAS SPRING SAFETY PIN	
E5	302482	GAS SPRING ADJUSTING PIN	
POS.	PART NR.	DESCRIPTION	PART NR for BLACK JUDITTA

### Spare Parts SEAT size 50

**ORMEDA**

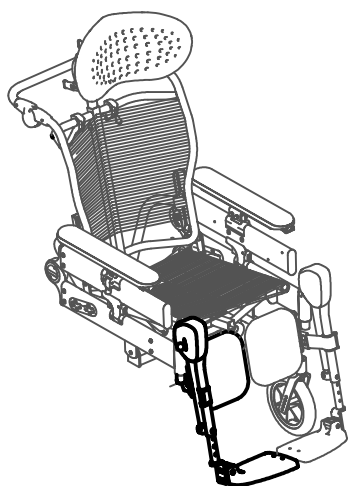
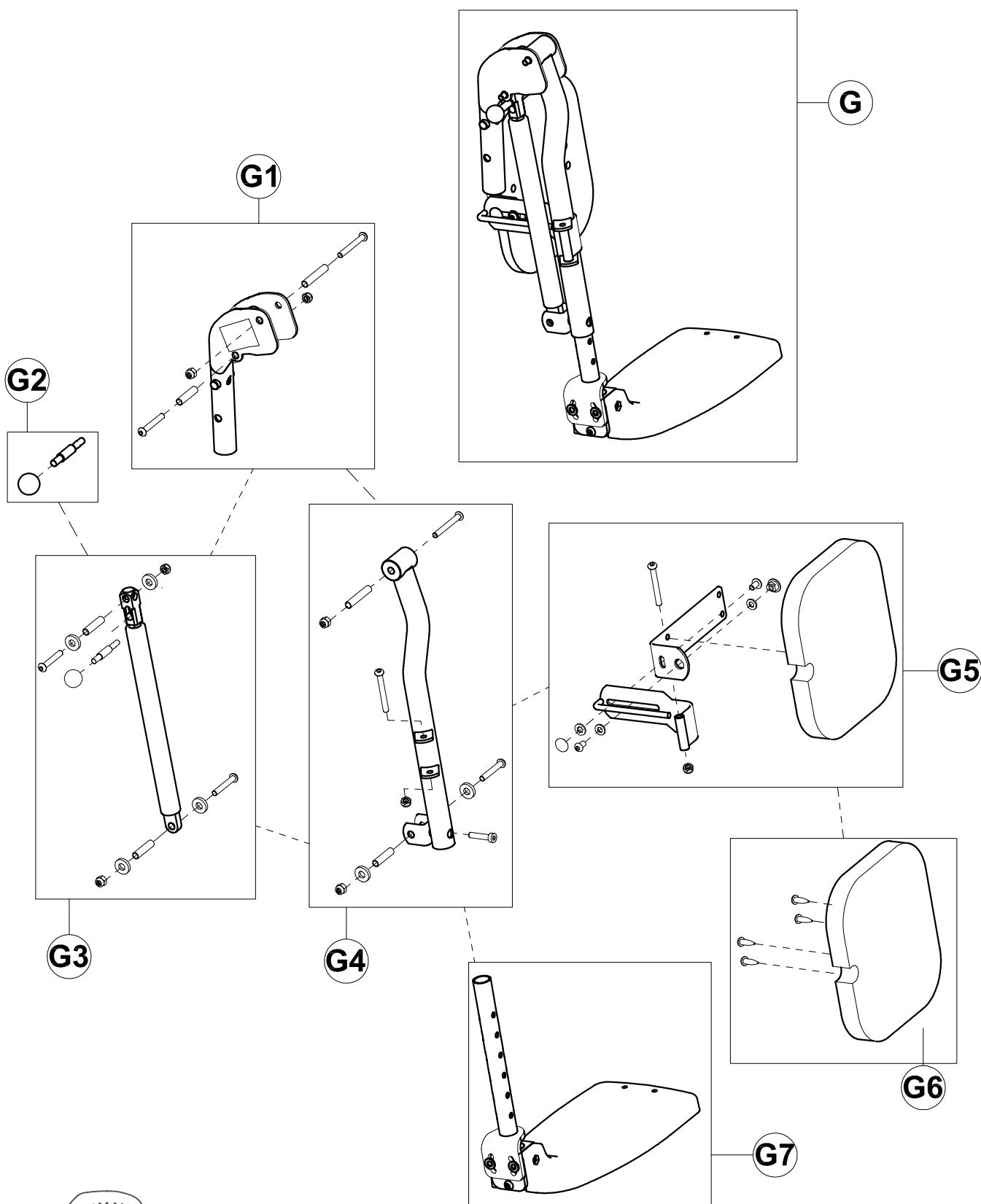
THIS DRAWING BELONGS TO ORMESA; IT IS FORBIDDEN TO REPRODUCE, CHANGE OR INFORM ANY THIRD PARTY ABOUT ITS CONTENTS

*Juditta*



F	302525	LEFT LEGREST size-50
F1	302572	LEGREST JOINT
F2	302573	KNOB+LEVER for LEGREST GAS SPRING
F3	302578	LEGREST GAS SPRING + SCREWS
F4	302574	LEFT LEGREST FRAME + SCREWS
F5	302577S	LEFT CALFREST+ FRAME size-50
F6	302581S	LEFT CALFREST (UPHOLSTERY+ SCREWS) size-50
F7	302586	LEFT FOOTREST+ VERTICAL BAR size-50
POS.	PART NR.	DESCRIPTION

Spare Parts LEFT LEGREST size-50



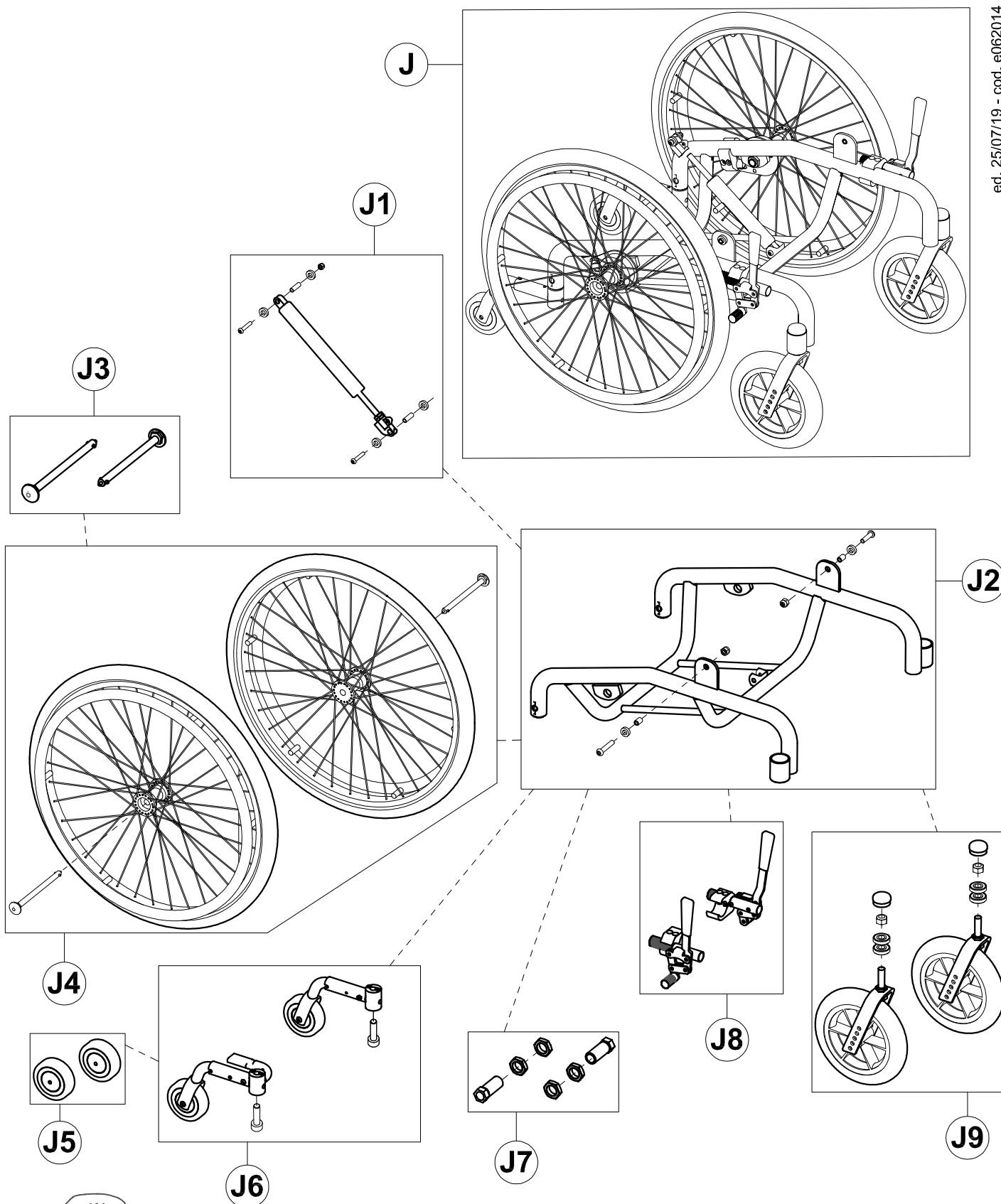
G	302524	RIGHT LEGREST size-50
G1	302572	LEGREST JOINT
G2	302573	KNOB+LEVER for LEGREST GAS SPRING
G3	302578	LEGREST GAS SPRING + SCREWS
G4	302588	RIGHT LEGREST FRAME + SCREWS
G5	302577	RIGHT CALFREST+ FRAME size-50
G6	302581	RIGHT CALFREST (UPHOLSTERY+ SCREWS) size-50
G7	302587	RIGHT FOOTREST+ VERTICAL BAR size-50
POS.	PART NR.	DESCRIPTION

Spare Parts RIGHT LEGREST size-50

**ORMEDA**

THIS DRAWING BELONGS TO ORMESA: IT IS FORBIDDEN TO REPRODUCE, CHANGE OR INFORM ANY THIRD PARTY ABOUT ITS CONTENTS

*Juditta*



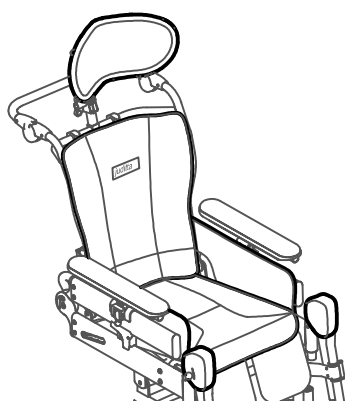
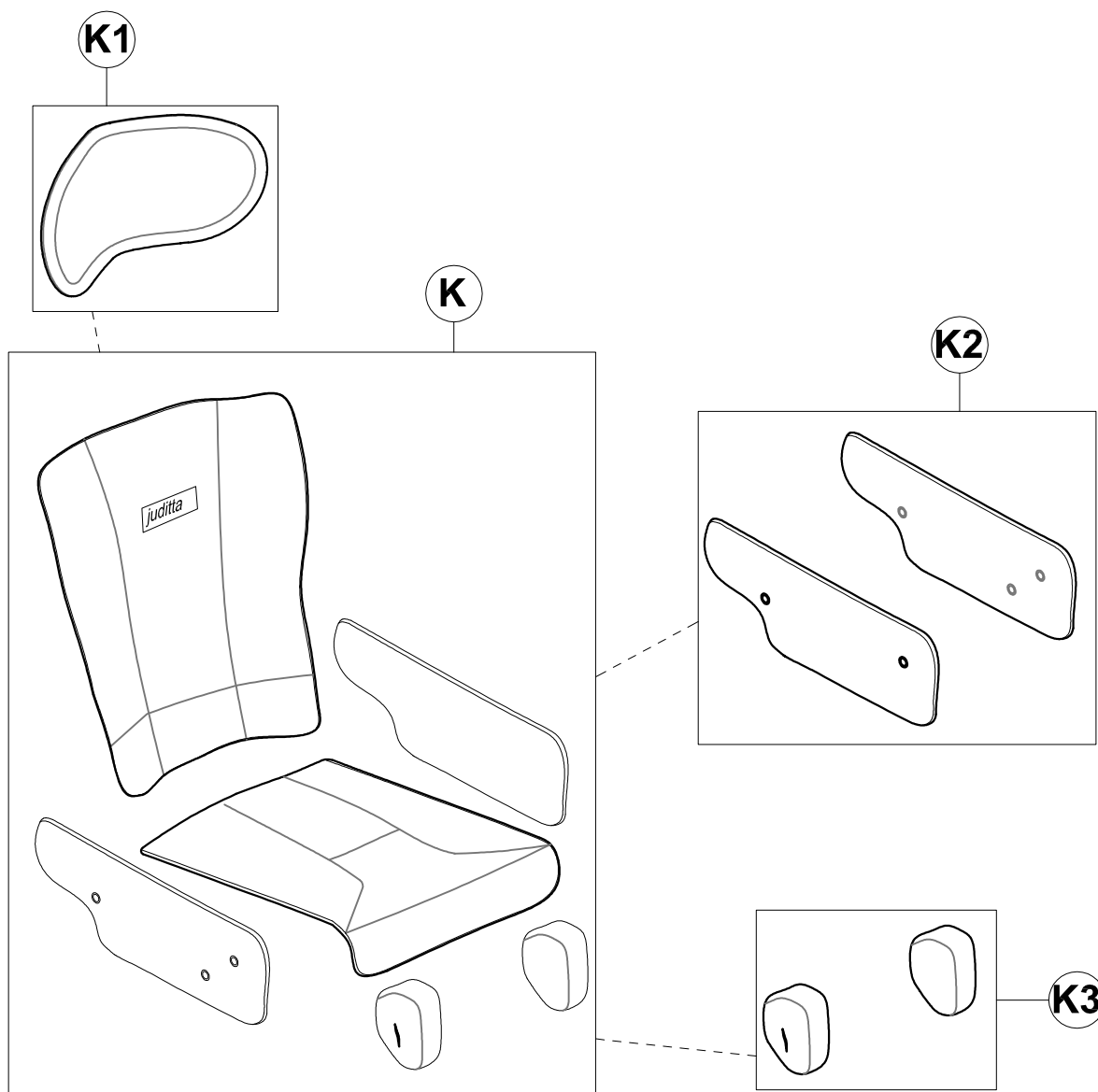
J	302528	BASE WITH WHEELS size-50 B60 ( WHITE )	/ 302528N ( BLACK )
J1	302589	TILTING GAS SPRING + SCREW	
J2	302596	BASE FRAME + SCREWS size-50 ( WHITE )	/ 302596N ( BLACK )
J3	302602	PAIR OF QUICK RELEASE PIN	
J4	302603	B60 WHEELS + PINS	
J5	302605	ANTI-TIP WHEELS	
J6	303291	PAIR OF ANTI-TIP FRAME + WHEELS	
J7	302621	PAIR OF QUICK RELEASE BUSHING +NUTS	
J8	302736	BRAKES B60	
J9	302598	FRONT WHEELS B30-B60	
POS.	PART NR.	DESCRIPTION	PART NR for BLACK JUDITTA

Spare Parts BASE WITH WHEELS size-50 B60

pag. 9

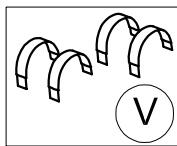
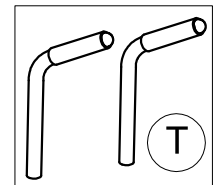
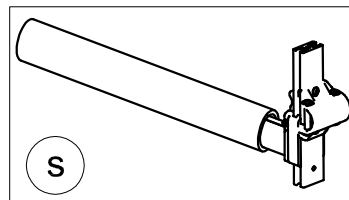
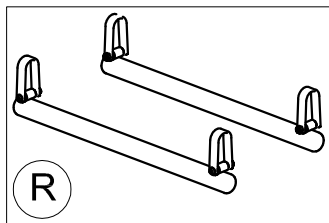
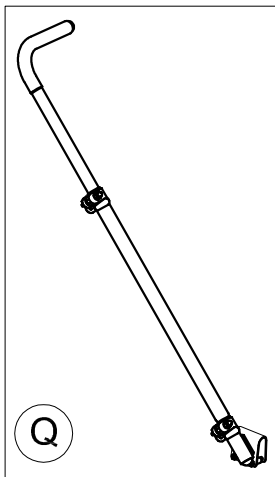
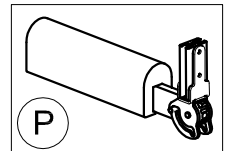
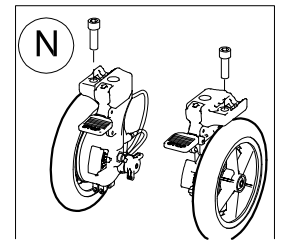
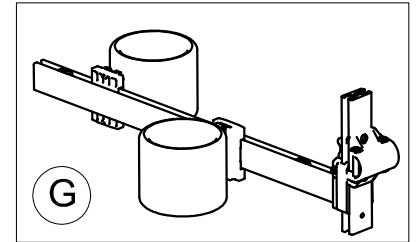
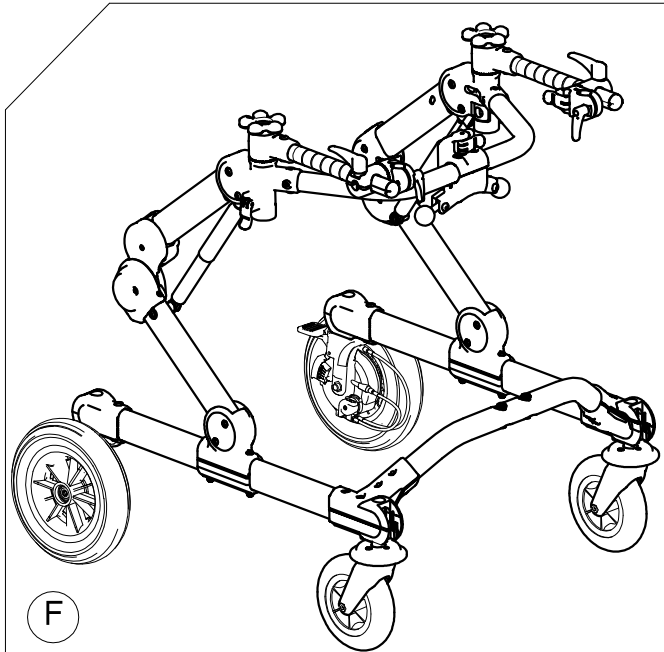
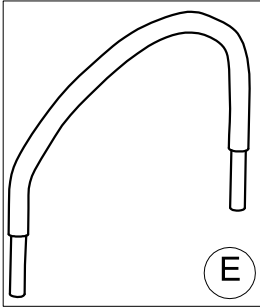
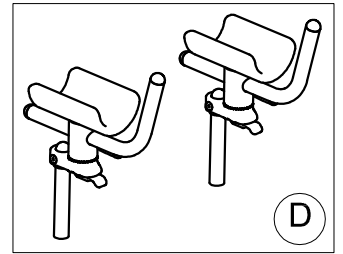
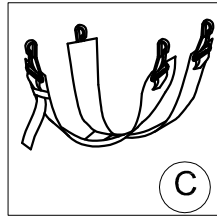
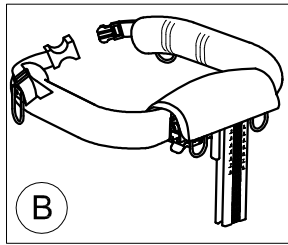
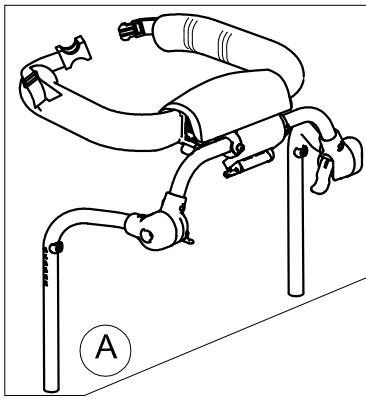
**ORMEDA**

*Juditta*

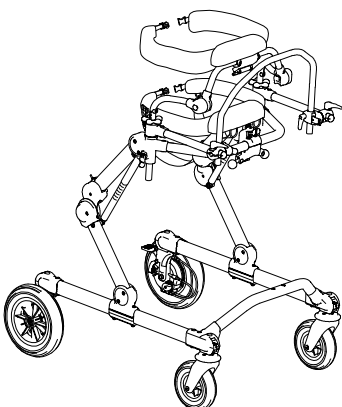


	171661	LIGHT GREY UPHOLSTERY SIZE-50
K	171660	DARK GREY UPHOLSTERY SIZE-50
	100771	938-50 UPHOLSTERY (WATERPROOF)
	100127	936 JUDITTA HEADREST COVER LIGHT GREY
K1	100126	936 JUDITTA HEADREST COVER DARK GREY
	100121M	936 JUDITTA HEADREST COVER (WATERPROOF)
K2	171470	UPHOLSTERY SIDES size-40-45-50
K3	171461	UPHOLSTERY LEGREST HINGE
POS.	PART NR.	DESCRIPTION

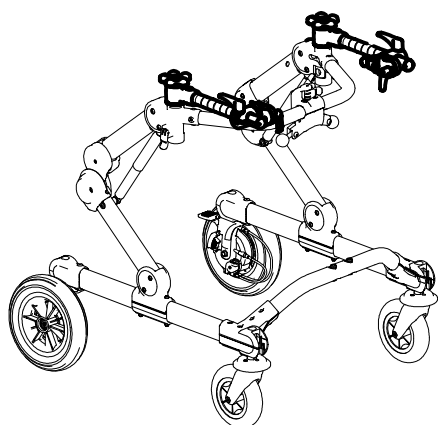
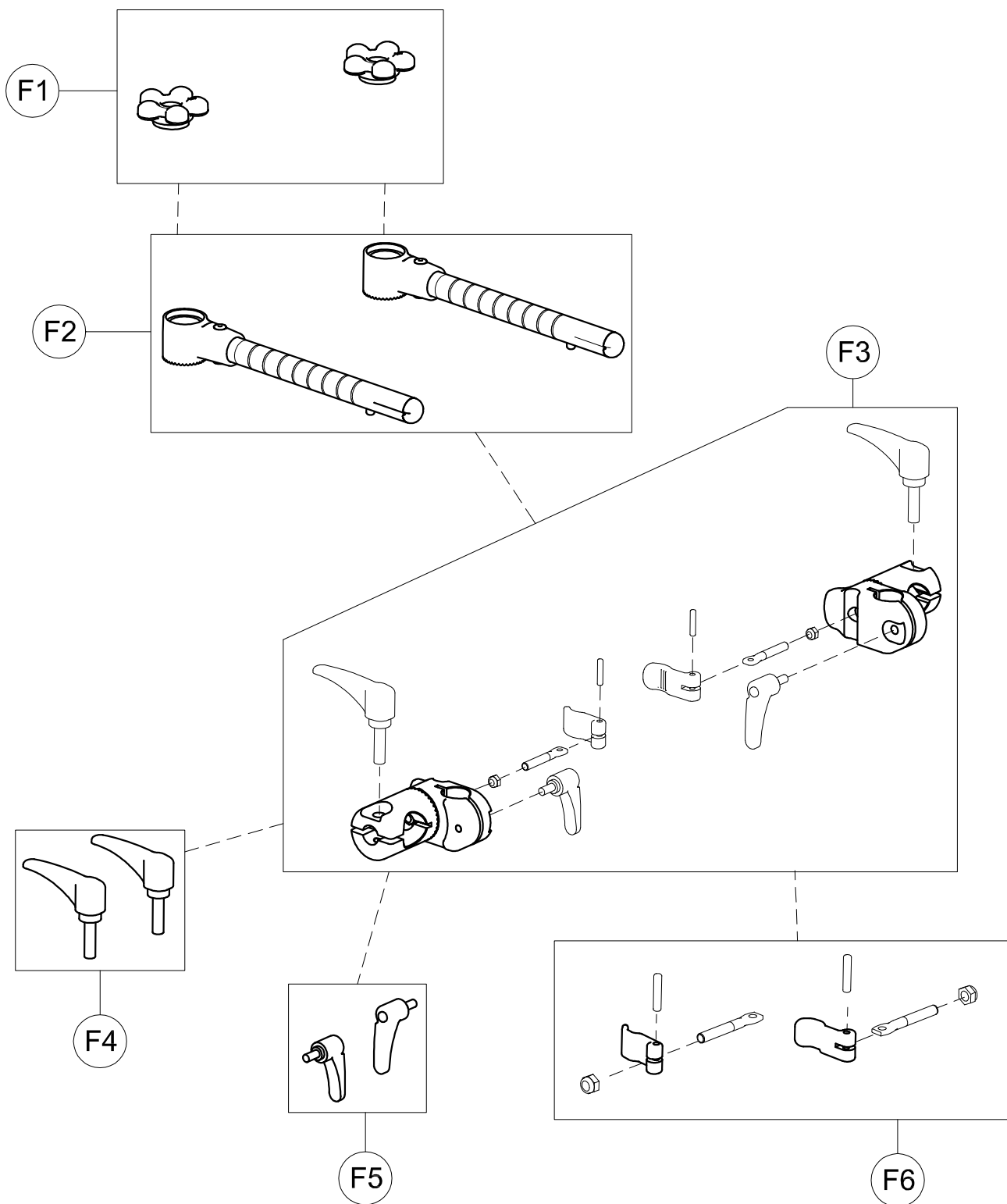
### Spare Parts UPHOLSTERY size 50



A	103640	925-Medium TRUNK SUPPORT
B	103636	924-Medium PELVIC SUPPORT
C	103632	930-Medium PELVIC HARNESS
D	103613	809 Medium ARM SUPPORT
E	103587	926 Medium HANDLEBAR FRONT DRIVE
F	303203	FRAME FOR FRONT DRIVE GRILLO Medium
G	102809	890-C Medium LEG DIVIDER+ABDUCTOR
N	103656	928 medium/large REAR WHEELS NARROW BASE
P	103603	815 Medium SADDLE
Q	103581	923 PUSH HANDLEBAR FOR CARE GIVERS
R	105605	810 Medium PAIR OF WEIGHT BARS GRILLO
S	102812	890-SC Medium LEG DIVIDER
T	102970	939 ERGONOMIC HANDLES
V	103616	943-Medium ARM STRAPS
POS.	PART NR.	DESCRIPTION



Spare Parts FRONT DRIVE GRILLO size Medium



F1	301797	PAIR OF KNOBS TO FIX HORIZONT.SUPPORT.
F2	302284	PAIR OF HORIZONTAL BARS GRILLO medium/large (3-4-5)
F3	302450	RGT-LEFT SUPPORTS OF 809 GRILLO
F4	301799	PAIR OF M8X35 HANDLES
F5	301800	PAIR OF M6X30 HANDLES
F6	301801	SET OF LEVERS TO LOCK THE HANDLEBAR VERTICALLY
POS.	PART NR.	DESCRIPTION

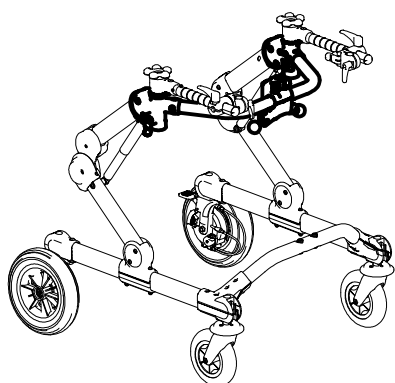
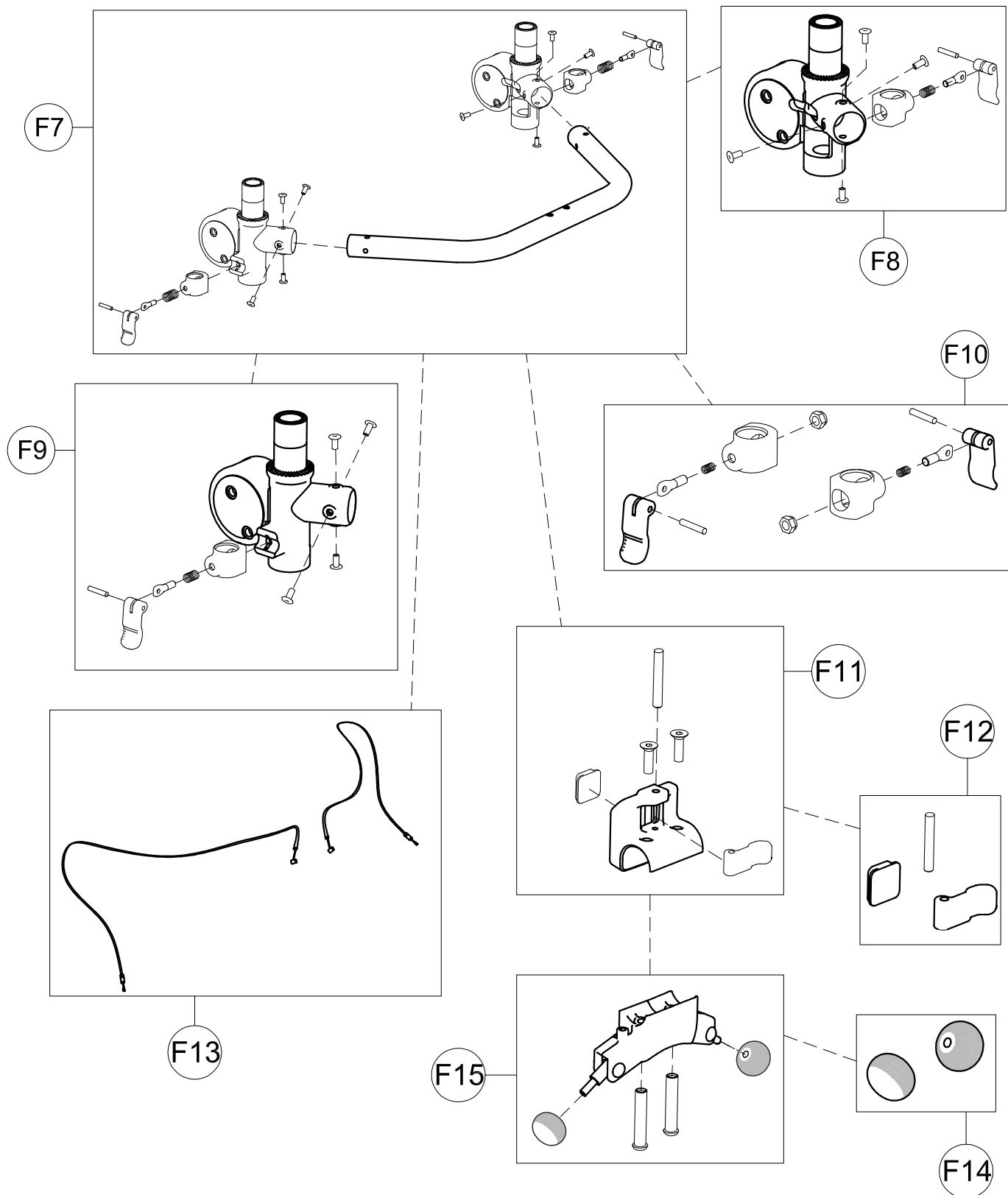
Spare Parts **HANDLEBAR SUPPORT + HORIZONTAL BARS**  
**FRONT-DRIVE GRILLO size Medium**

pag. 2

**ORMESA®**

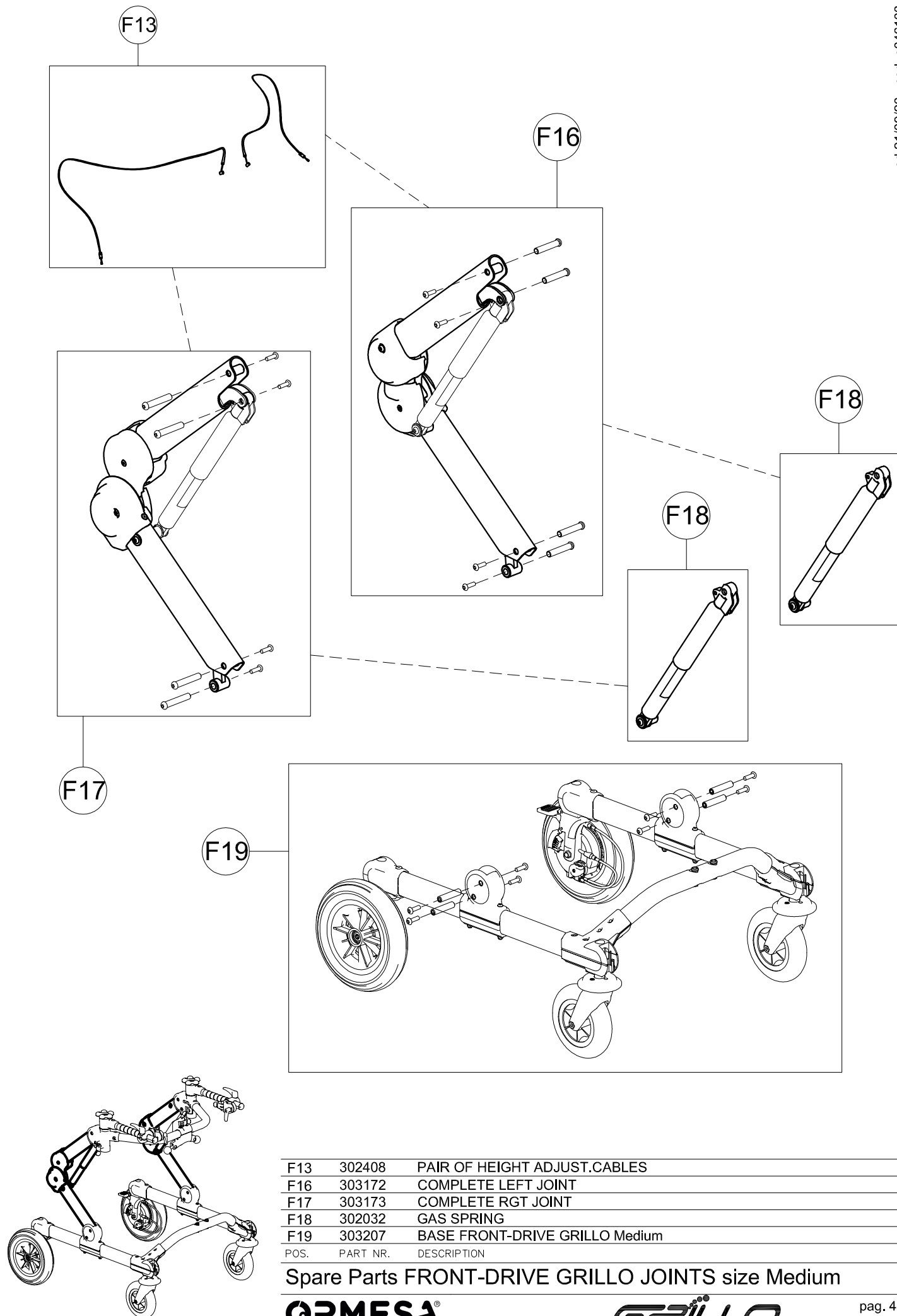
**GRILLO**

THIS DRAWING BELONGS TO ORMESA: IT IS FORBIDDEN TO REPRODUCE, CHANGE OR INFORM ANY THIRD PARTY ABOUT ITS CONTENTS



F7	303205	UPPER CROSSPIECE SUPPORT+LOCKING LEVERS
F8	302287	LEFT UPPER CROSSPIECE SUPPORT+LOCKING LEVER
F9	302286	RIGHT UPPER CROSSPIECE SUPPORT+LOCKING LEVER
F10	302288	SET OF LEVERS TO LOCK TRUNK SUPPORT VERTICALLY
F11	302268	UPPER PELVIC BLOCK FIXING
F12	301806	SET OF LEVER TO LOCK PELVIC SUPP.VERTICALLY
F13	302408	PAIR OF HEIGHT ADJUST.CABLES GRILLO medium(3-4)
F14	301808	PAIR OF KNOBS FOR GAS SPRING GRILLO
F15	302823	OPERATING LEVER SUPPORT
POS.	PART NR.	DESCRIPTION

Spare Parts UPPER PART OF FRONT-DRIVE  
GRILLO BASE size Medium

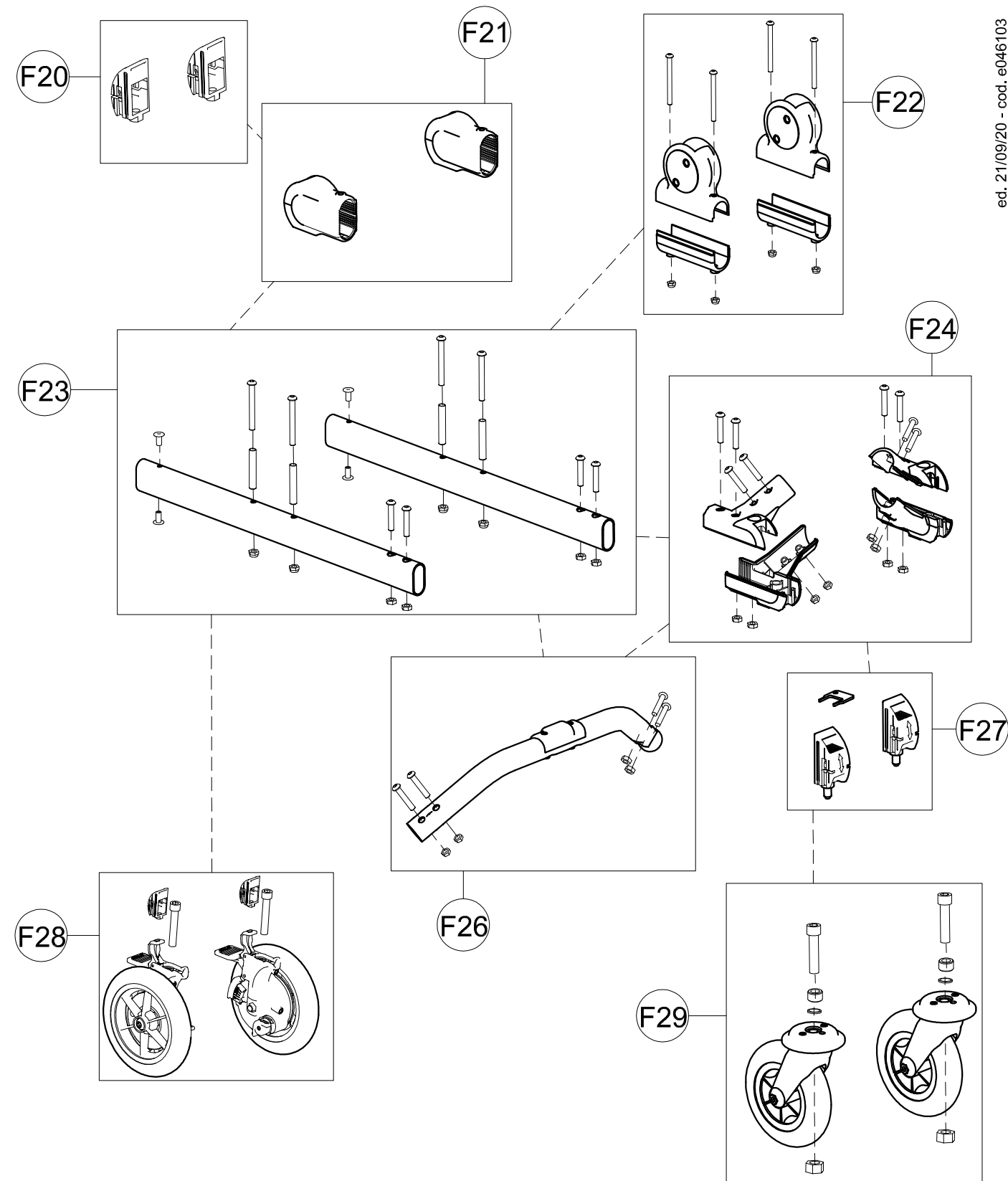


F13	302408	PAIR OF HEIGHT ADJUST.CABLES
F16	303172	COMPLETE LEFT JOINT
F17	303173	COMPLETE RGT JOINT
F18	302032	GAS SPRING
F19	303207	BASE FRONT-DRIVE GRILLO Medium
POS.	PART NR.	DESCRIPTION

Spare Parts FRONT-DRIVE GRILLO JOINTS size Medium

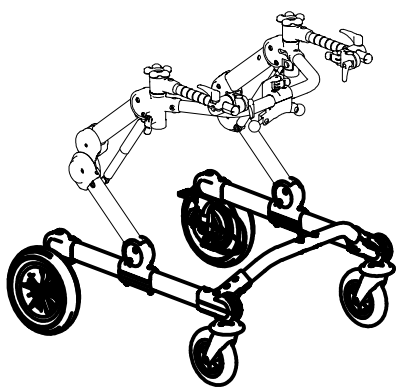
**ORMESA®**

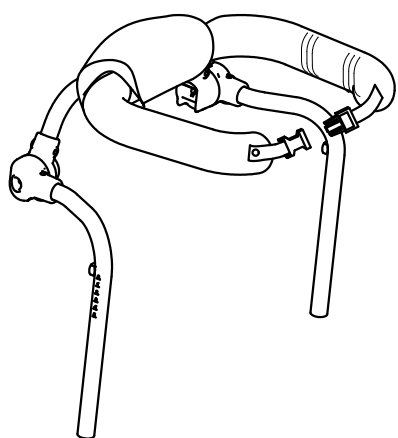
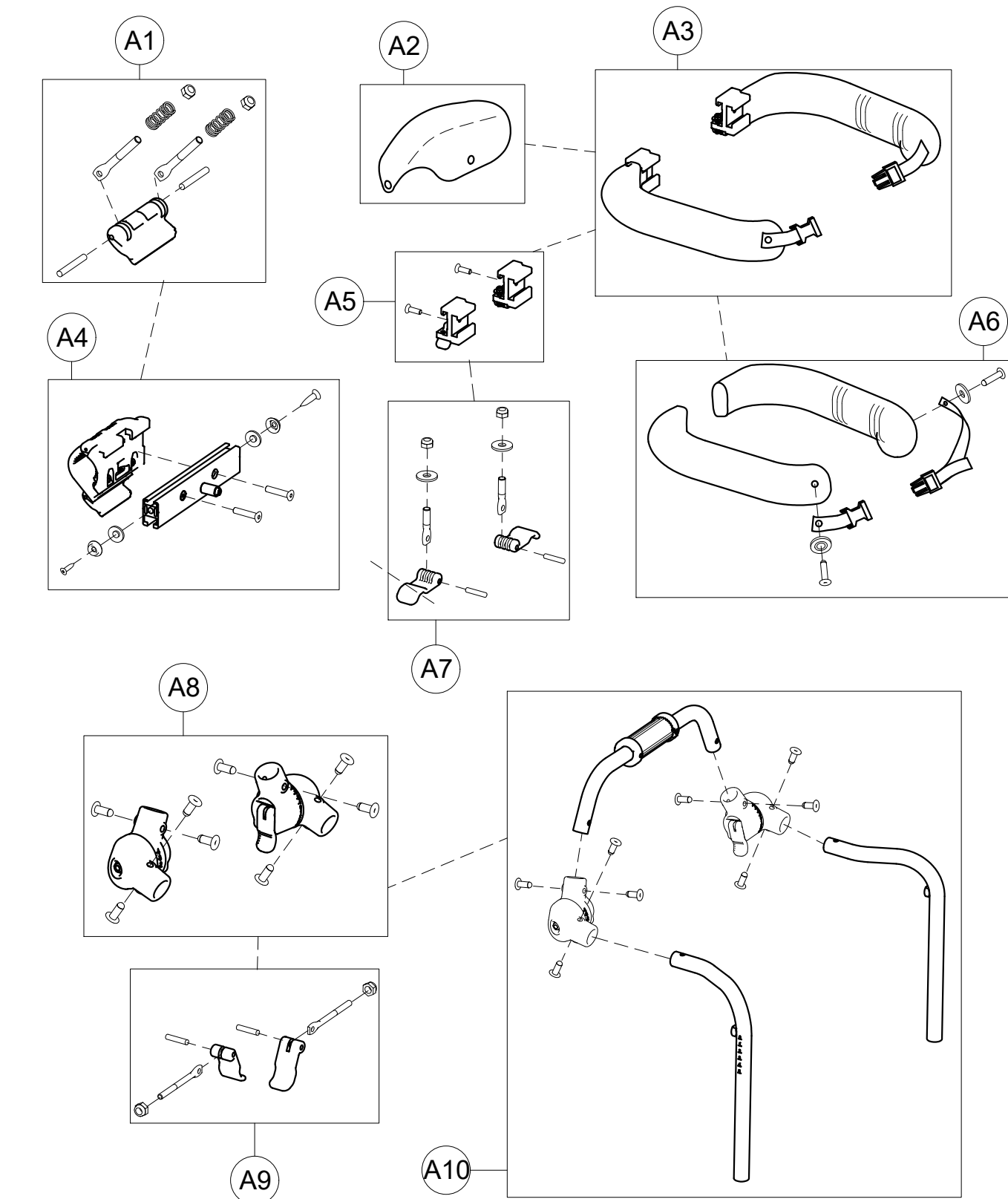
**GRILLO**



F20	303508	PAIR OF DIRECT.CAPS FOR WHEELS
F21	303208	PAIR OF WHEEL SUPPORTS
F22	301812	PAIR OF UPPER/LOWER SUPPORTS OF SIDE
F23	303210	PAIR OF SIDE SUPPORTS
F24	303211	KIT OF LOWER CROSSPIECE SUPPORT
F26	303214	LOWER CROSSPIECE+SCREWS
F27	302546	PAIR OF DIRECTION LOCKS
F28	303476	PAIR OF COMPLETE REAR WHEELS
F29	303387	PAIR OF COMPLETE FRONT WHEELS
POS.	PART NR.	DESCRIPTION

Spare Parts LOWER PART OF FRONT-DRIVE  
GRILLO BASE size Medium





A1	301832	SET OF CLAMPING LEVER TO ROTATE TRUNK SUPPORT
A2	160571P	CENTRAL PADDING
A3	303192	PAIR OF TRUNK HALF SUPPORT
A4	302222	EXTERNAL ROTATION SUPPORT + WIDTH ADJUSTMENT
A5	302298	PAIR OF PROFILE TO SLIDE TRUNK/PELVIC SUPPORT
A6	303222	PAIR OF TRUNK PADDING + STRAPS AND RIVETS
A7	301842	SET OF LEVERS FOR TRUNK SUPPORT WIDTH
A8	303223	PAIR OF TRUNK SUPPORT JOINTS
A9	301843	SET OF TRUNK SUPPORT JOINT LEVERS
A10	303411	FRAME+JOINTS TRUNK SUPPORT

POS. PART NR. DESCRIPTION

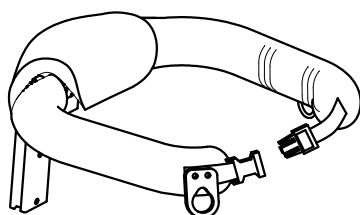
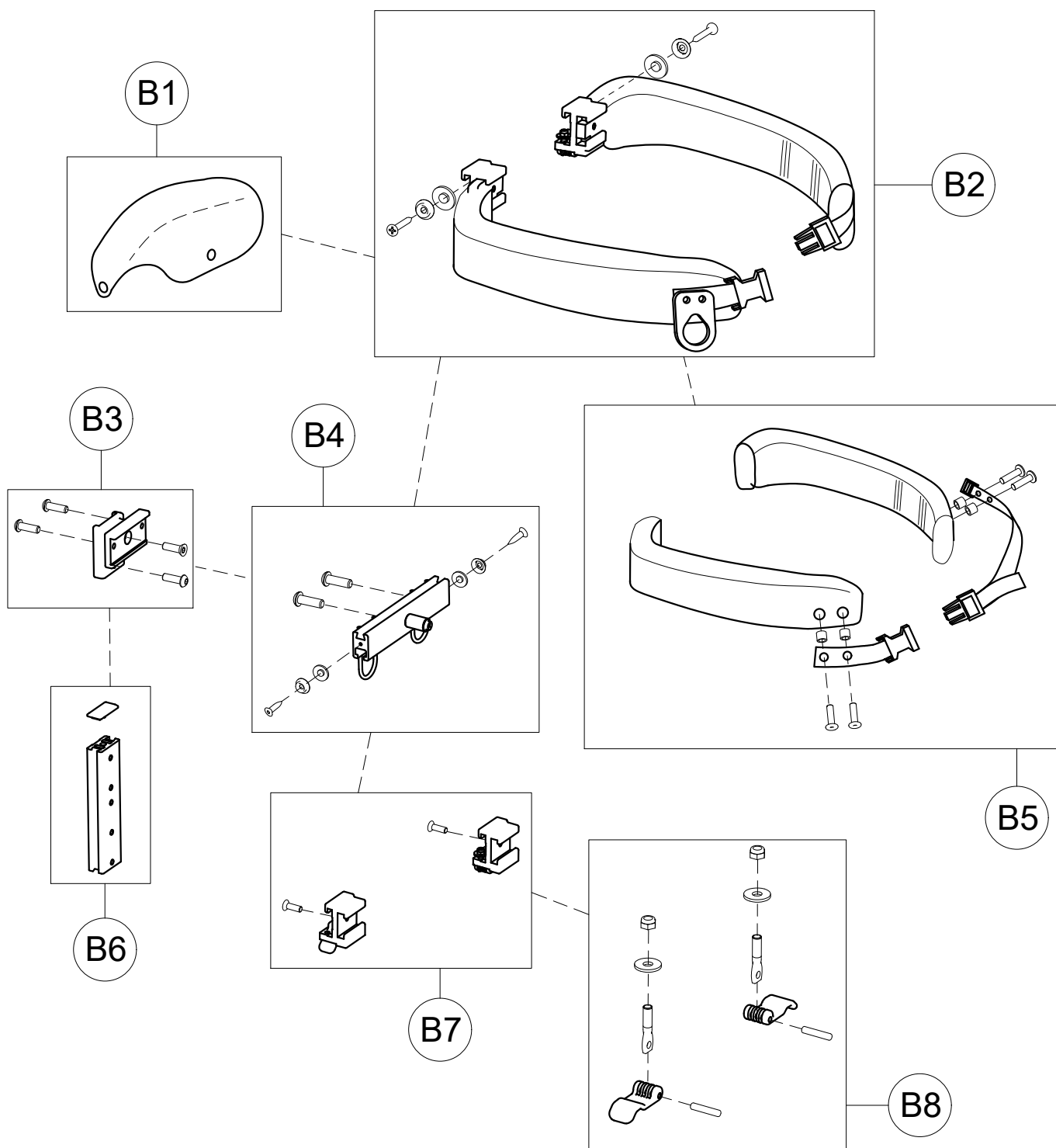
Spare Parts TRUNK SUPPORT size Medium

pag. 6

**ORMESA**

**GRILLO**

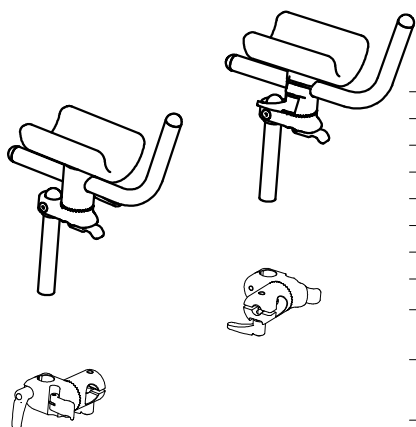
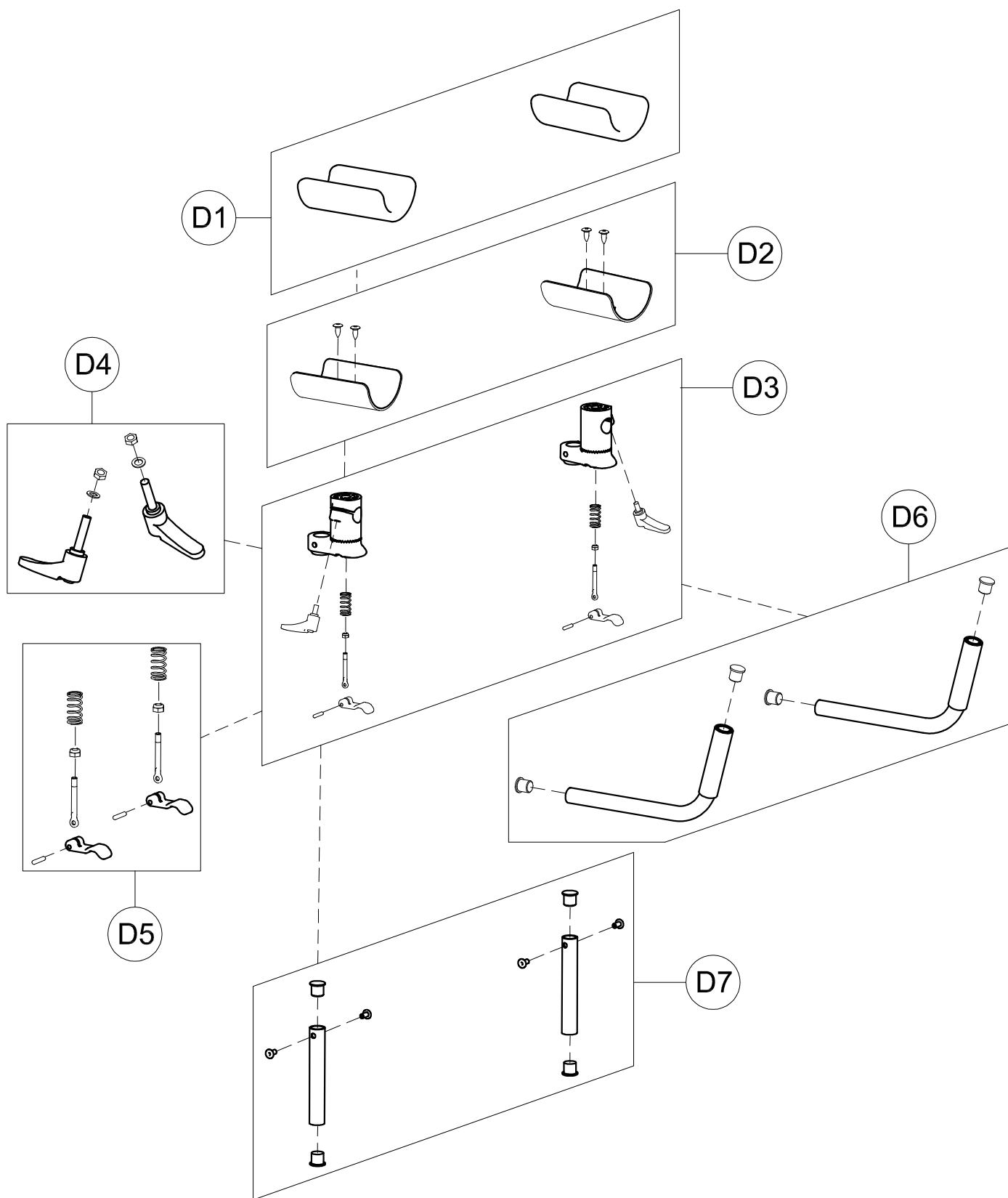
THIS DRAWING BELONGS TO ORMESA: IT IS FORBIDDEN TO REPRODUCE, CHANGE OR INFORM ANY THIRD PARTY ABOUT ITS CONTENTS



B1	160571P	CENTRAL PADDING
B2	303191	PAIR OF PELVIC HALF SUPPORT
B3	303226	PELVIC SUPPORT +SCREWS
B4	303228	PROFILE TO ADJUST PELVIC SUPPORT IN WIDTH + HOOKS
B5	303230	PAIR OF PELVIC PADDING + STRAPS AND RIVETS
B6	301847	PELVIC SUPPORT HEIGHT ADJUSTMENT
B7	302298	PAIR OF PROFILE TO SLIDE TRUNK/PELVIC SUPPORT
B8	301842	SET OF LEVERS FOR TRUNK SUPPORT WIDTH

POS. PART NR. DESCRIPTION

### Spare Parts PELVIC SUPPORT size Medium



D1	171254	809 medium/large ARM SUPPORT UPHOLSTERY
D2	301850	PAIR OF CURVED PLATE 809 medium/large
D3	301851	PAIR OF LOWER/UPPER TOOTHED SUPPORTS 809
D4	303108	PAIR OF M6X25 LEVERS
D5	301852	SET OF TOOTHED SUPP.LEVERS 809
D6	301853	PAIR OF HANDLEBAR BARS 809
D7	301855	PAIR OF VERT.BARS 809
POS.	CODICE	DESCRIZIONE

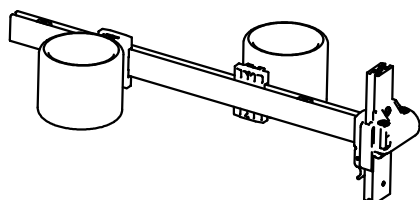
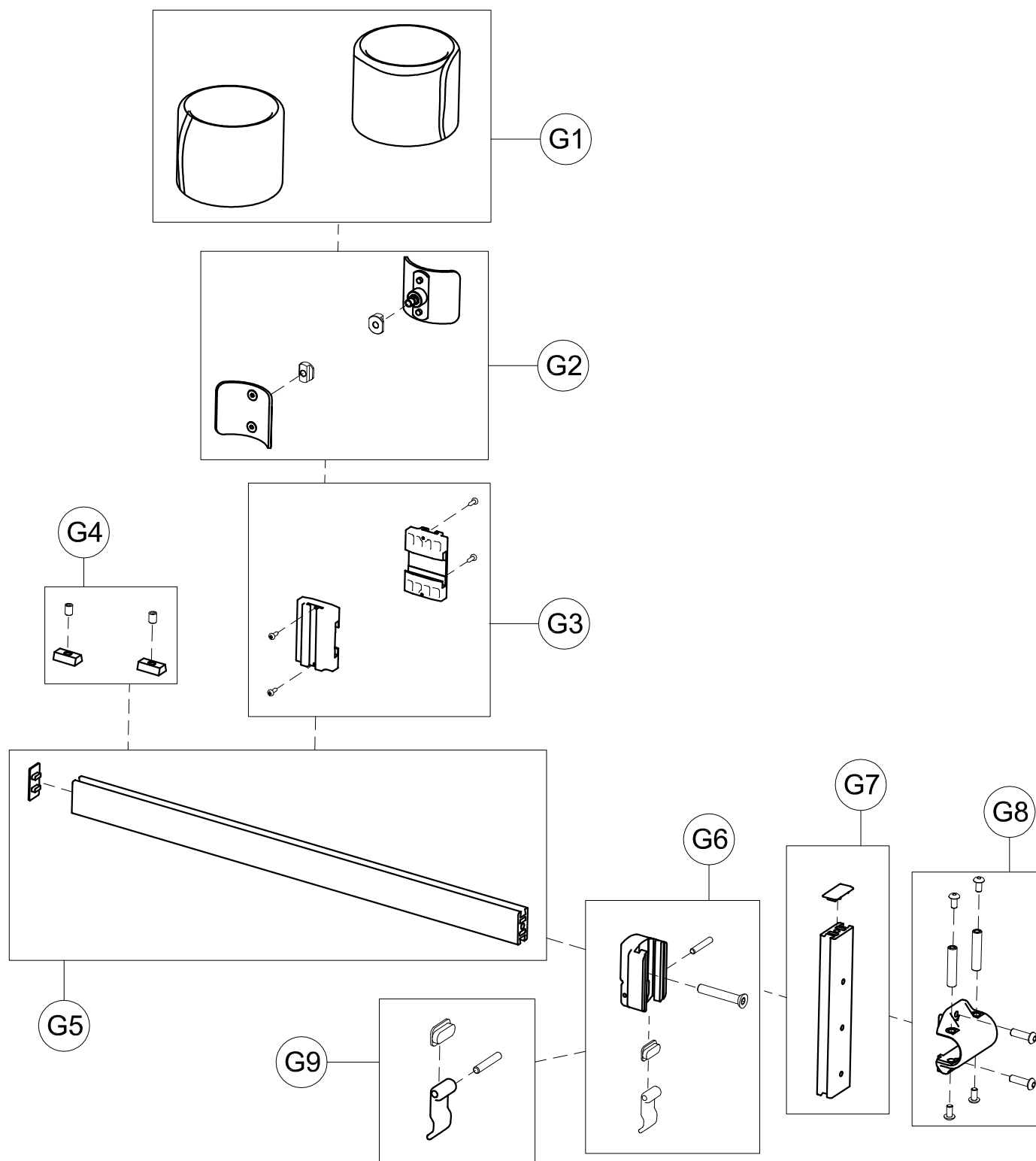
Spare Parts ARM SUPPORTS size Medium and Large

pag. 8

**ORMESA®**

**GRILLO**

QUESTO DISEGNO È DI PROPRIETÀ ORMESA; È VIETATO RIPRODURNE, MODIFICARNE O COMUNICARNE A TERZI IL CONTENUTO



G1	171255	890 Medium UPHOLSTERY
G2	301857	PAIR OF CURVED PLATE 890
G3	301858	PAIR OF ABDUCTORS SLIDING PROFILE
G4	301859	PAIR OF ABDUCTORS 890 STOP
G5	301861	HORIZ.BAR 890 Medium+CAP
G6	301862	890 FIXING BAR +LEVER/SCREWS
G7	303232	890 VERT.BAR+CAP
G8	303233	FIXING LOCK 890 + SCREWS
G9	301866	SET OF HEIGHT ADJUSTMENT LEVER 890 GRILLO
POS.	PART NR.	DESCRIPTION

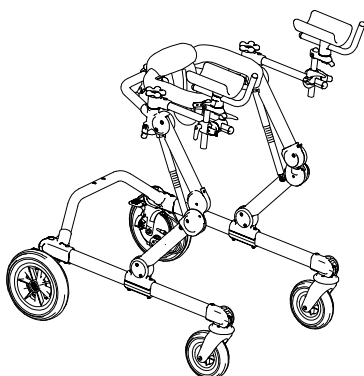
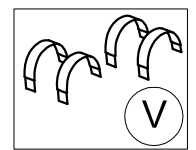
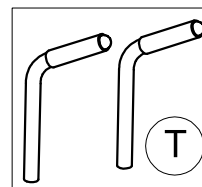
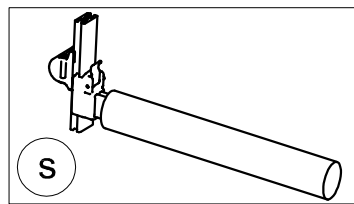
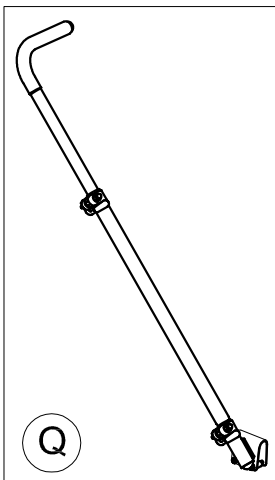
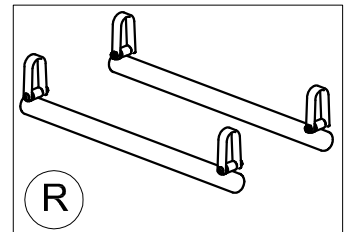
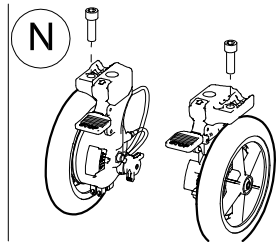
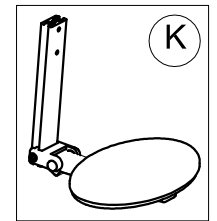
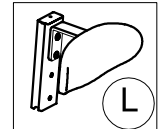
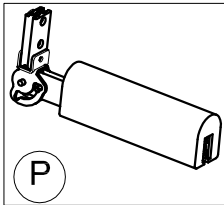
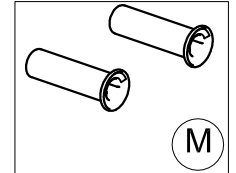
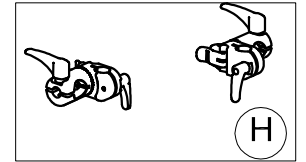
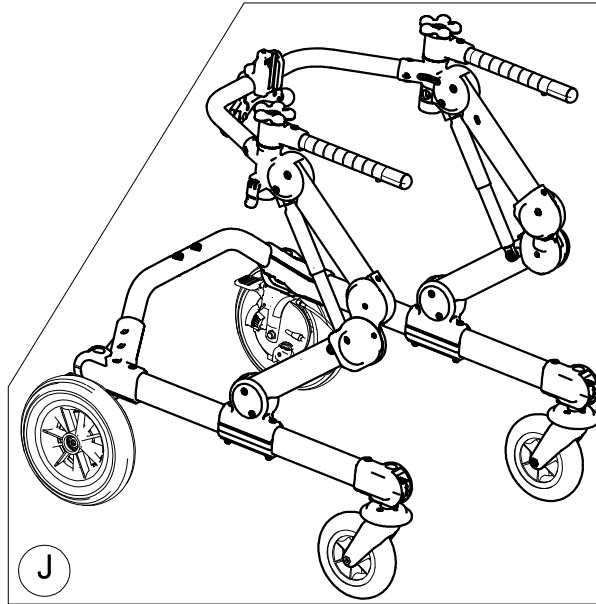
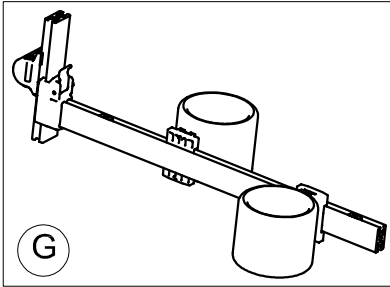
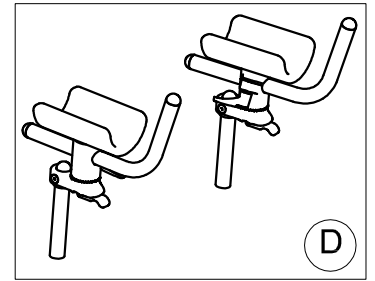
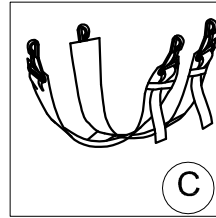
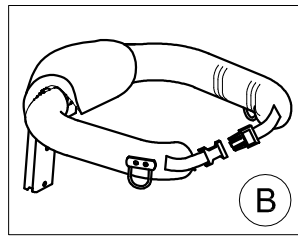
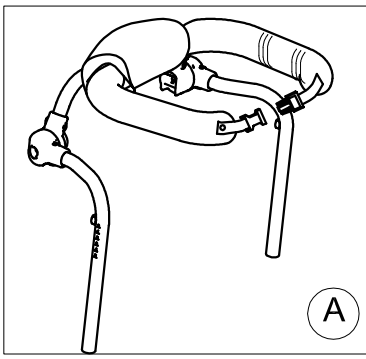
Spare Parts LEG DIVIDER+ABDUCTORS size Medium

pag. 9

**ORMESA®**

**GRILLO**

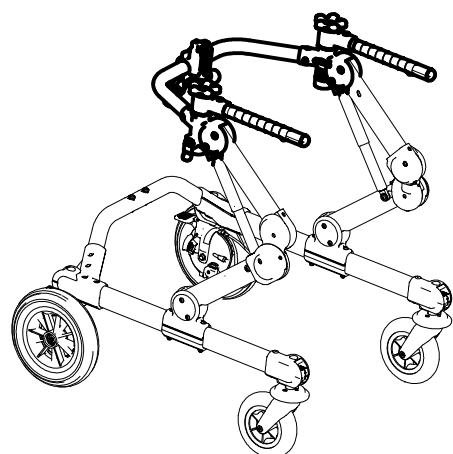
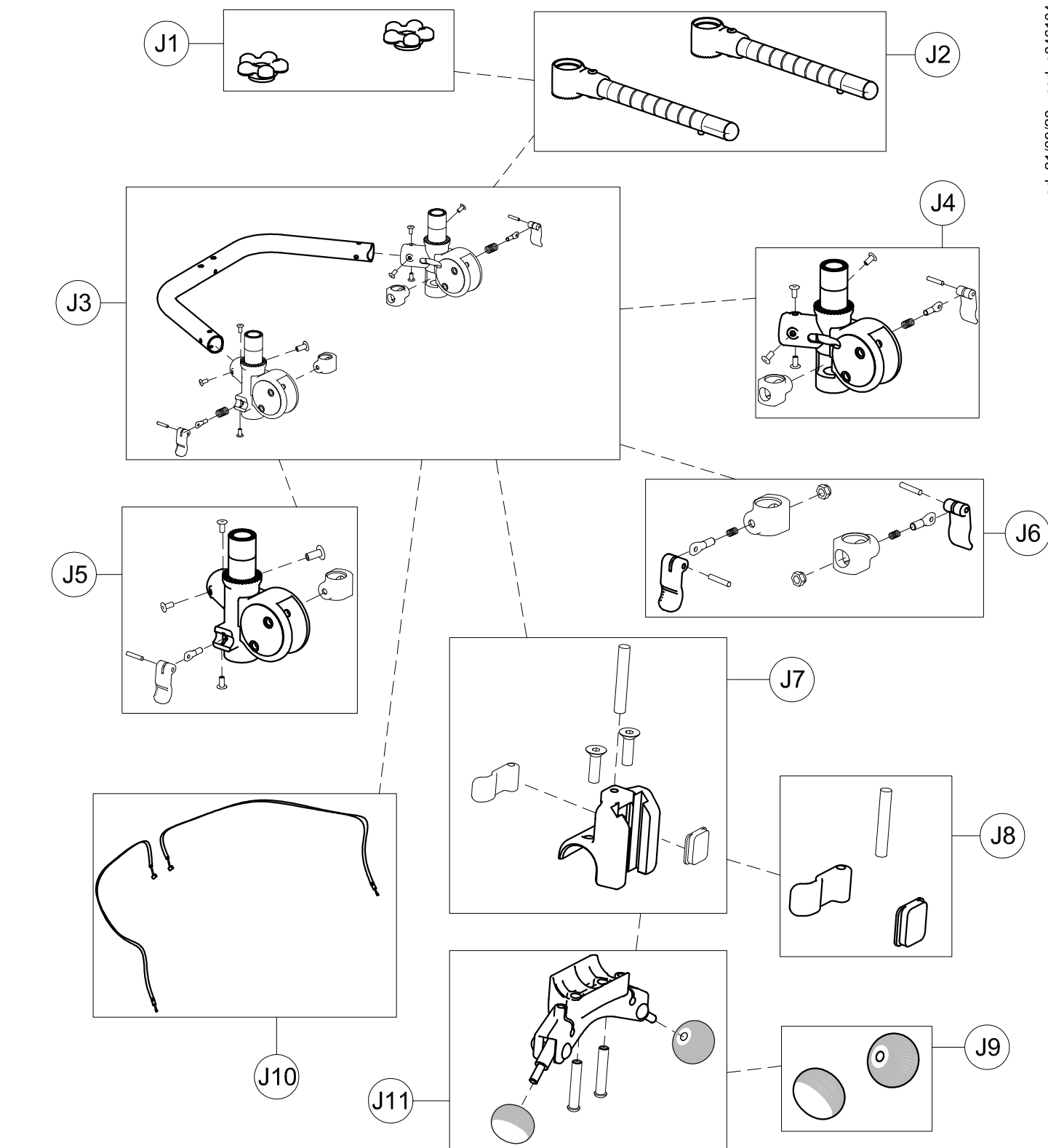
THIS DRAWING BELONGS TO ORMESA: IT IS FORBIDDEN TO REPRODUCE, CHANGE OR INFORM ANY THIRD PARTY ABOUT ITS CONTENTS



A	103640	925-Medium TRUNK SUPPORT
B	103636	924-Medium PELVIC SUPPORT
C	103632	930-Medium PELVIC HARNESS
D	103613	809 Medium ARM SUPPORT
G	102809	890-C Medium LEG DIVIDER+ABDUCTOR
H	302450	RIGHT-LEFT SUPPORTS FOR 809
J	303218	FRAME OF POSTERIOR GRILLO-M
K	102779	918 medium(3-4) FOLDING SEAT
L	102793	919 medium(3-4) LUMBAR SUPPORT
M	103588	927 REMOVABLE GRIP HANDLES
N	103656	928 Medium REAR WHEELS NARROW BASE
P	103603	815 Medium SADDLE
Q	103581	923 PUSH HANDLEBAR FOR CARE GIVERS
R	105605	810 Medium PAIR OF WEIGHT BARS
S	102812	890-SC Medium LEG DIVIDER
T	102970	939 ERGONOMIC HANDLES
V	103616	943-Medium ARM STRAPS

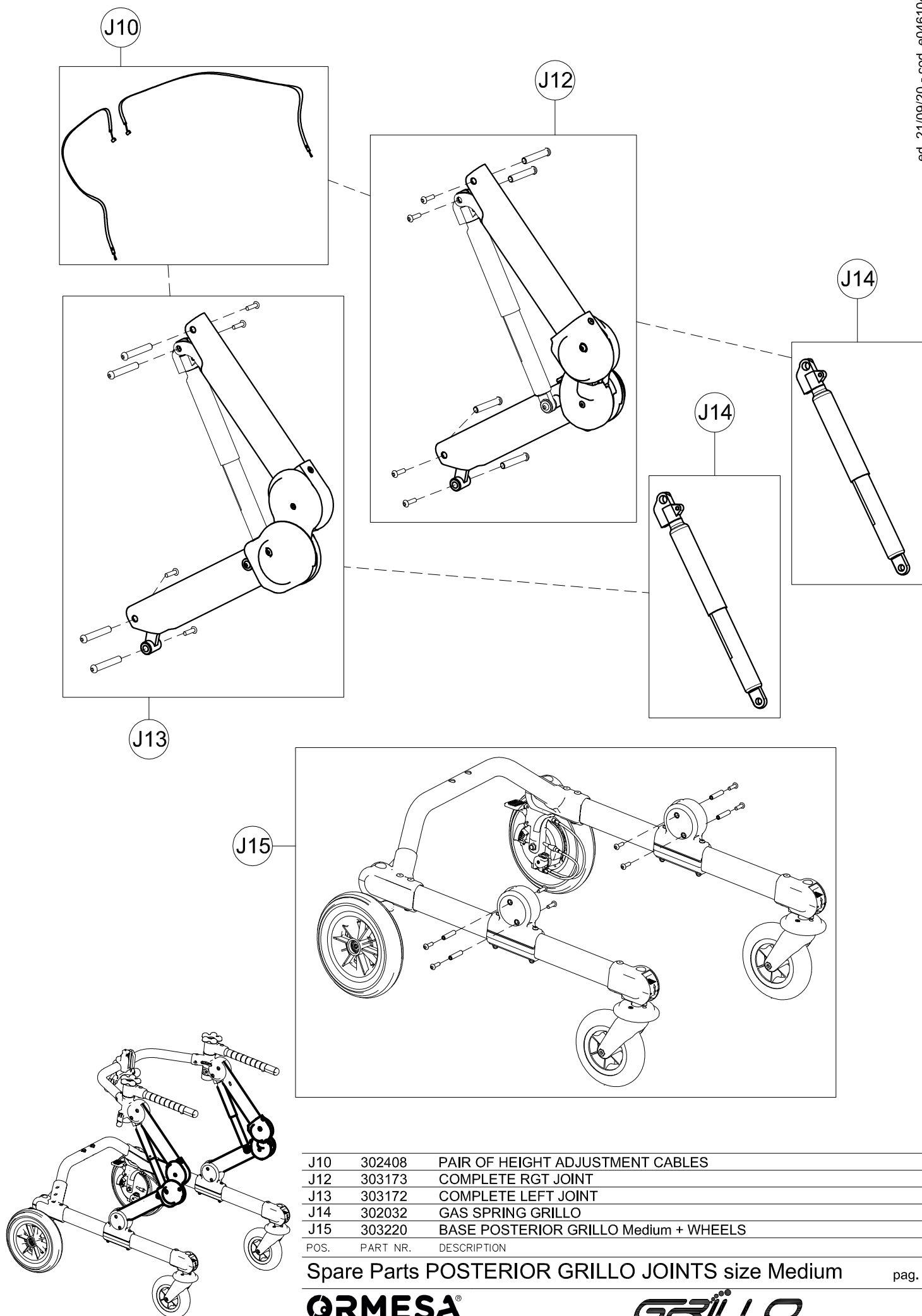
POS. PART NR. DESCRIPTION

### Spare Parts POSTERIOR GRILLO size Medium



J1	301797	PAIR OF KNOBS TO FIX HORIZONT.SUPPORT
J2	302284	PAIR OF HORIZONTAL BARS
J3	303205	UPPER CROSSPIECE SUPPORT+LOCKING LEVERS
J4	302286	RIGHT UPPER CROSSPIECE SUPPORT+LOCKING LEVER
J5	302287	LEFT UPPER CROSSPIECE SUPPORT+LOCKING LEVER
J6	302288	SET OF LEVERS TO LOCK TRUNK SUPPORT VERTICALLY
J7	302268	UPPER PELVIC BLOCK FIXING
J8	301806	SET OF LEVER TO LOCK PELVIC SUPPORT VERTICALLY
J9	301808	PAIR OF KNOBS FOR GAS SPRING
J10	302408	PAIR OF HEIGHT ADJUST.CABLES
J11	302823	OPERATING LEVER SUPPORT
POS.	PART NR.	DESCRIPTION

**Spare Parts** UPPER PART OF POSTERIOR GRILLO BASE size medium(3-4)



J10	302408	PAIR OF HEIGHT ADJUSTMENT CABLES
J12	303173	COMPLETE RGT JOINT
J13	303172	COMPLETE LEFT JOINT
J14	302032	GAS SPRING GRILLO
J15	303220	BASE POSTERIOR GRILLO Medium + WHEELS
POS.	PART NR.	DESCRIPTION

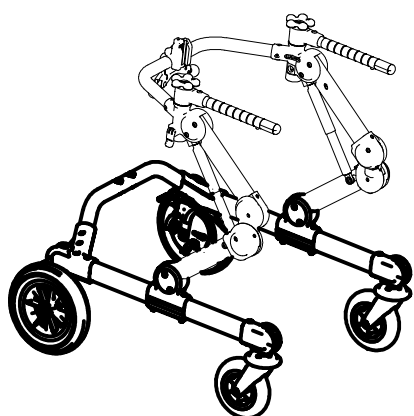
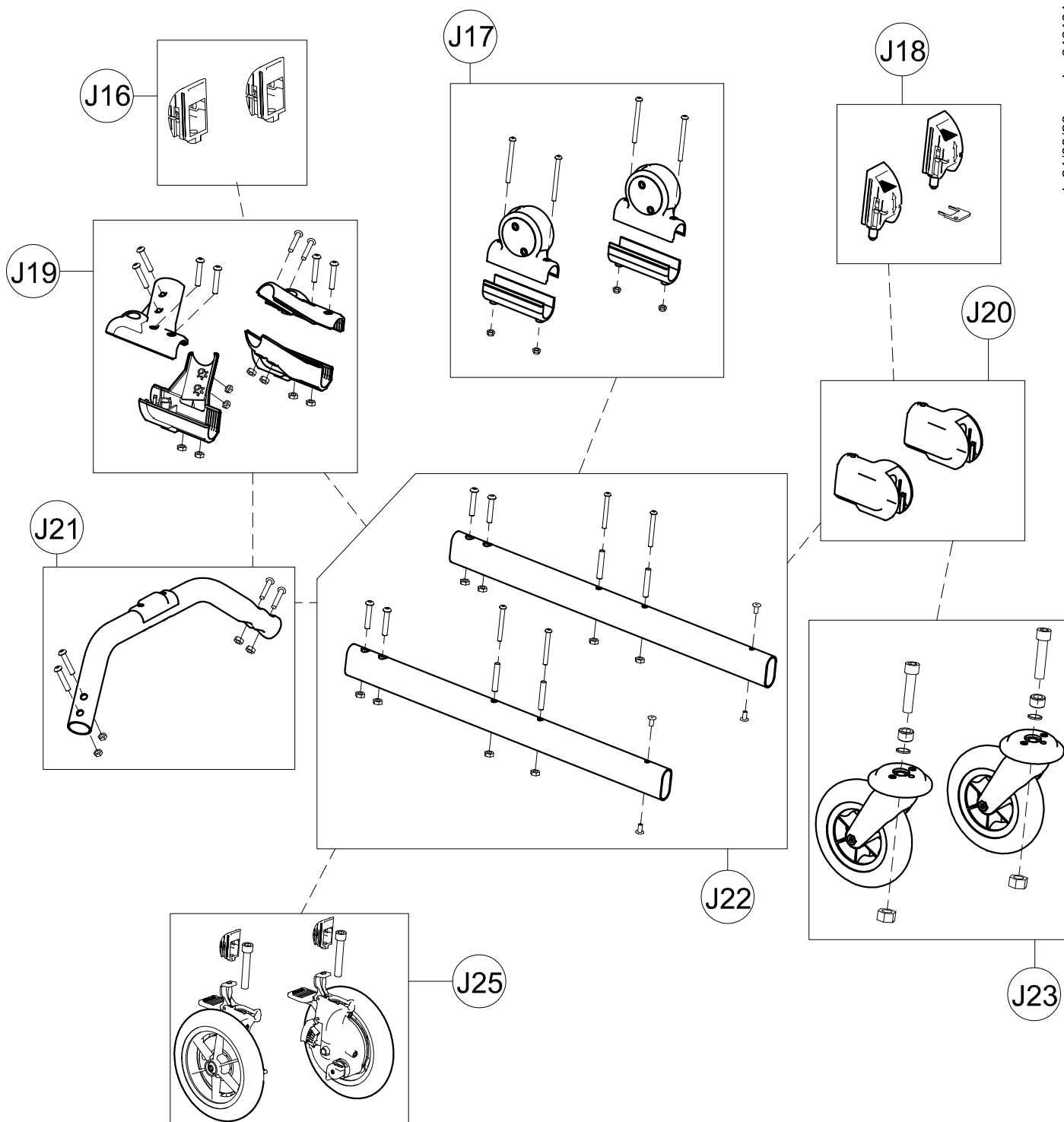
Spare Parts POSTERIOR GRILLO JOINTS size Medium

pag. 3

**ORMESA®**

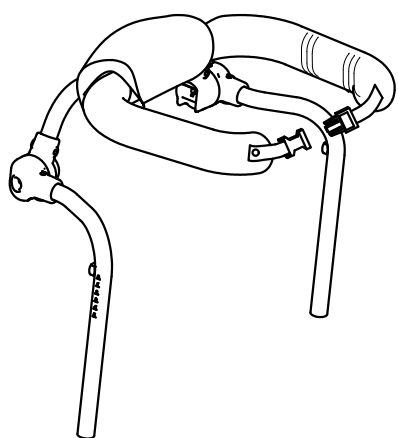
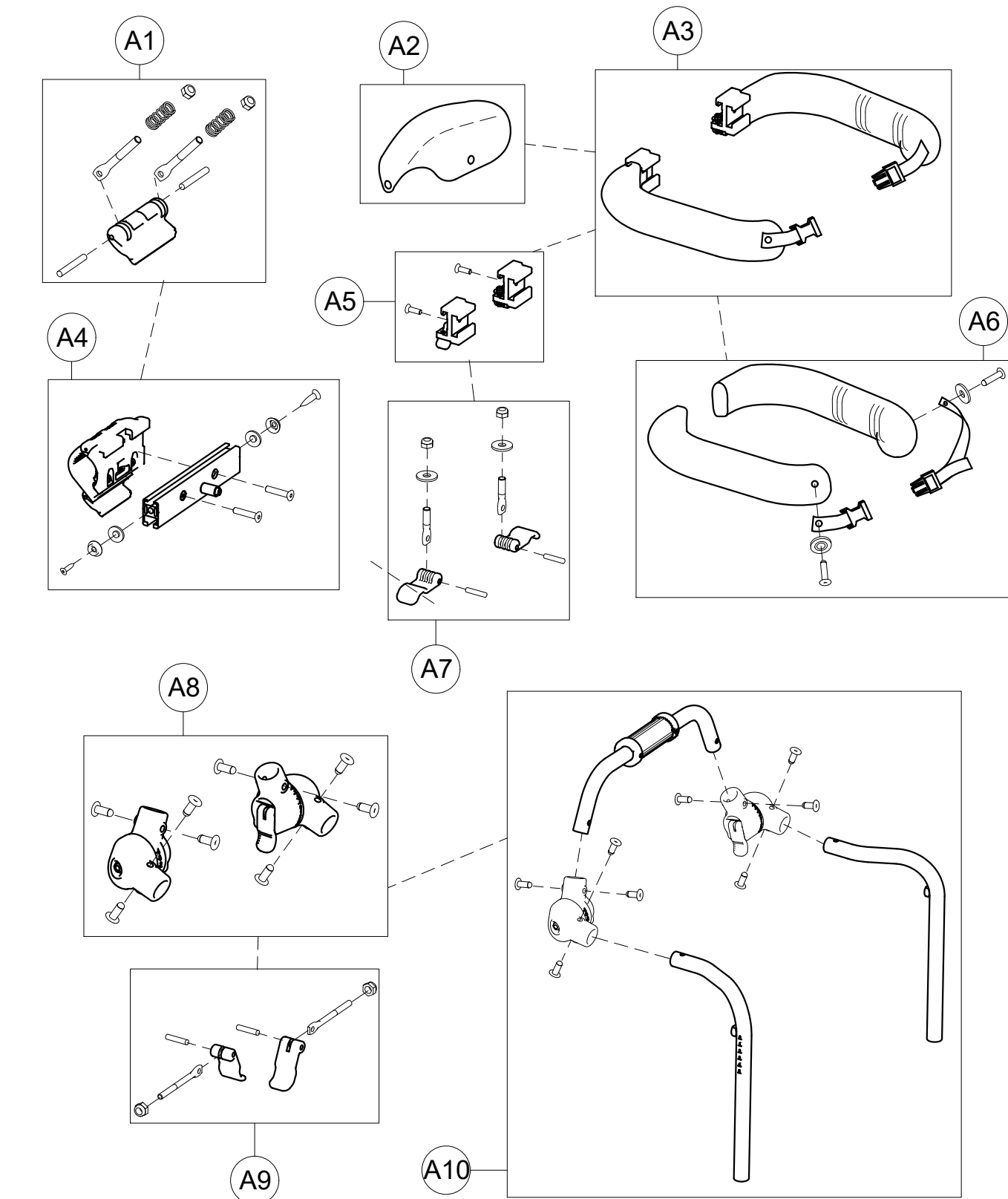
**GRILLO**

THIS DRAWING BELONGS TO ORMESA: IT IS FORBIDDEN TO REPRODUCE, CHANGE OR INFORM ANY THIRD PARTY ABOUT ITS CONTENTS



J16	303508	PAIR OF DIRECT.CAPS FOR WHEELS
J17	301812	PAIR OF UPPER/LOWER SUPPORTS OF SIDE
J18	302546	PAIR OF DIRECTION LOCKS
J19	303211	KIT OF LOWER CROSSPIECE SUPPORT
J20	303208	PAIR OF WHEEL SUPPORTS
J21	303214	LOWER CROSSPIECE+SCREWS
J22	303210	PAIR OF BASE SIDES
J23	303387	PAIR OF COMPLETE FRONT WHEELS
J25	303476	PAIR OF COMPLETE REAR WHEELS
POS.	PART NR.	DESCRIPTION

Spare Parts LOWER PART OF POSTERIOR  
GRILLO BASE size Medium



A1	301832	SET OF CLAMPING LEVER TO ROTATE TRUNK SUPPORT
A2	160571P	CENTRAL PADDING
A3	303192	PAIR OF TRUNK HALF SUPPORT
A4	302222	EXTERNAL ROTATION SUPPORT + WIDTH ADJUSTMENT
A5	302298	PAIR OF PROFILE TO SLIDE TRUNK/PELVIC SUPPORT
A6	303222	PAIR OF TRUNK PADDING + STRAPS AND RIVETS
A7	301842	SET OF LEVERS FOR TRUNK SUPPORT WIDTH
A8	303223	PAIR OF TRUNK SUPPORT JOINTS
A9	301843	SET OF TRUNK SUPPORT JOINT LEVERS
A10	303411	FRAME+JOINTS TRUNK SUPPORT

POS. PART NR. DESCRIPTION

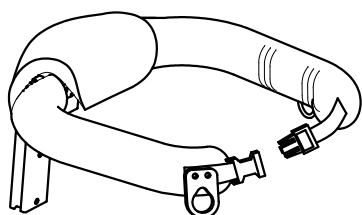
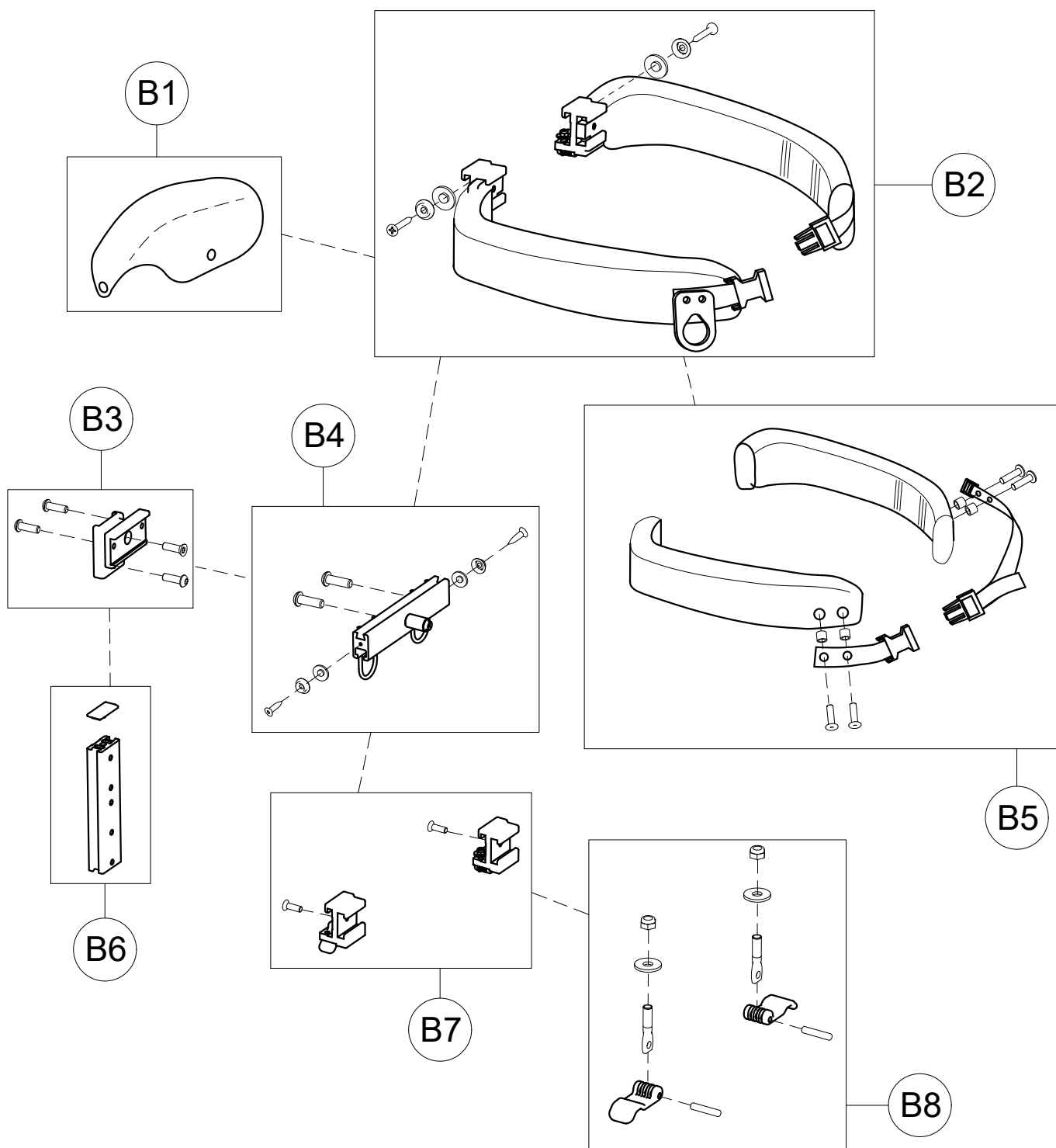
Spare Parts TRUNK SUPPORT size Medium

pag. 5

**ORMESA**

**GRILLO**

THIS DRAWING BELONGS TO ORMESA: IT IS FORBIDDEN TO REPRODUCE, CHANGE OR INFORM ANY THIRD PARTY ABOUT ITS CONTENTS



B1	160571P	CENTRAL PADDING
B2	303191	PAIR OF PELVIC HALF SUPPORT
B3	303226	PELVIC SUPPORT +SCREWS
B4	303228	PROFILE TO ADJUST PELVIC SUPPORT IN WIDTH + HOOKS
B5	303230	PAIR OF PELVIC PADDING + STRAPS AND RIVETS
B6	301847	PELVIC SUPPORT HEIGHT ADJUSTMENT
B7	302298	PAIR OF PROFILE TO SLIDE TRUNK/PELVIC SUPPORT
B8	301842	SET OF LEVERS FOR TRUNK SUPPORT WIDTH

POS. PART NR. DESCRIPTION

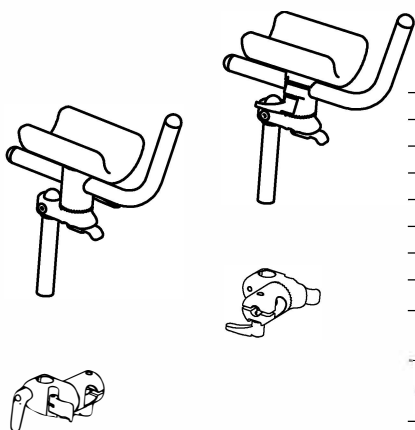
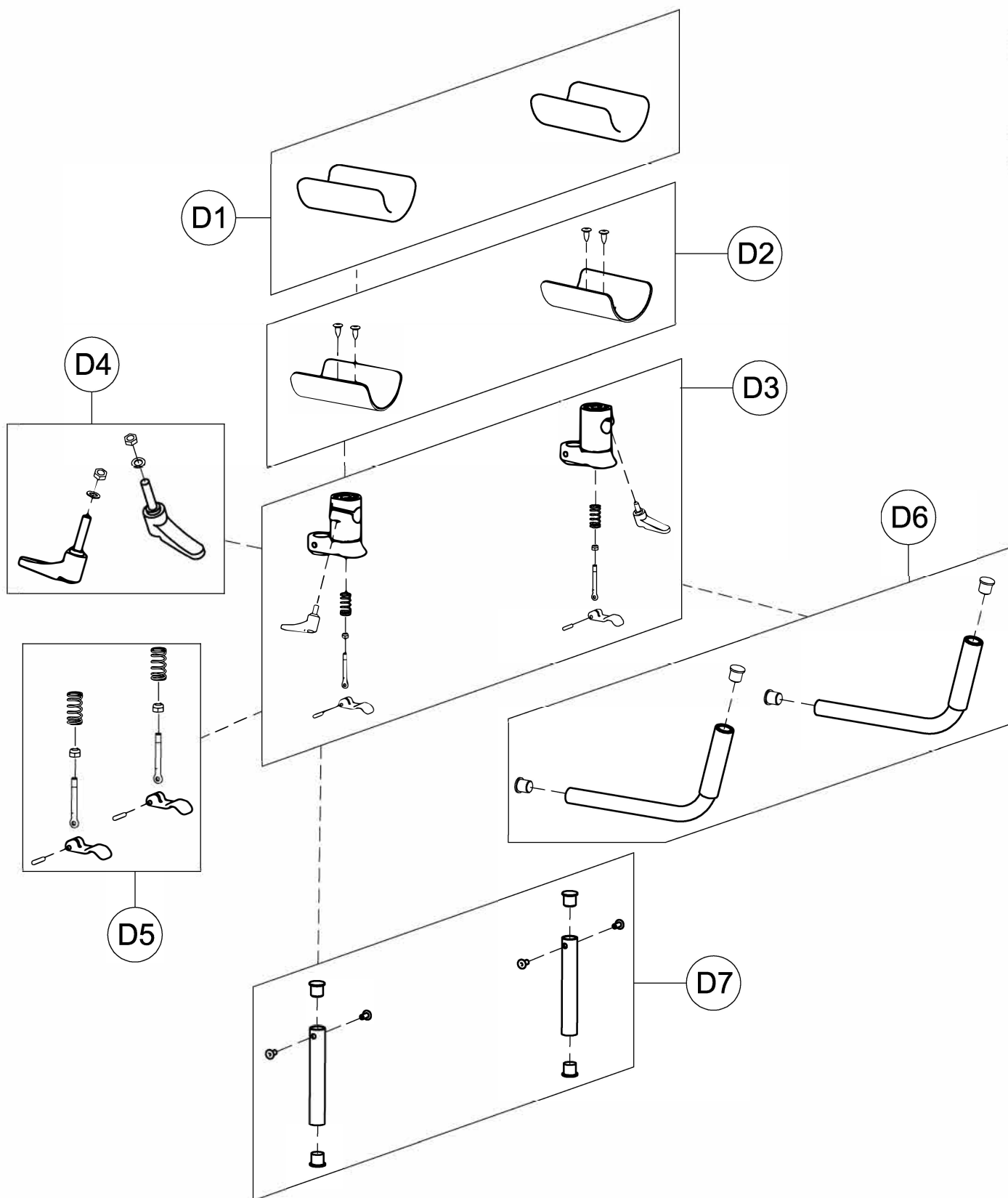
### Spare Parts PELVIC SUPPORT size Medium

pag. 6

**ORMESA**

**GRILLO**

THIS DRAWING BELONGS TO ORMESA: IT IS FORBIDDEN TO REPRODUCE, CHANGE OR INFORM ANY THIRD PARTY ABOUT ITS CONTENTS



D1	171254	809 medium/large ARM SUPPORT UPHOLSTERY
D2	301850	PAIR OF CURVED PLATE 809 medium/large
D3	301851	PAIR OF LOWER/UPPER TOOTHED SUPPORTS 809
D4	303108	PAIR OF M6X25 LEVERS
D5	301852	SET OF TOOTHED SUPP.LEVERS 809
D6	301853	PAIR OF HANDLEBAR BARS 809
D7	301855	PAIR OF VERT.BARS 809
POS.	CODICE	DESCRIZIONE

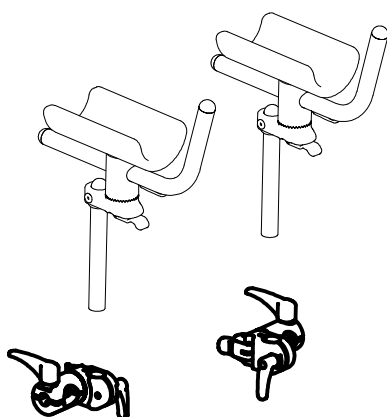
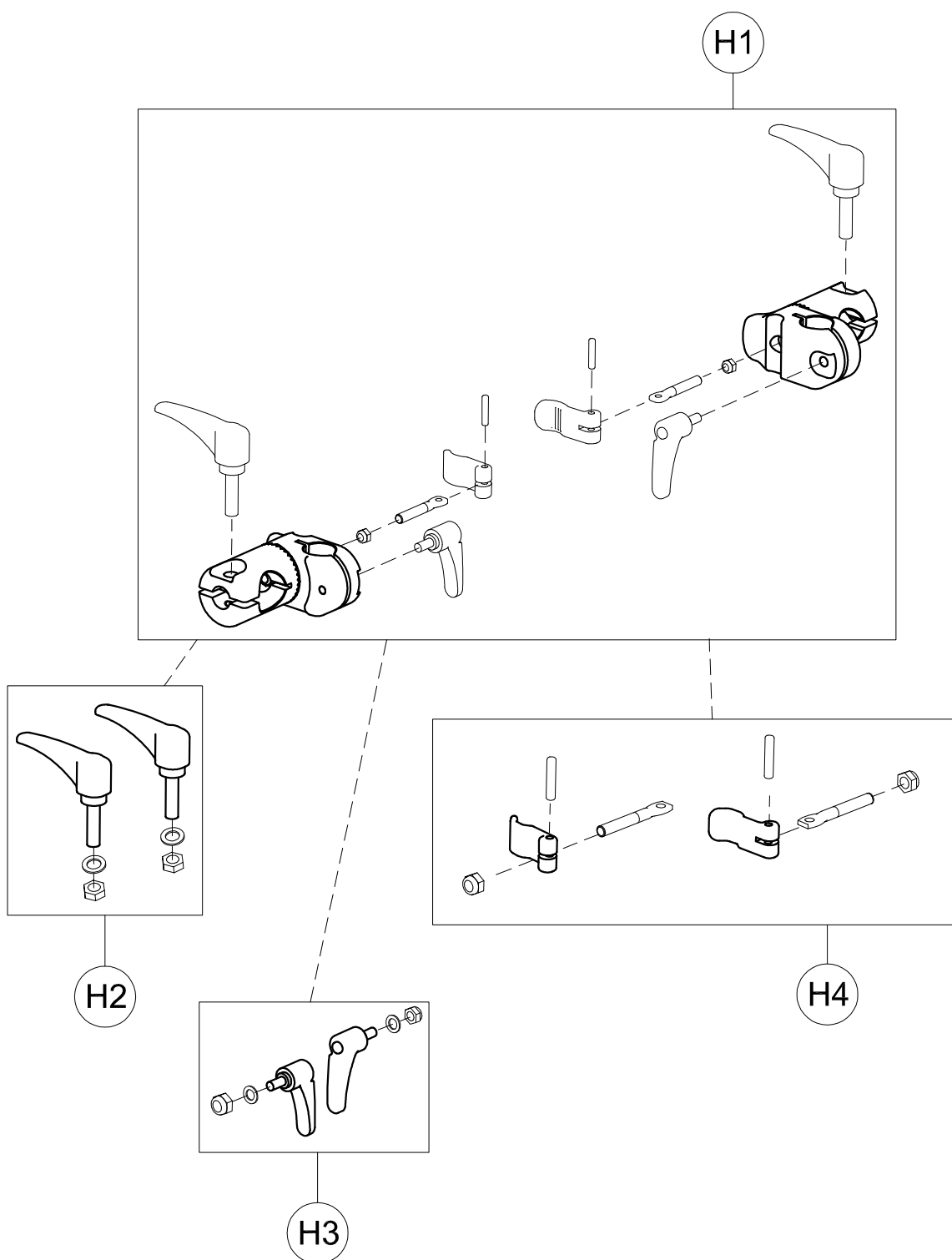
Spare Parts ARM SUPPORTS size Medium and Large

pag.7

**ORMESA®**

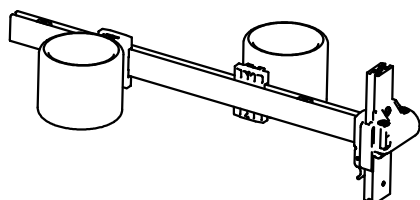
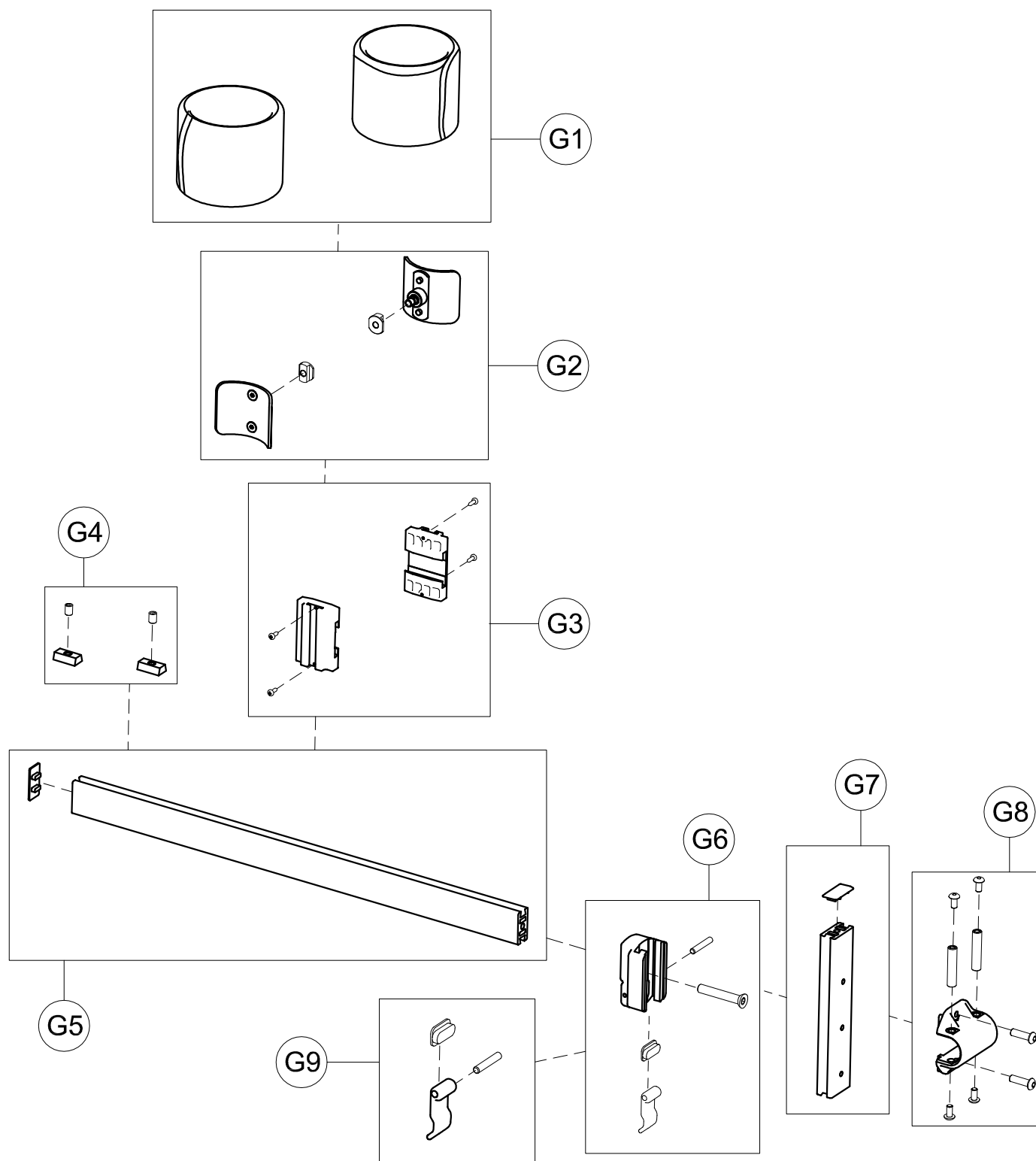
**GRILLO**

QUESTO DISEGNO È DI PROPRIETÀ ORMESA: È VIETATO RIPRODURNE, MODIFICARNE O COMUNICARNE A TERZI IL CONTENUTO



H1	302450	RGT-LEFT SUPPORTS OF 809 GRILLO
H2	301799	PAIR OF M8X35 HANDLES
H3	301800	PAIR OF M6X30 HANDLES
H4	301801	SET OF LEVERS TO LOCK THE HANDLEBAR VERTICALLY
POS.	PART NR.	DESCRIPTION

Spare Parts **ARM SUPPORT JOINT FOR POSTERIOR GRILLO**  
size Small, Medium and Large



G1	171255	890 Medium UPHOLSTERY
G2	301857	PAIR OF CURVED PLATE 890
G3	301858	PAIR OF ABDUCTORS SLIDING PROFILE
G4	301859	PAIR OF ABDUCTORS 890 STOP
G5	301861	HORIZ.BAR 890 Medium+CAP
G6	301862	890 FIXING BAR +LEVER/SCREWS
G7	303232	890 VERT.BAR+CAP
G8	303233	FIXING LOCK 890 + SCREWS
G9	301866	SET OF HEIGHT ADJUSTMENT LEVER 890 GRILLO
POS.	PART NR.	DESCRIPTION

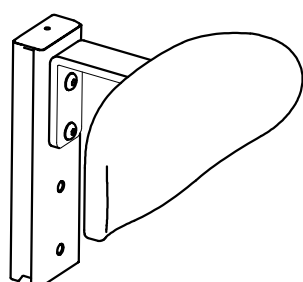
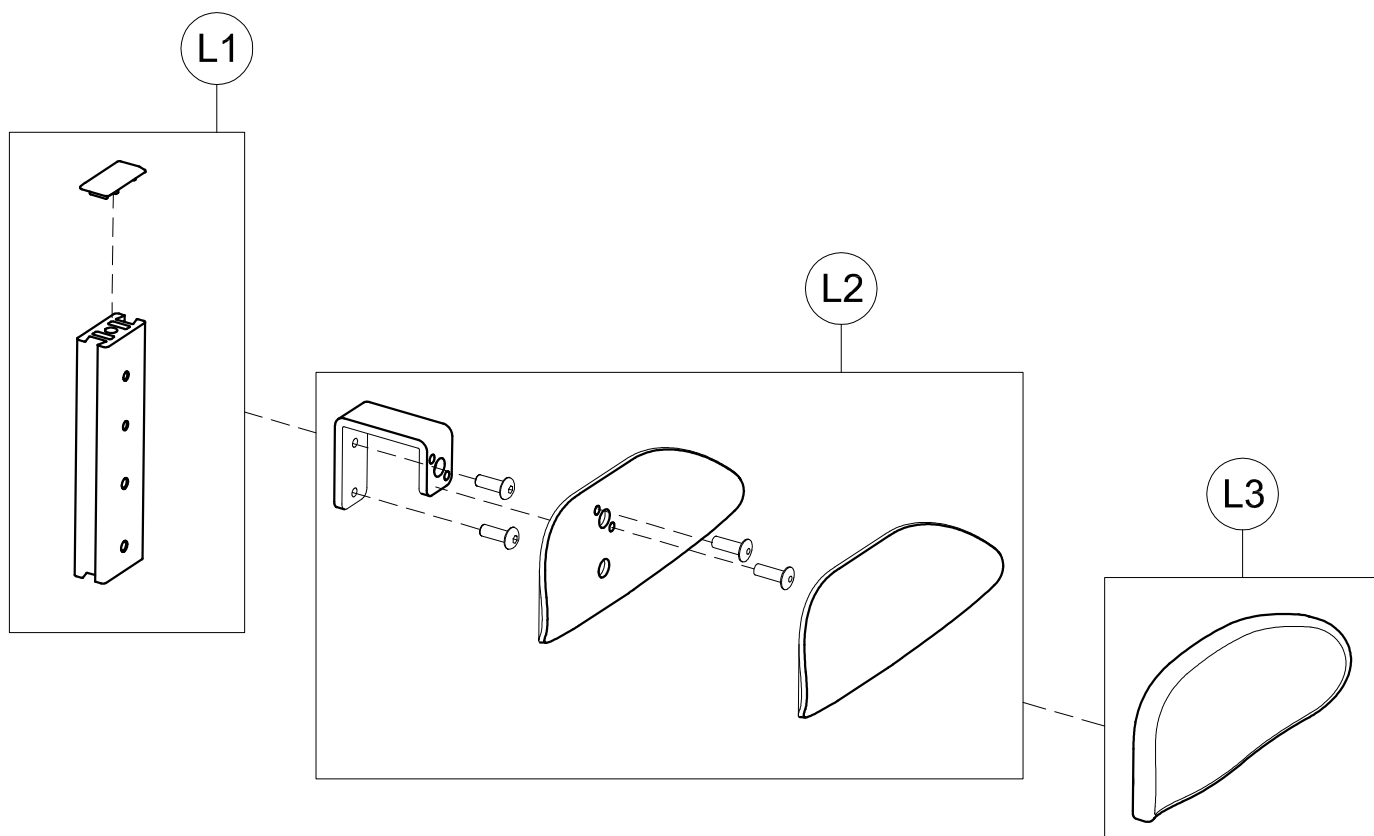
Spare Parts LEG DIVIDER+ABDUCTORS size Medium

pag. 9

**ORMESA®**

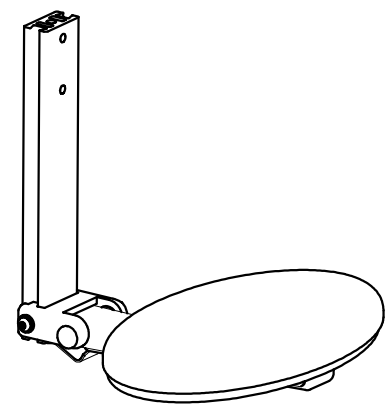
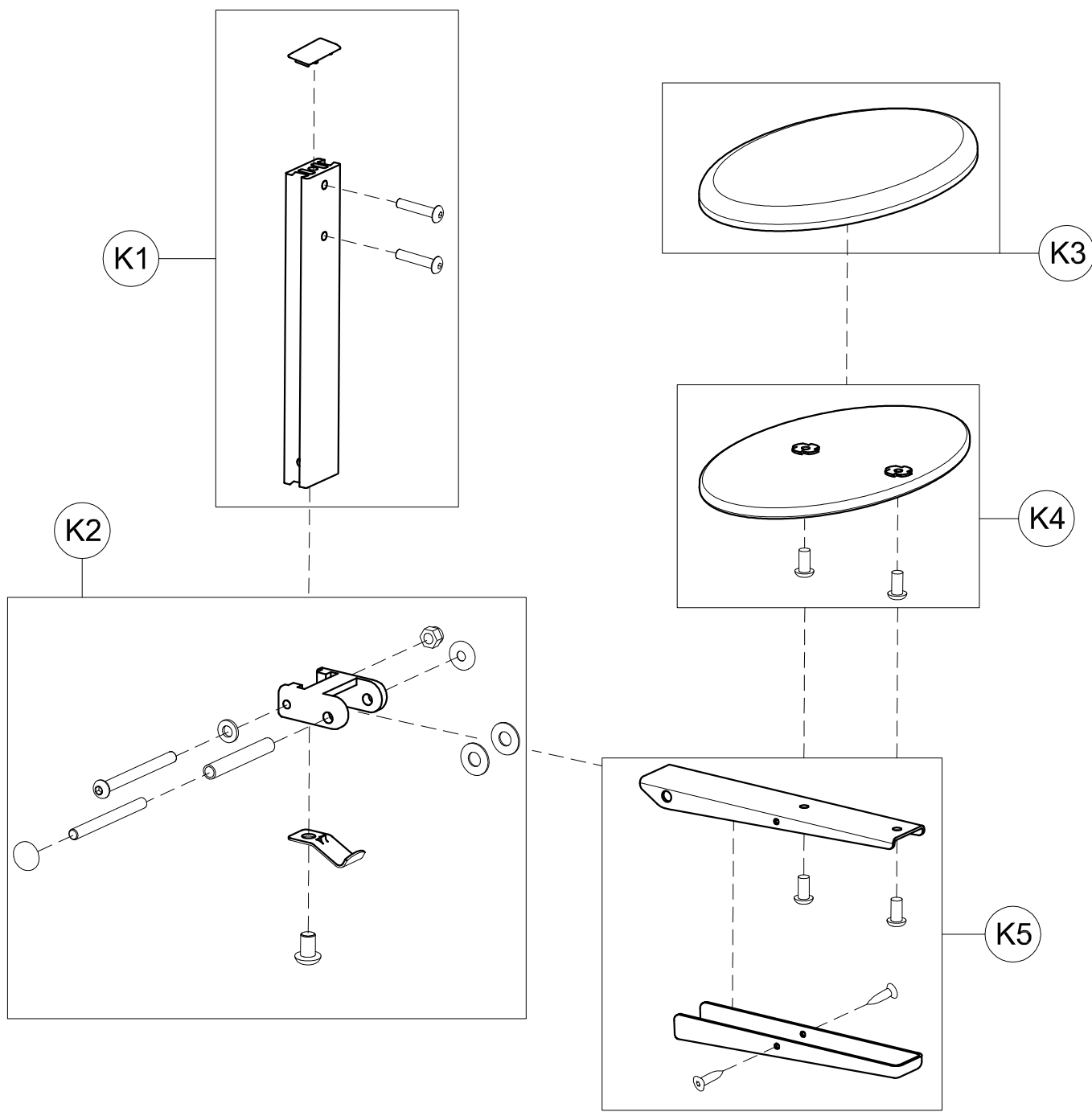
**GRILLO**

THIS DRAWING BELONGS TO ORMESA; IT IS FORBIDDEN TO REPRODUCE, CHANGE OR INFORM ANY THIRD PARTY ABOUT ITS CONTENTS



POS.	PART NR.	DESCRIPTION
L1	301869	LUMBAR SUPPORT VERTICAL BAR+CAP
L2	301870	PLATE+LUMBAR SUPPORT CONNECTION
L3	171187	BACK SUPPORT UPHOLSTERY

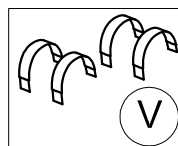
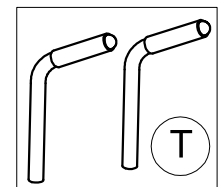
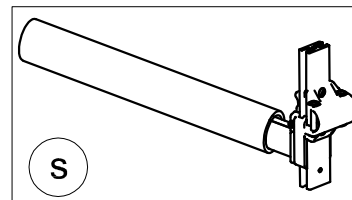
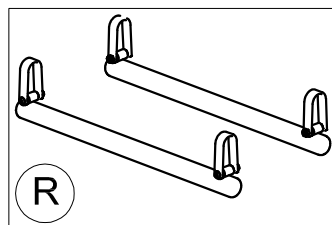
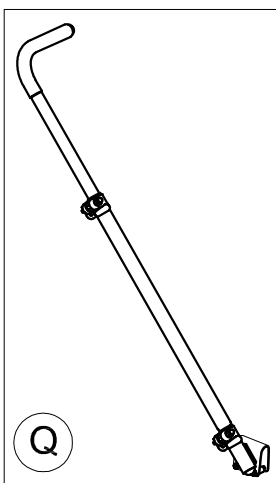
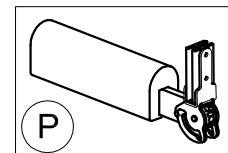
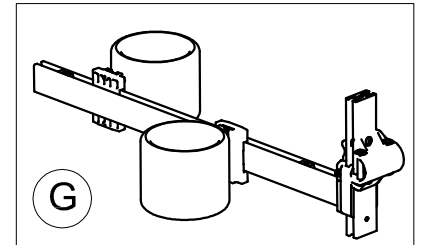
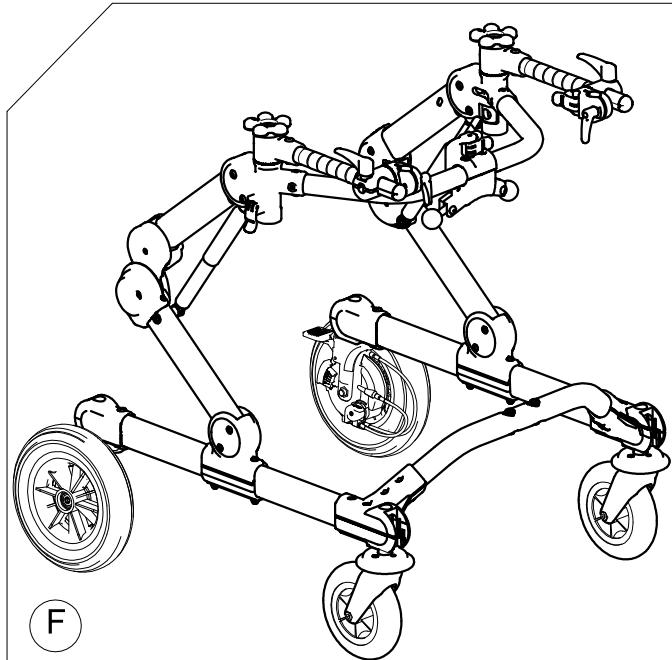
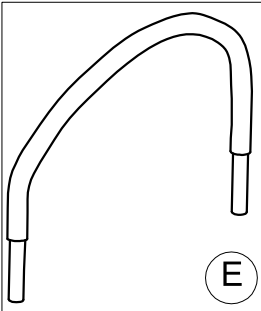
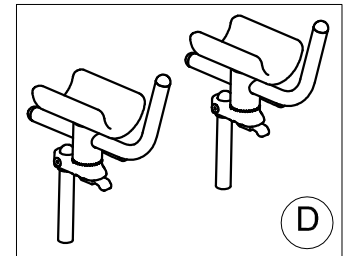
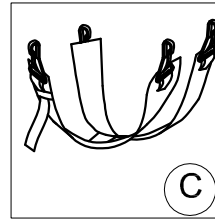
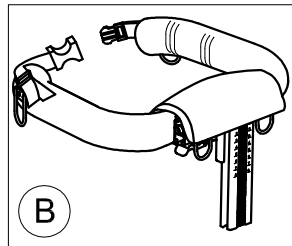
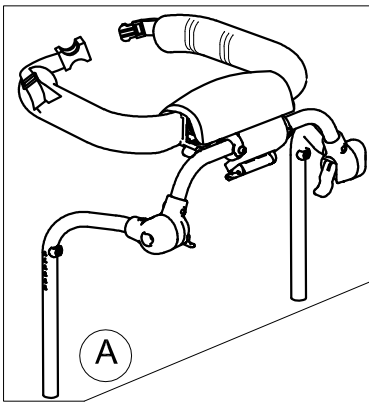
Spare Parts LUMBAR SUPPORT size Medium



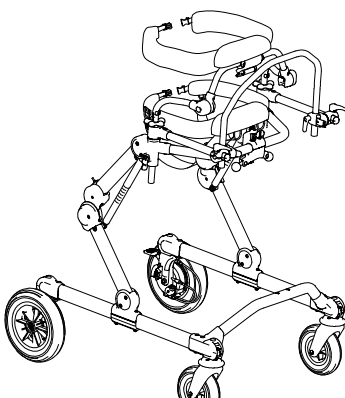
K1	301872	SEAT VERTICAL BAR+CAP
K2	301873	SEAT FORK+SPRING
K3	171279	SEAT COVER FOR 918 Medium
K4	301875	WOOD SEAT WITH SCREWS+SPIDERS
K5	301876	SEAT SUPPORT + COVER

POS.	PART NR.	DESCRIPTION
------	----------	-------------

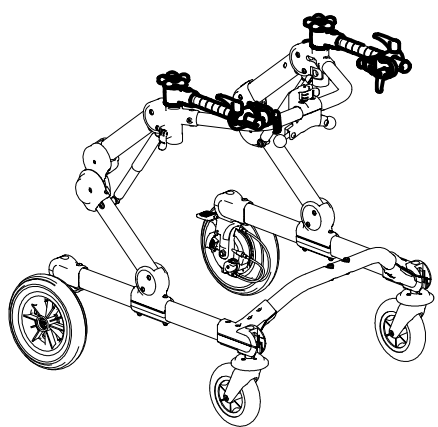
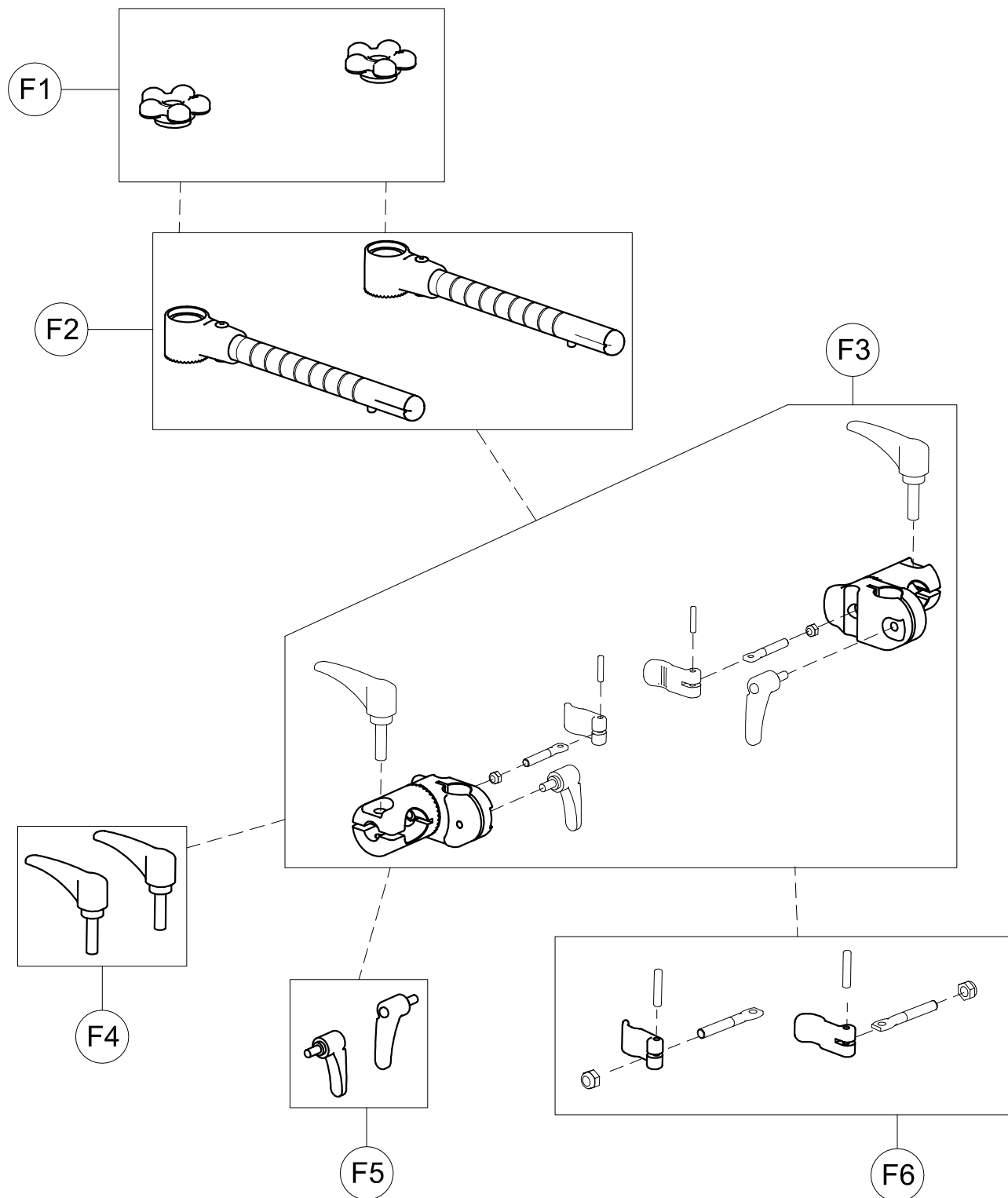
Spare Parts FOLDING SEAT size Medium



A	103639	925-Small TRUNK SUPPORT
B	103635	924-Small PELVIC SUPPORT
C	103631	930-Small PELVIC HARNESS
D	103573	809 small ARM SUPPORT
E	103586	926-Small HANDLEBAR FRONT DRIVE
F	303202	FRAME FOR FRONT DRIVE GRILLO Small
G	102808	890-C Small LEG DIVIDER+ABDUCTOR
P	103601	815 small SADDLE
Q	103581	923 PUSH HANDLEBAR FOR CARE GIVERS
R	105604	810 Small PAIR OF WEIGHT BARS GRILLO
S	102811	890-SC Small LEG DIVIDER
T	102970	939 ERGONOMIC HANDLES
V	103615	943-Small ARM STRAPS
POS.	PART NR.	DESCRIPTION



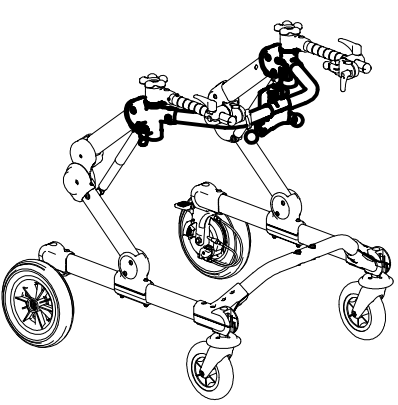
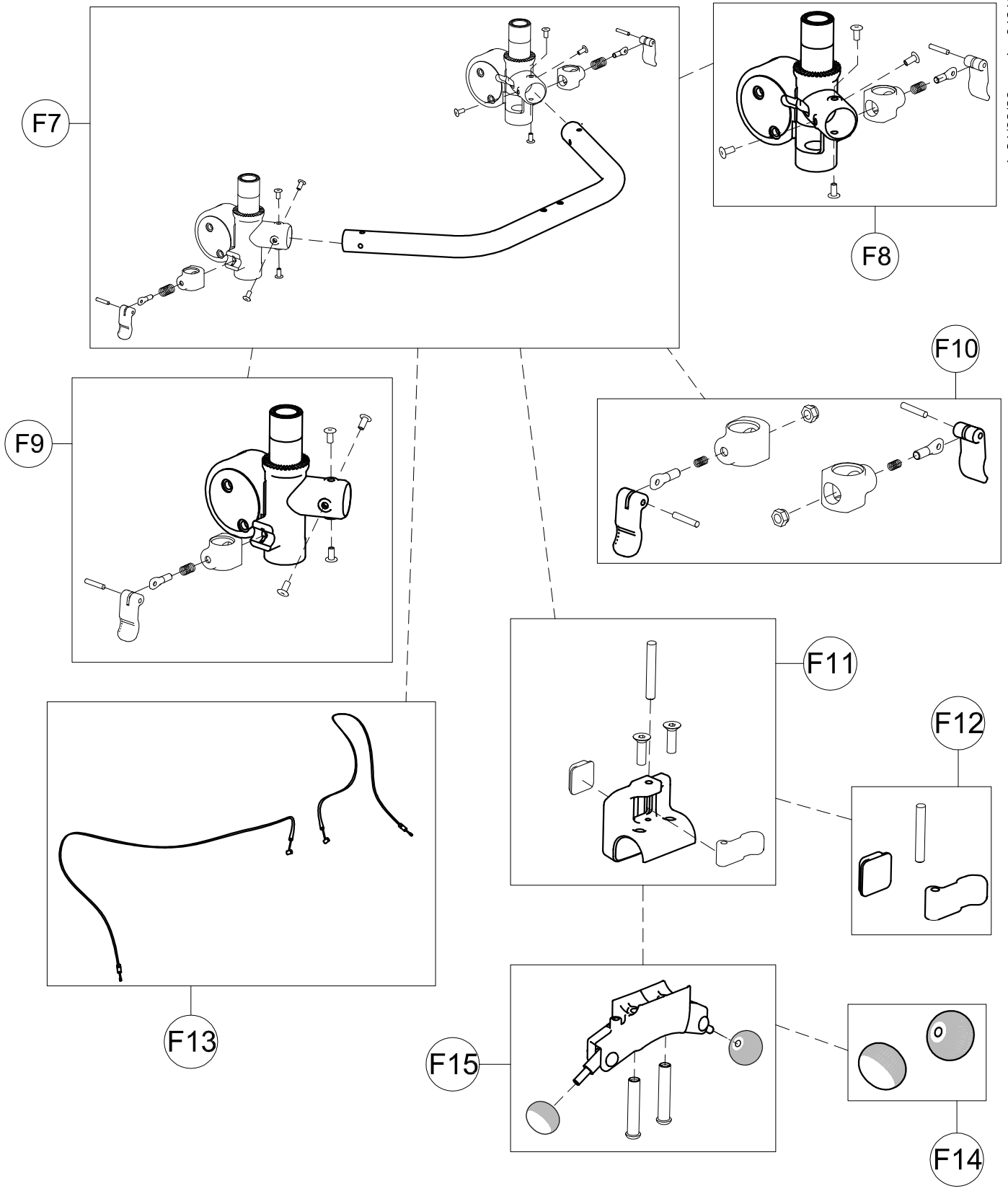
### Spare Parts FRONT DRIVE GRILLO size Small



F1	301797	PAIR OF KNOBS TO FIX HORIZONT.SUPPORT.
F2	302404	PAIR OF HORIZONTAL BARS GRILLO small(1-2)
F3	302450	RGT-LEFT SUPPORTS OF 809 GRILLO
F4	301799	PAIR OF M8X35 HANDLES
F5	301800	PAIR OF M6X30 HANDLES
F6	301801	SET OF LEVERS TO LOCK THE HANDLEBAR VERTICALLY
POS.	PART NR.	DESCRIPTION

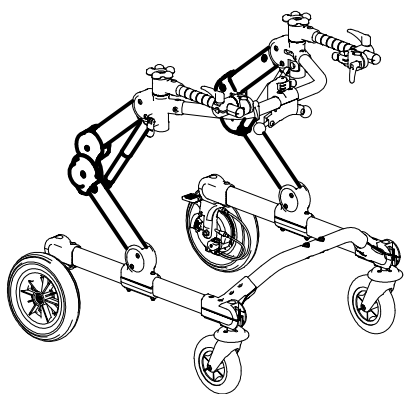
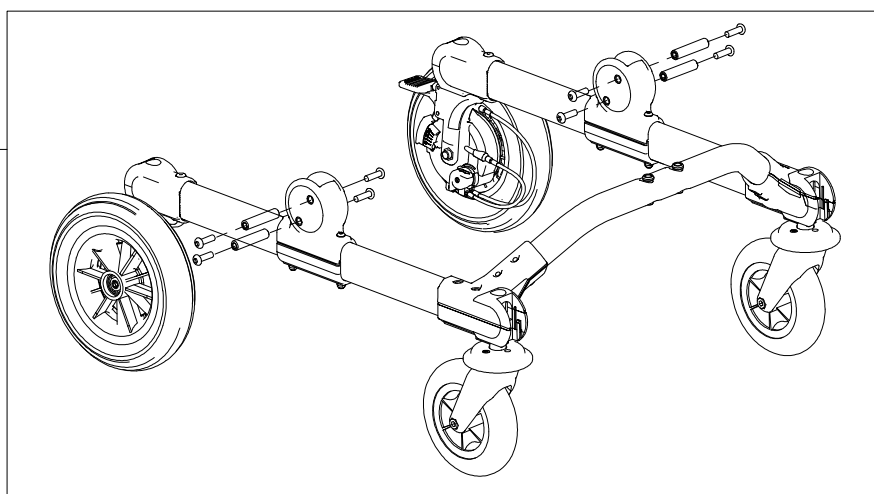
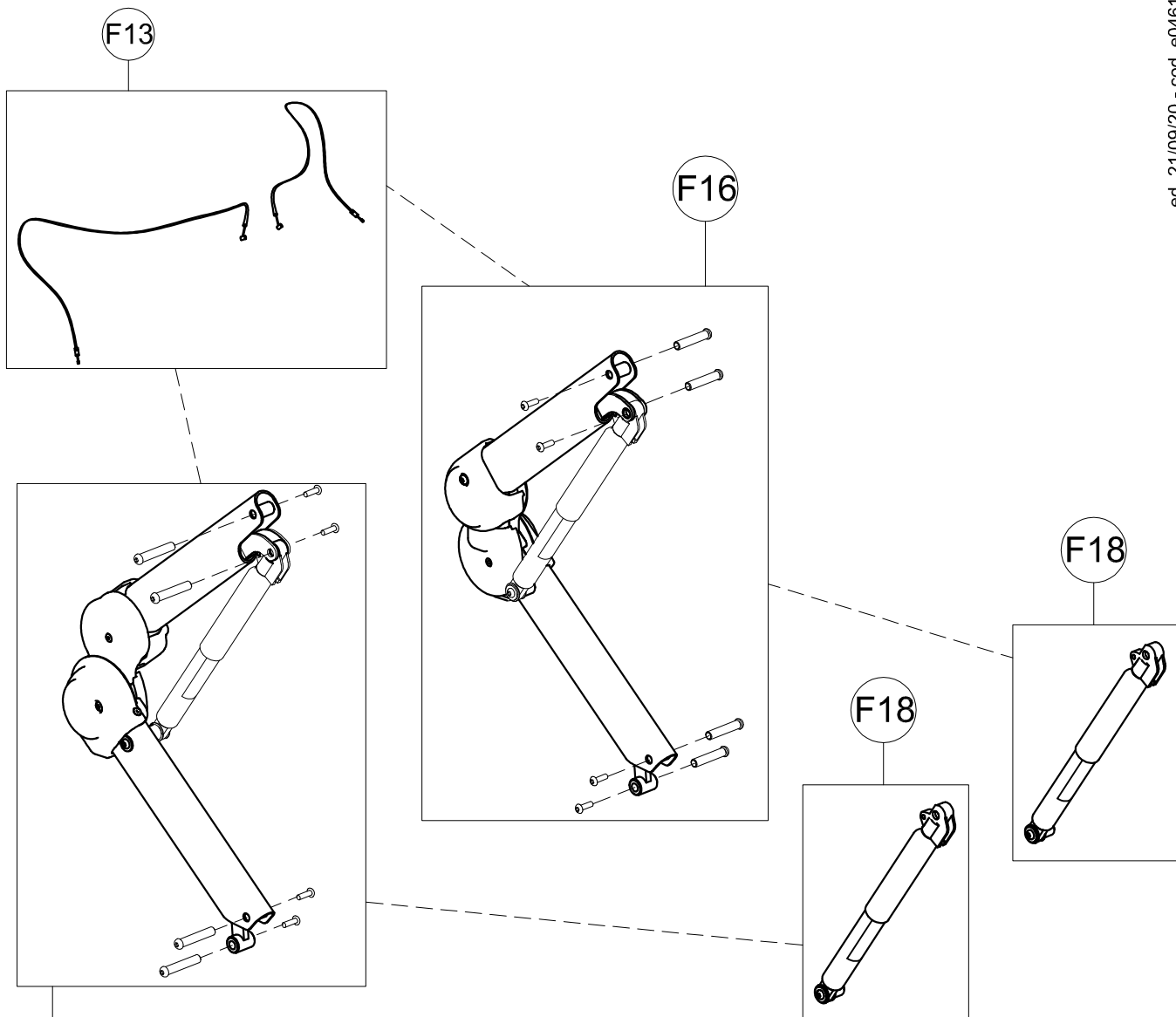
**Spare Parts HANDLEBAR SUPPORT + HORIZONTAL BARS FRONT-DRIVE GRILLO size Small**





F7	303204	UPPER CROSSPIECE SUPPORT+LOCKING LEVERS
F8	302287	LEFT UPPER CROSSPIECE SUPPORT+LOCKING LEVER
F9	302286	RIGHT UPPER CROSSPIECE SUPPORT+LOCKING LEVER
F10	302288	SET OF LEVERS TO LOCK TRUNK SUPPORT VERTICALLY
F11	302268	UPPER PELVIC BLOCK FIXING
F12	301806	SET OF LEVER TO LOCK PELVIC SUPP.VERTICALLY
F13	302407	PAIR OF HEIGHT ADJUST.CABLES GRILLO small(1-2)
F14	301808	PAIR OF KNOBS FOR GAS SPRING GRILLO
F15	302823	OPERATING LEVER SUPPORT
POS.	PART NR.	DESCRIPTION

**Spare Parts** UPPER PART OF FRONT-DRIVE  
GRILLO BASE size Small

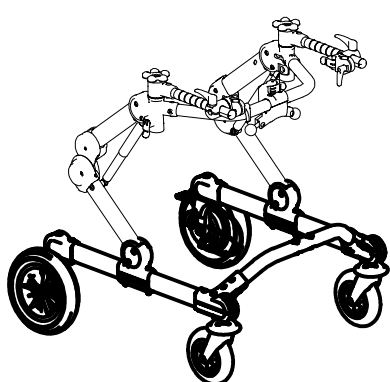
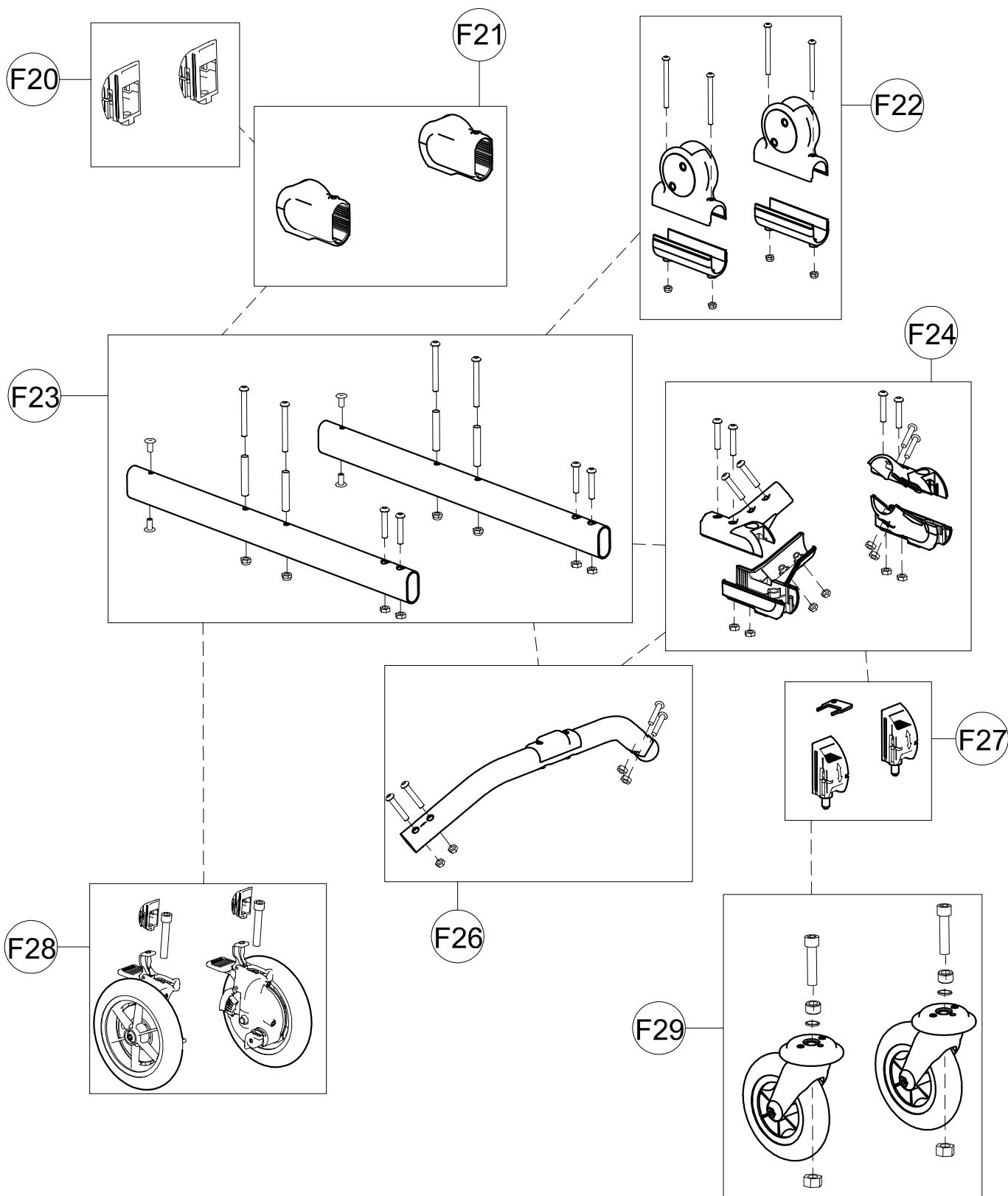


F13	302407	PAIR OF HEIGHT ADJUSTMENT CABLES
F16	301809	COMPLETE LEFT JOINT
F17	301810	COMPLETE RGT JOINT
F18	302042	GAS SPRING GRILLO
F19	303206	BASE FRONT-DRIVE GRILLO Small + WHEELS
POS.	PART NR.	DESCRIPTION

Spare Parts FRONT-DRIVE GRILLO JOINTS size Small

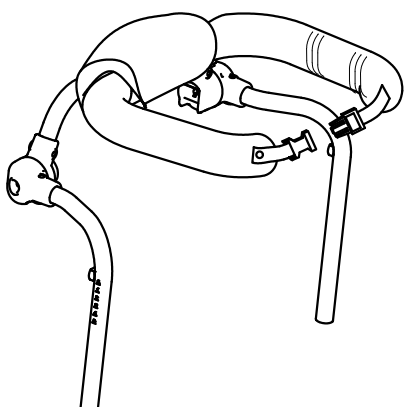
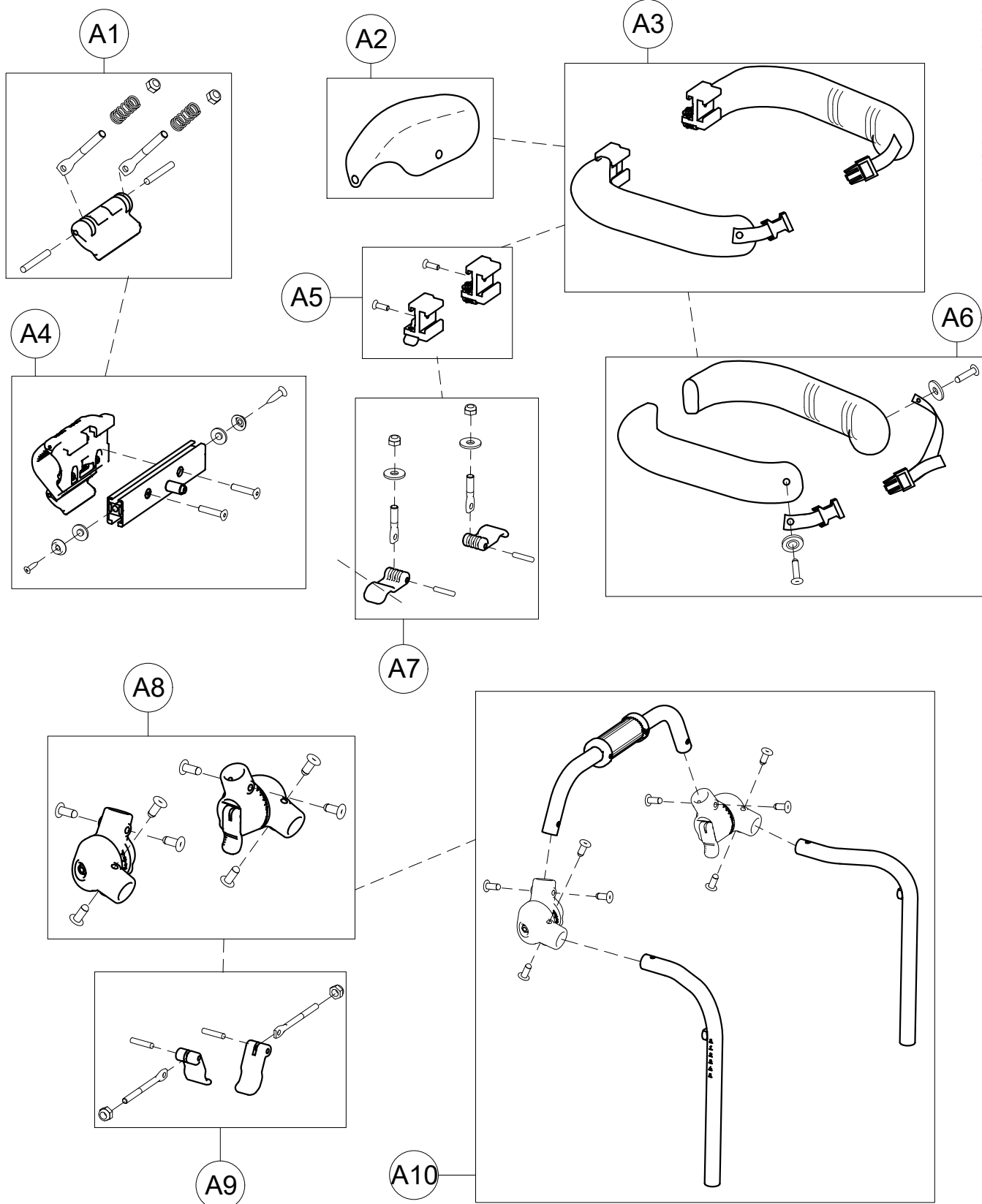
**ORMESA®**

**GRILLO**



F20	303508	PAIR OF DIRECT.CAPS FOR WHEELS
F21	303208	PAIR OF WHEEL SUPPORTS
F22	301812	PAIR OF UPPER/LOWER SUPPORTS OF SIDE
F23	303209	PAIR OF SIDE SUPPORTS
F24	303211	KIT OF LOWER CROSSPIECE SUPPORT
F26	303213	LOWER CROSSPIECE+SCREWS
F27	302546	PAIR OF DIRECTION LOCKS
F28	303475	PAIR OF COMPLETE REAR WHEELS
F29	303385	PAIR OF COMPLETE FRONT WHEELS
POS.	PART NR.	DESCRIPTION

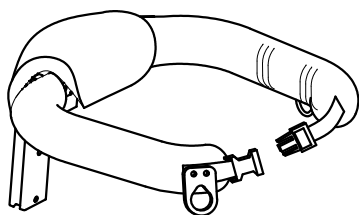
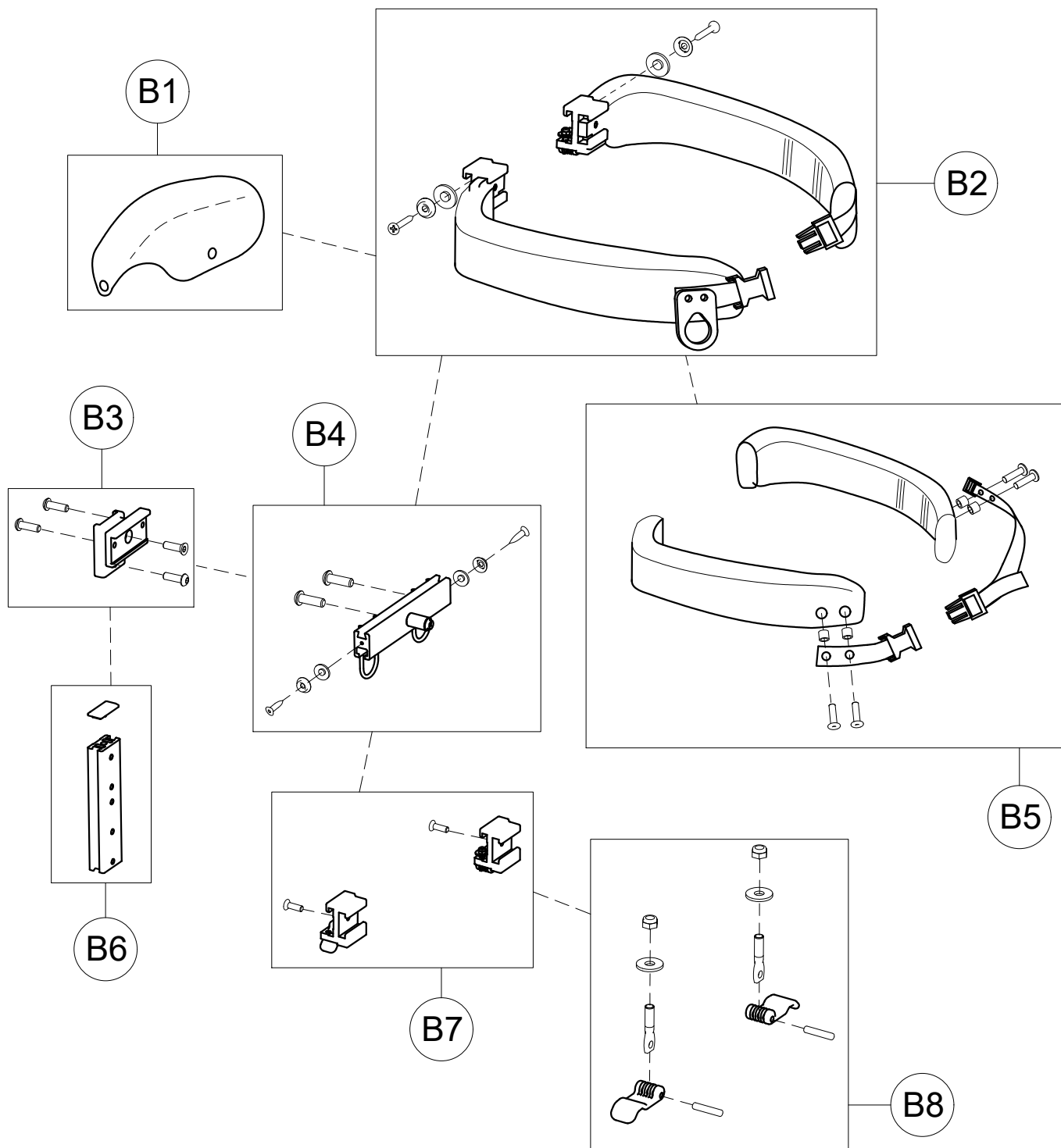
Spare Parts LOWER PART OF FRONT-DRIVE  
GRILLO BASE size Small



A1	301832	SET OF CLAMPING LEVER TO ROTATE TRUNK SUPPORT
A2	160570P	CENTRAL PADDING
A3	303194	PAIR OF TRUNK HALF SUPPORT
A4	302221	EXTERNAL ROTATION SUPPORT + WIDTH ADJUSTMENT
A5	302298	PAIR OF PROFILE TO SLIDE TRUNK/PELVIC SUPPORT
A6	303221	PAIR OF TRUNK PADDING + STRAPS AND RIVETS
A7	301842	SET OF LEVERS FOR TRUNK SUPPORT WIDTH
A8	303223	PAIR OF TRUNK SUPPORT JOINTS
A9	301843	SET OF TRUNK SUPPORT JOINT LEVERS
A10	303410	FRAME+JOINTS TRUNK SUPPORT

POS. PART NR. DESCRIPTION

### Spare Parts TRUNK SUPPORT size Small



B1	160570P	CENTRAL PADDING
B2	303193	PAIR OF PELVIC HALF SUPPORT
B3	303226	PELVIC SUPPORT +SCREWS
B4	303227	PROFILE TO ADJUST PELVIC SUPPORT IN WIDTH + HOOKS
B5	303229	PAIR OF PELVIC PADDING + STRAPS AND RIVETS
B6	301847	PELVIC SUPPORT HEIGHT ADJUSTMENT
B7	302298	PAIR OF PROFILE TO SLIDE TRUNK/PELVIC SUPPORT
B8	301842	SET OF LEVERS FOR TRUNK SUPPORT WIDTH

POS. PART NR. DESCRIPTION

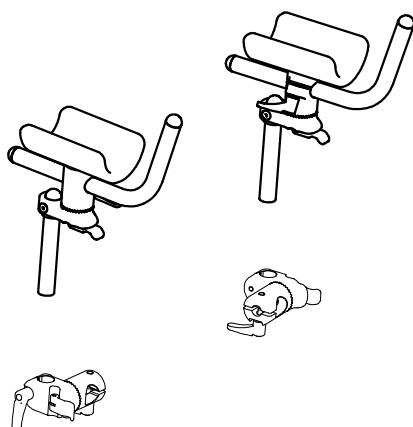
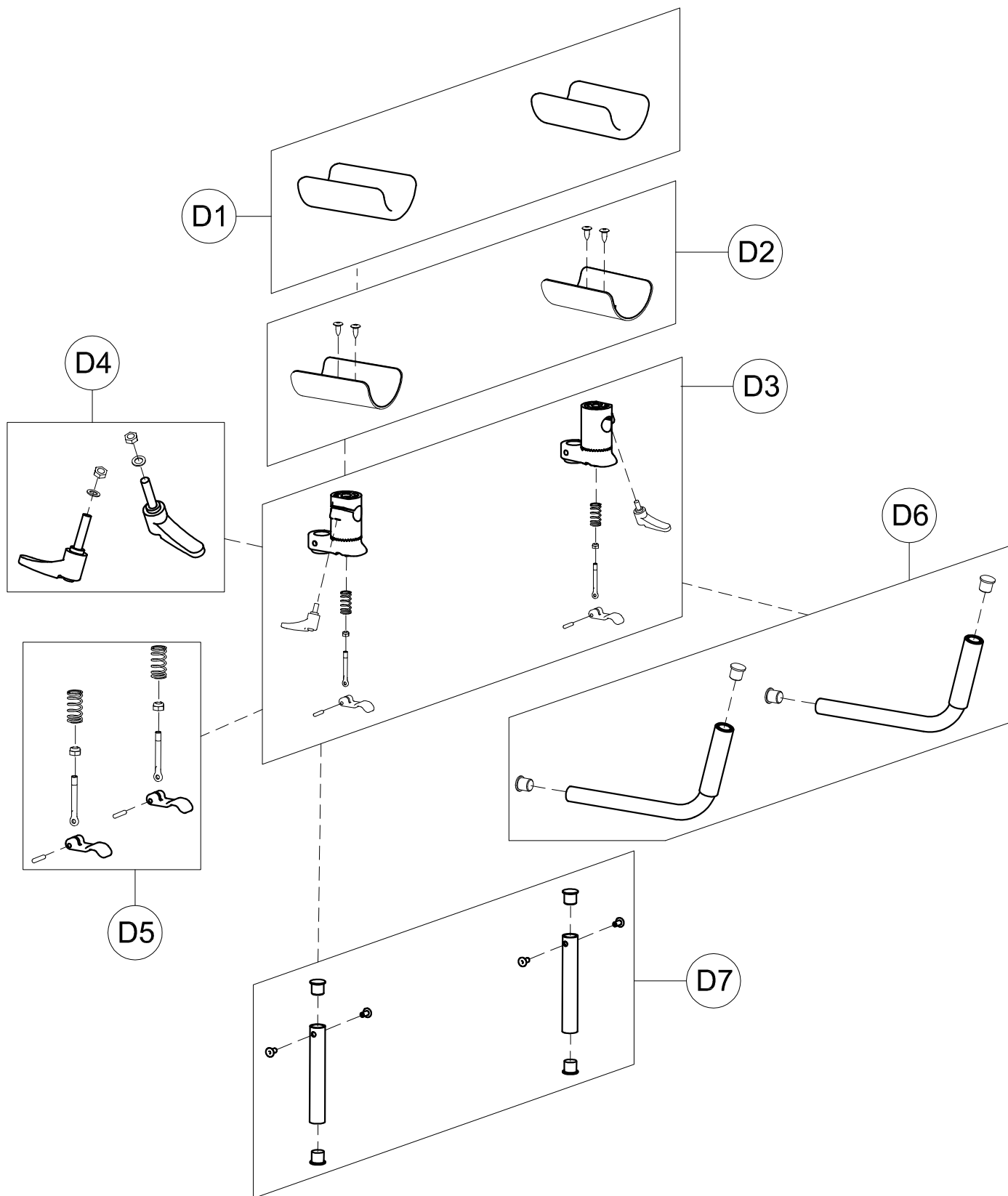
### Spare Parts PELVIC SUPPORT Small

pag. 7

**ORMESA**

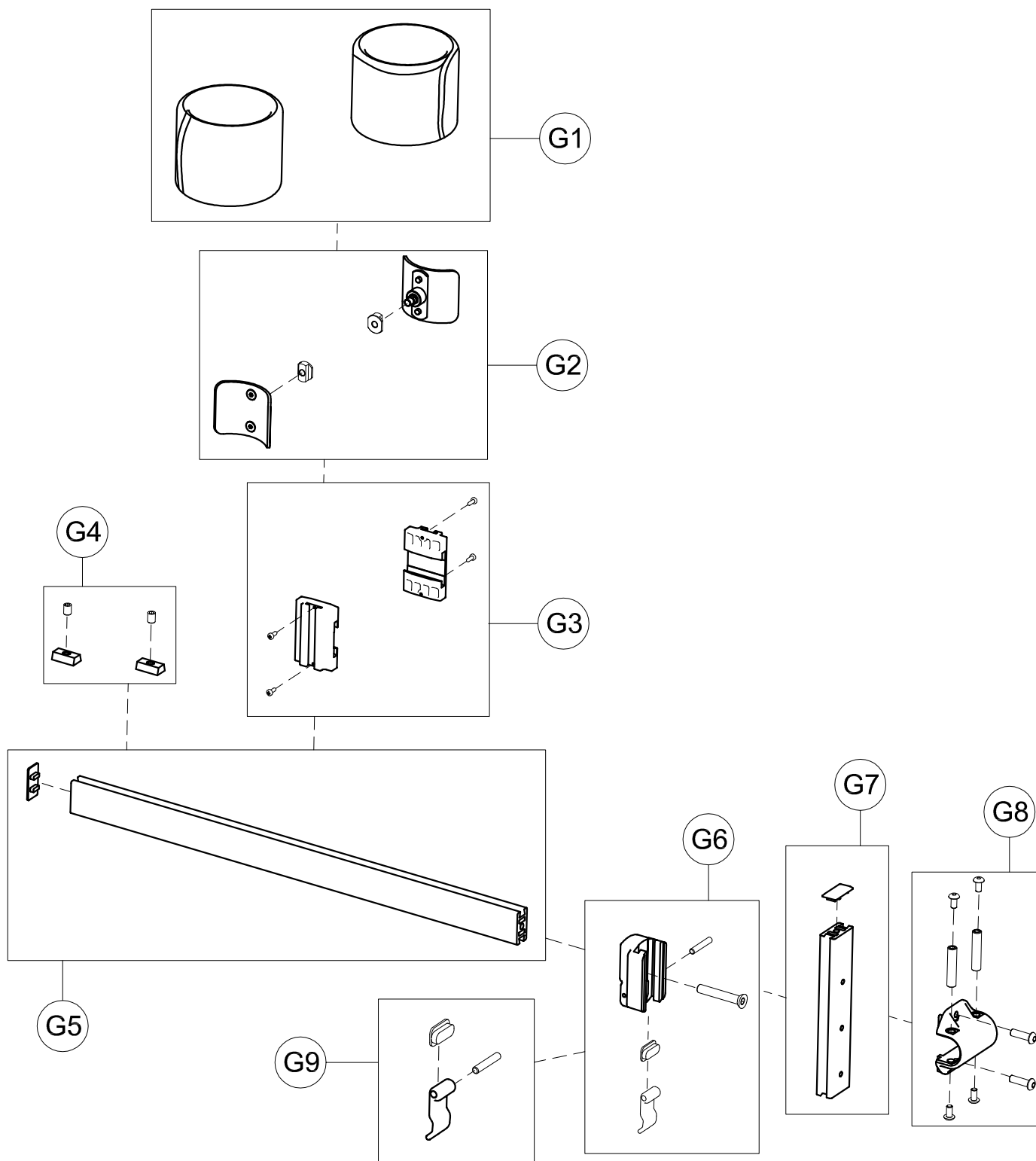
**GRILLO**

THIS DRAWING BELONGS TO ORMESA: IT IS FORBIDDEN TO REPRODUCE, CHANGE OR INFORM ANY THIRD PARTY ABOUT ITS CONTENTS

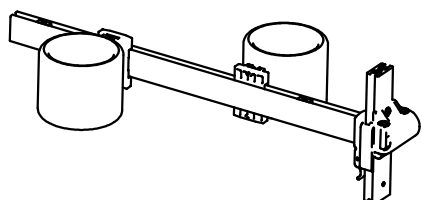


D1	171186	809 ARM SUPPORT UPHOLSTERY
D2	301849	PAIR OF CURVED PLATE 809 small
D3	301851	PAIR OF LOWER/UPPER TOOTHED SUPPORTS 809
D4	303108	PAIR OF M6X25 LEVERS
D5	301852	SET OF TOOTHED SUPP.LEVERS 809
D6	301853	PAIR OF HANDLEBAR BARS 809
D7	301854	PAIR OF VERT.BARS 809 Small
POS.	CODICE	DESCRIZIONE

Spare Parts ARM SUPPORTS size Small



G1	171206	890 small UPHOLSTERY for GRILLO
G2	301856	PAIR OF CURVED PLATE 890 small
G3	301858	PAIR OF ABDUCT.SLIDING PROFILE
G4	301859	PAIR OF ABDUCT. 890 STOP
G5	301860	HORIZONTAL BAR 890 small +CAP
G6	301862	890 FIXING BAR +LEVER/SCREWS
G7	303231	890 VERTICAL .BAR+CAP
G8	303233	FIXING LOCK 890 + SCREWS
G9	301866	SET OF HEIGHT ADJUSTMENT LEVER 890 GRILLO
POS.	PART NR.	DESCRIPTION



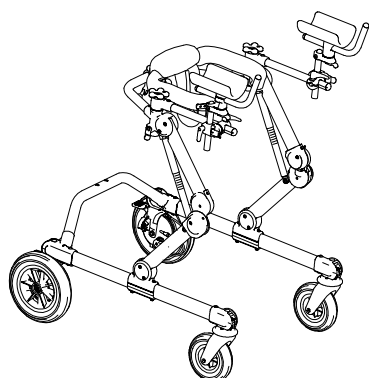
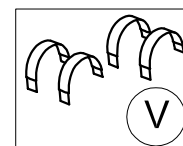
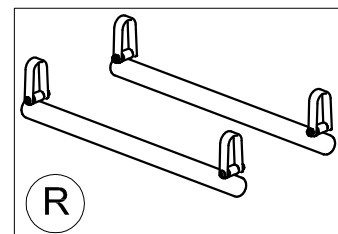
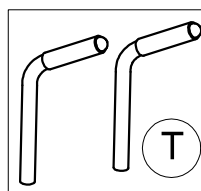
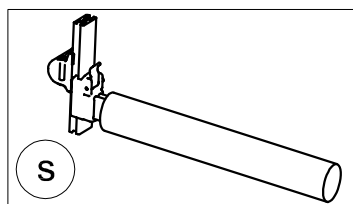
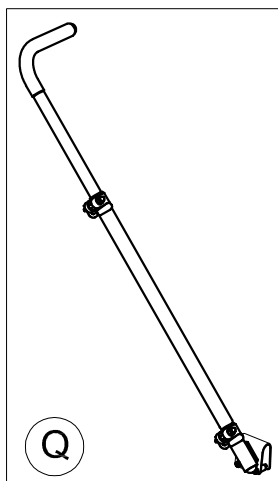
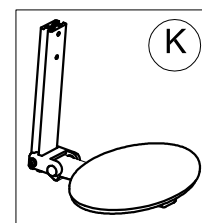
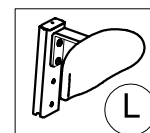
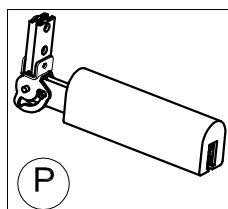
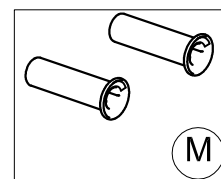
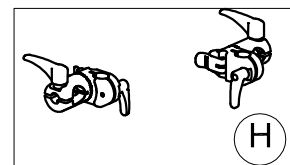
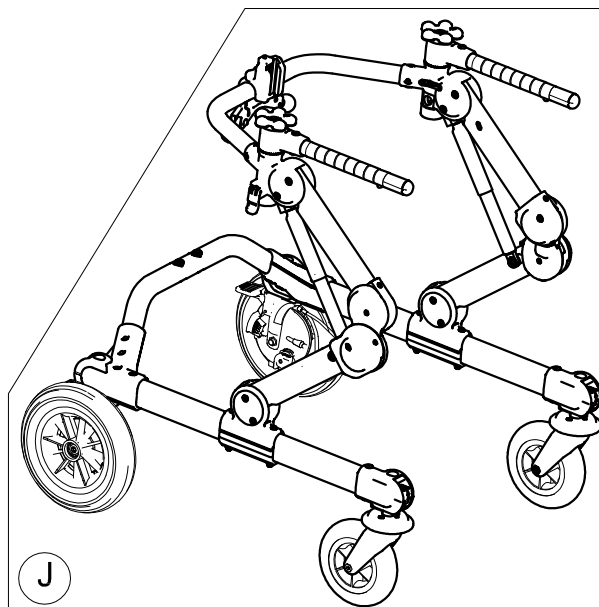
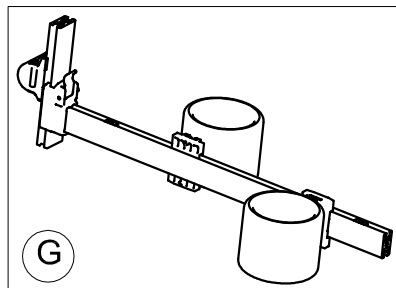
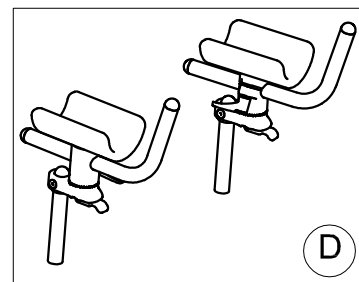
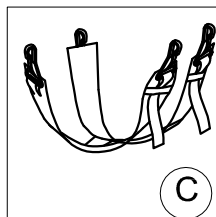
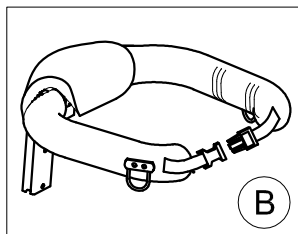
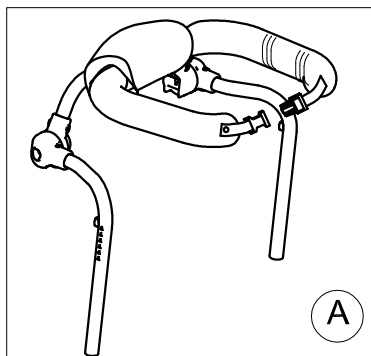
Spare Parts LEG DIVIDER+ABDUCTORS size Small

pag. 9

**ORMESA®**

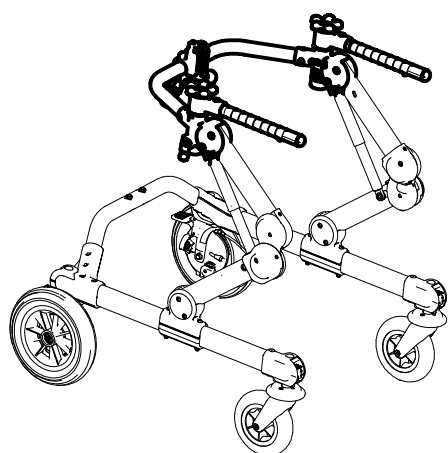
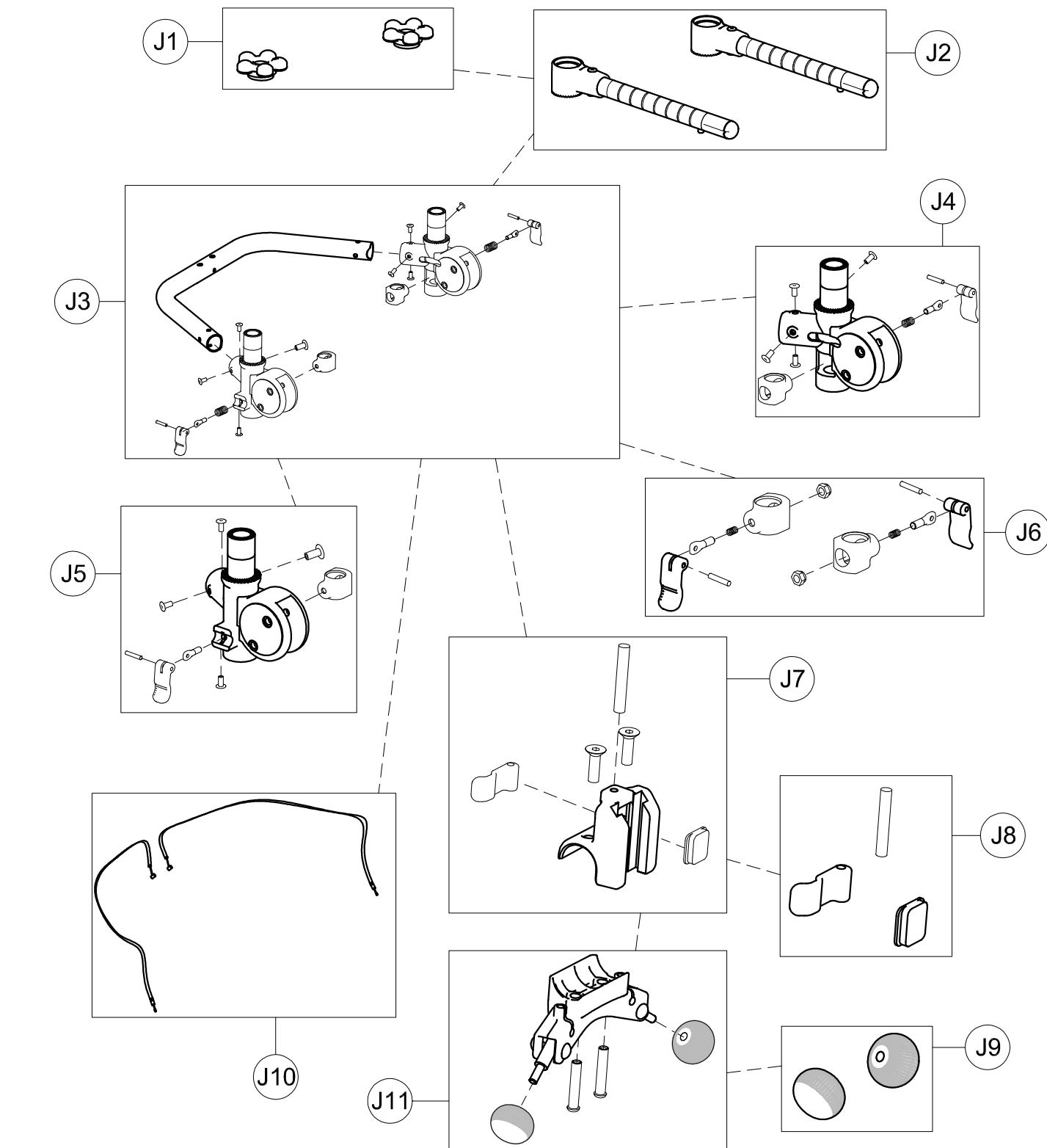
**GRILLO**

THIS DRAWING BELONGS TO ORMESA: IT IS FORBIDDEN TO REPRODUCE, CHANGE OR INFORM ANY THIRD PARTY ABOUT ITS CONTENTS



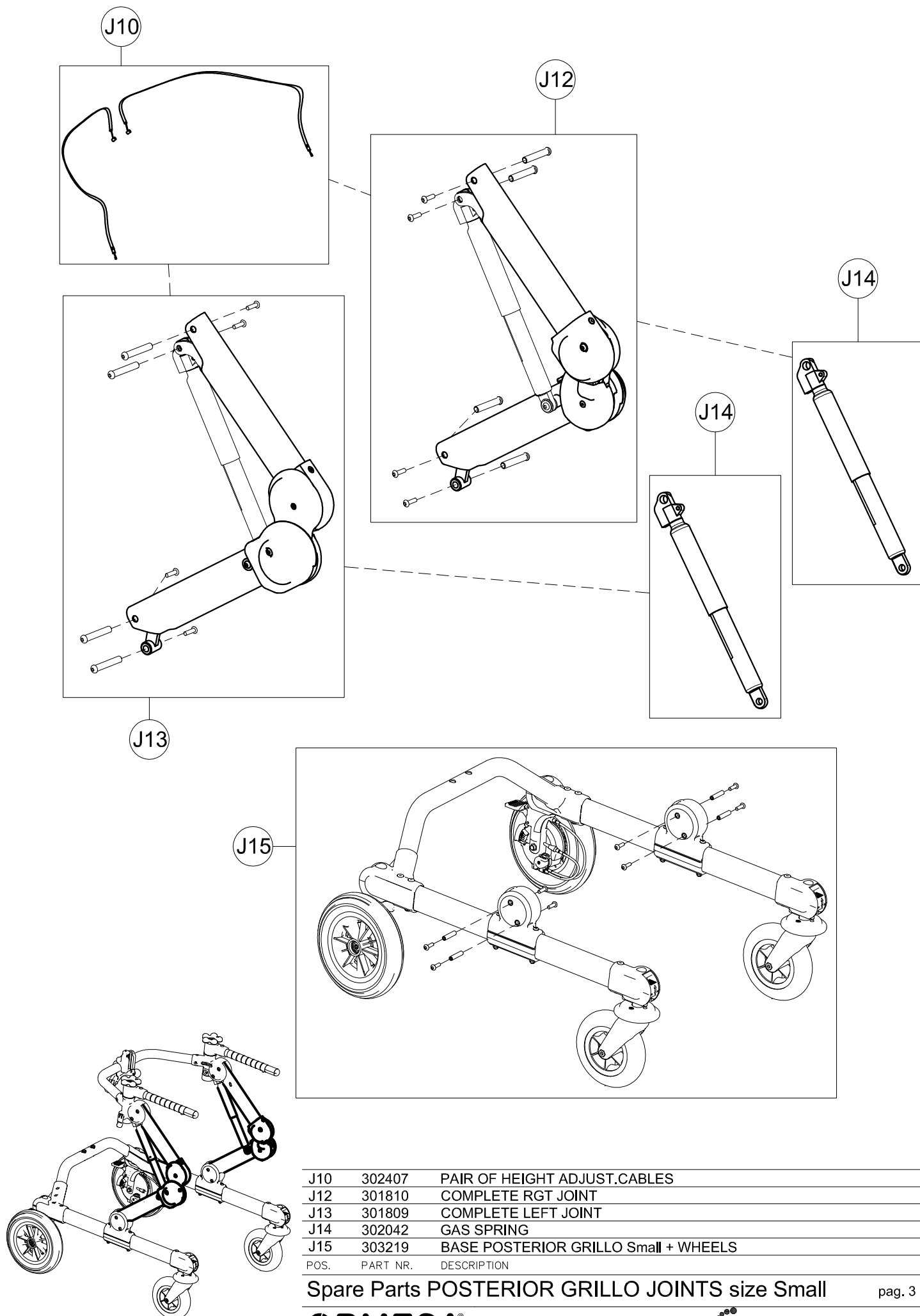
A	103639	925-Small TRUNK SUPPORT
B	103635	924-Small PELVIC SUPPORT
C	103631	930-Small PELVIC HARNESS
D	103573	809-Small ARM SUPPORT
G	102808	890-C Small LEG DIVIDER+ABDUCTOR
H	302450	RIGHT-LEFT SUPPORTS FOR 809
J	303217	FRAME OF POSTERIOR GRILLO small
K	102778	918 Small FOLDING SEAT
L	102792	919 Small LUMBAR SUPPORT
M	103588	927 REMOVABLE GRIP HANDLES
P	103601	815 Small SADDLE
Q	103581	923 PUSH HANDLEBAR FOR CARE GIVERS
R	105604	810 Small PAIR OF WEIGHT BARS
S	102811	890-SC Small LEG DIVIDER
T	102970	939 ERGONOMIC HANDLES
V	103615	943-Small ARM STRAPS
POS.	PART NR.	DESCRIPTION

### Spare Parts POSTERIOR GRILLO size Small



J1	301797	PAIR OF KNOBS TO FIX HORIZONT.SUPPORT
J2	302404	PAIR OF HORIZONTAL BARS
J3	303204	UPPER CROSSPIECE SUPPORT+LOCKING LEVERS
J4	302286	RIGHT UPPER CROSSPIECE SUPPORT+LOCKING LEVER
J5	302287	LEFT UPPER CROSSPIECE SUPPORT+LOCKING LEVER
J6	302288	SET OF LEVERS TO LOCK TRUNK SUPPORT VERTICALLY
J7	302268	UPPER PELVIC BLOCK FIXING
J8	301806	SET OF LEVER TO LOCK PELVIC SUPPORT VERTICALLY
J9	301808	PAIR OF KNOBS FOR GAS SPRING
J10	302407	PAIR OF HEIGHT ADJUST.CABLES
J11	302823	OPERATING LEVER SUPPORT
POS.	PART NR.	DESCRIPTION

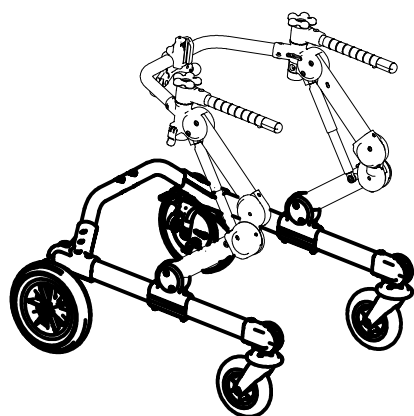
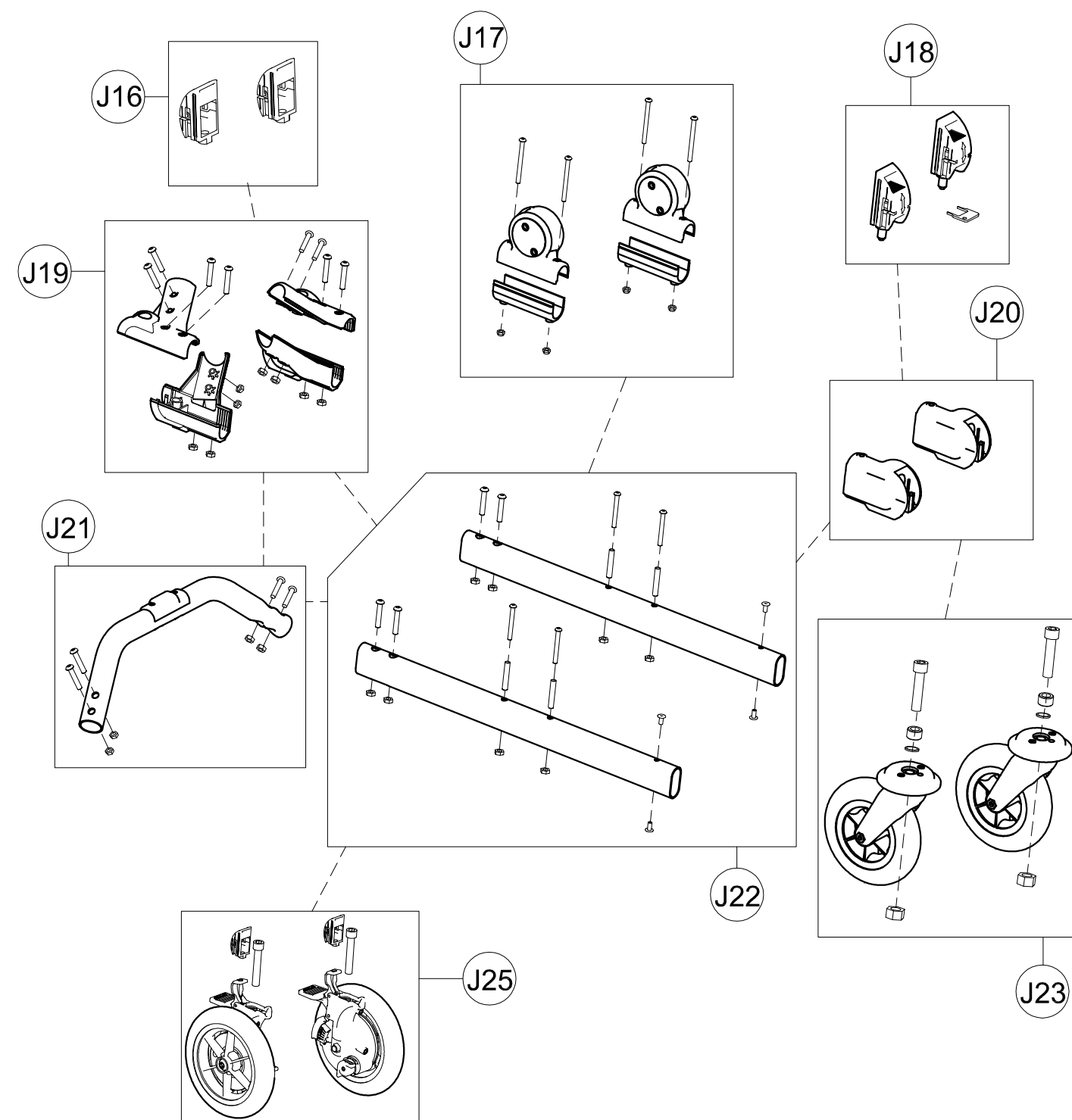
**Spare Parts** UPPER PART OF POSTERIOR GRILLO BASE size Small



J10	302407	PAIR OF HEIGHT ADJUST.CABLES
J12	301810	COMPLETE RGT JOINT
J13	301809	COMPLETE LEFT JOINT
J14	302042	GAS SPRING
J15	303219	BASE POSTERIOR GRILLO Small + WHEELS
POS.	PART NR.	DESCRIPTION

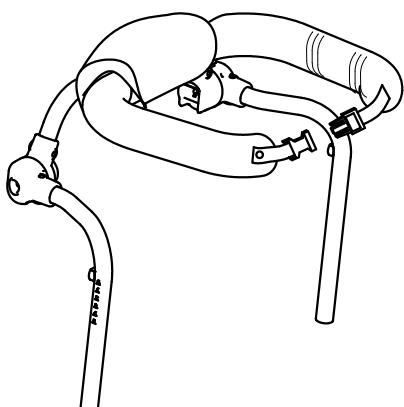
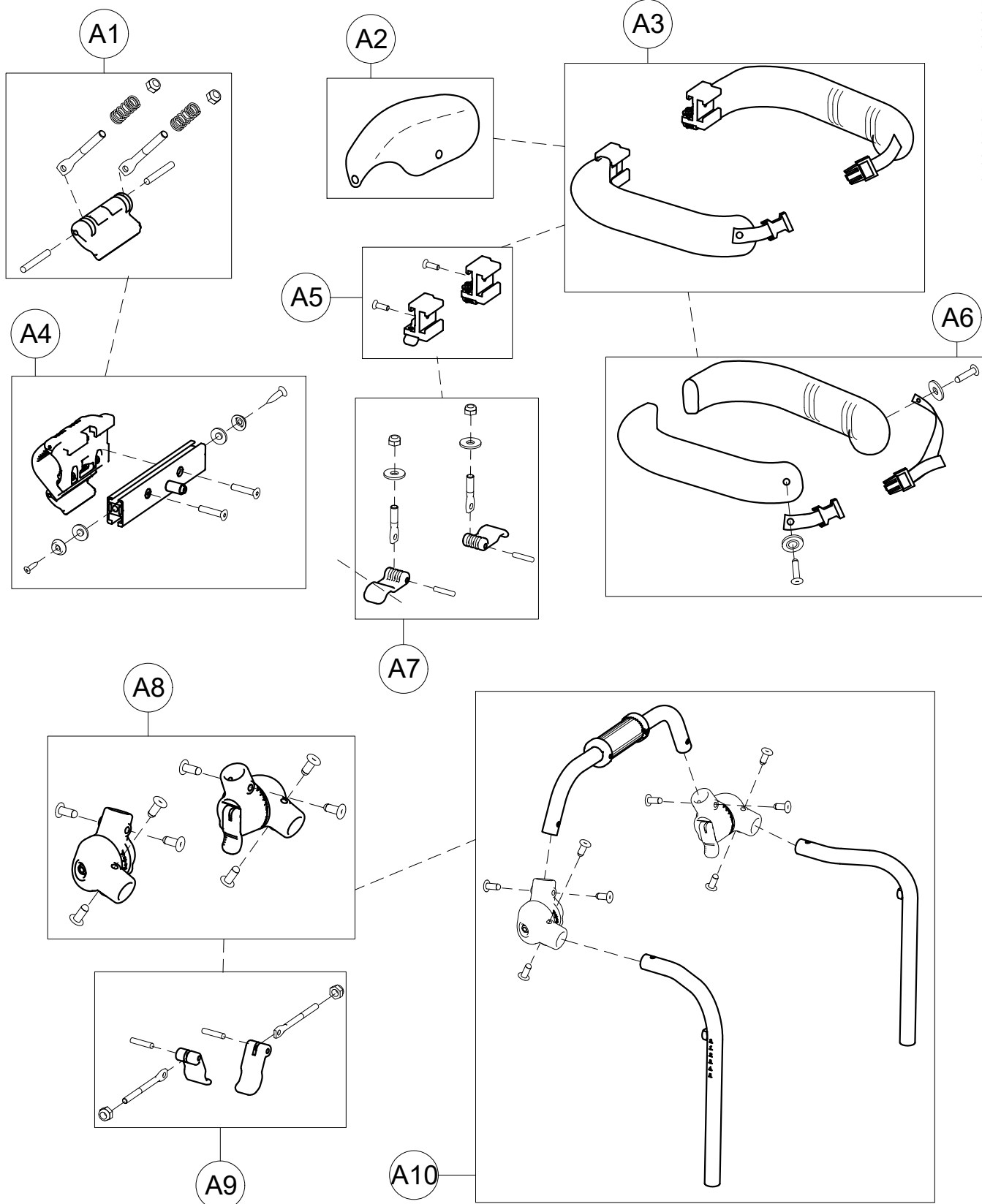
Spare Parts POSTERIOR GRILLO JOINTS size Small





J16	303508	PAIR OF DIRECT.CAPS FOR WHEELS
J17	301812	PAIR OF UPPER/LOWER SUPPORTS OF SIDE
J18	302546	PAIR OF DIRECTION LOCKS
J19	303211	KIT OF LOWER CROSSPIECE SUPPORT
J20	303208	PAIR OF WHEEL SUPPORTS
J21	303213	LOWER CROSSPIECE+SCREWS
J22	303209	PAIR OF BASE SIDES
J23	303385	PAIR OF COMPLETE FRONT WHEELS
J25	303475	PAIR OF COMPLETE REAR WHEELS
POS.	PART NR.	DESCRIPTION

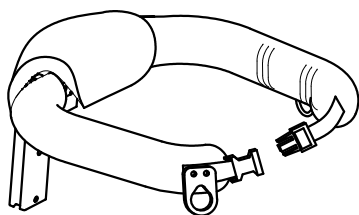
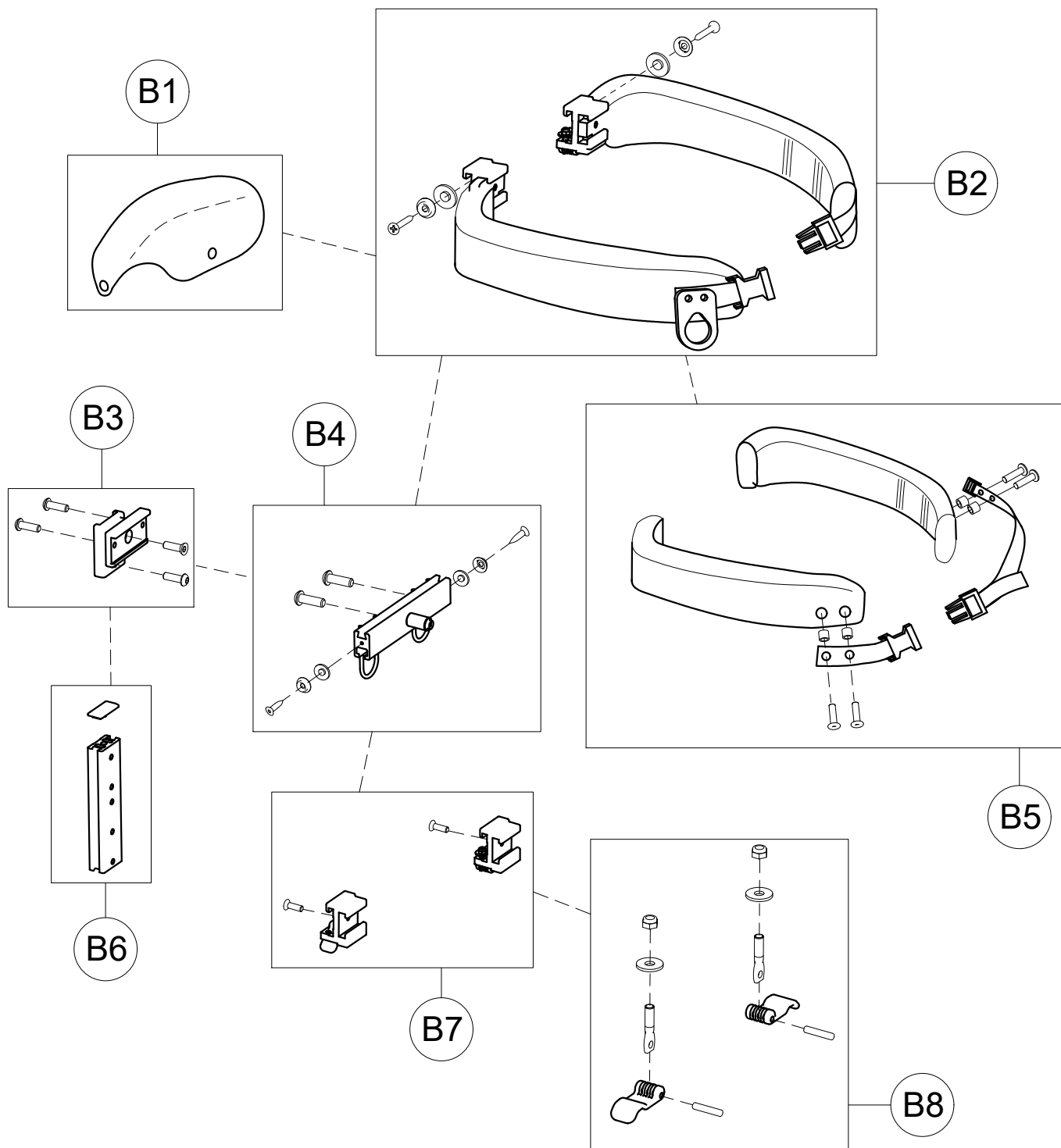
Spare Parts LOWER PART OF POSTERIOR  
GRILLO BASE size Small



A1	301832	SET OF CLAMPING LEVER TO ROTATE TRUNK SUPPORT
A2	160570P	CENTRAL PADDING
A3	303194	PAIR OF TRUNK HALF SUPPORT
A4	302221	EXTERNAL ROTATION SUPPORT + WIDTH ADJUSTMENT
A5	302298	PAIR OF PROFILE TO SLIDE TRUNK/PELVIC SUPPORT
A6	303221	PAIR OF TRUNK PADDING + STRAPS AND RIVETS
A7	301842	SET OF LEVERS FOR TRUNK SUPPORT WIDTH
A8	303223	PAIR OF TRUNK SUPPORT JOINTS
A9	301843	SET OF TRUNK SUPPORT JOINT LEVERS
A10	303410	FRAME+JOINTS TRUNK SUPPORT

POS. PART NR. DESCRIPTION

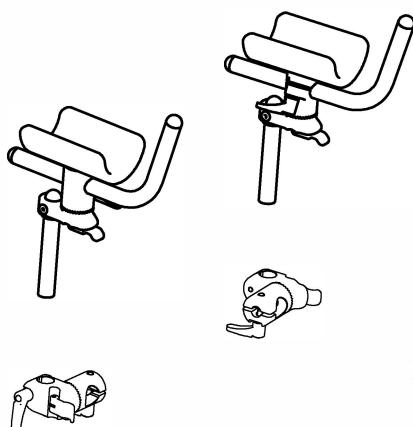
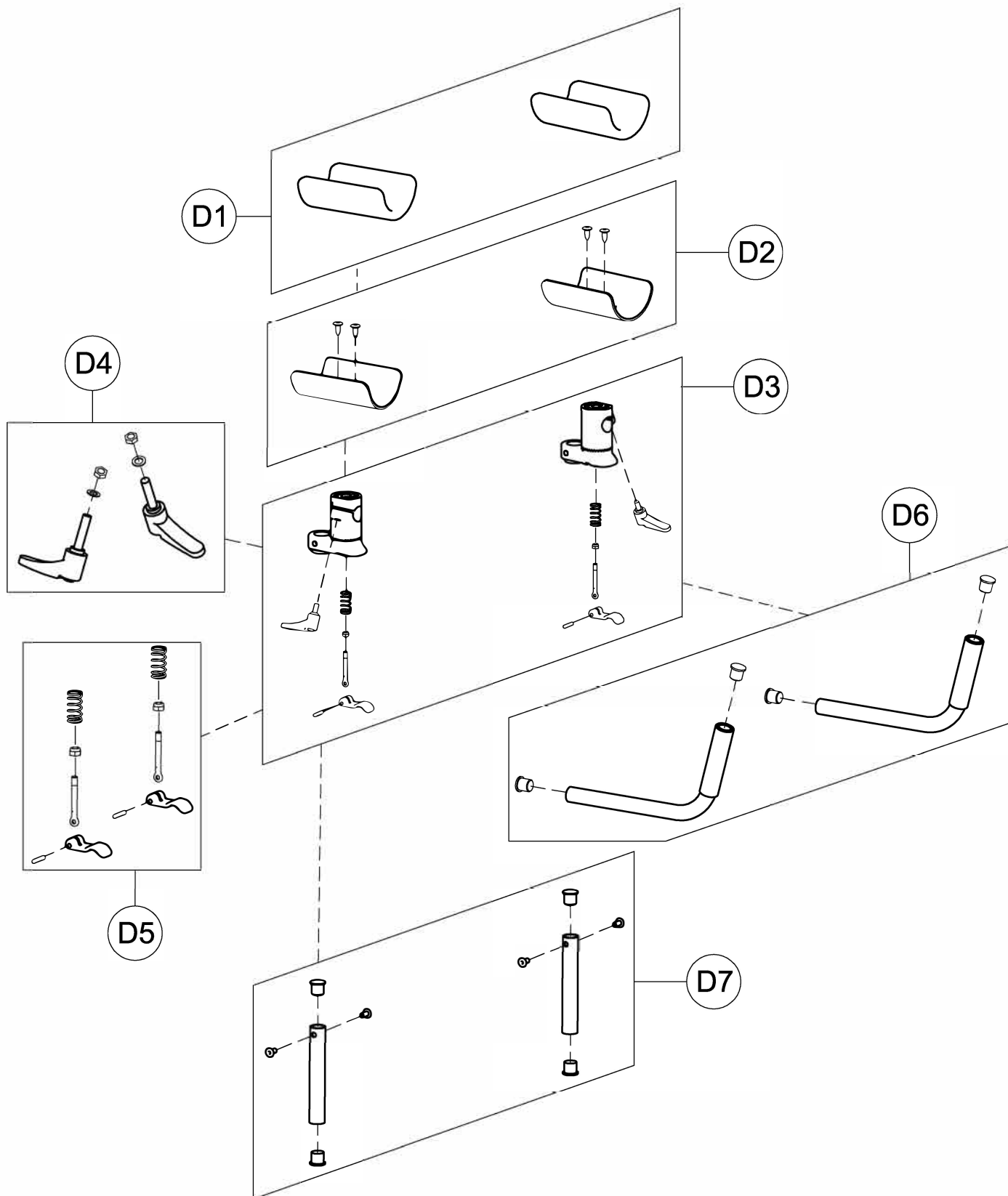
### Spare Parts TRUNK SUPPORT size Small



B1	160570P	CENTRAL PADDING
B2	303193	PAIR OF PELVIC HALF SUPPORT
B3	303226	PELVIC SUPPORT +SCREWS
B4	303227	PROFILE TO ADJUST PELVIC SUPPORT IN WIDTH + HOOKS
B5	303229	PAIR OF PELVIC PADDING + STRAPS AND RIVETS
B6	301847	PELVIC SUPPORT HEIGHT ADJUSTMENT
B7	302298	PAIR OF PROFILE TO SLIDE TRUNK/PELVIC SUPPORT
B8	301842	SET OF LEVERS FOR TRUNK SUPPORT WIDTH

POS. PART NR. DESCRIPTION

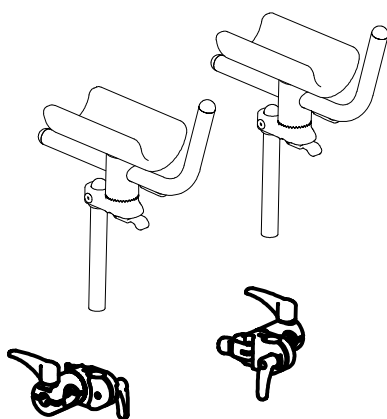
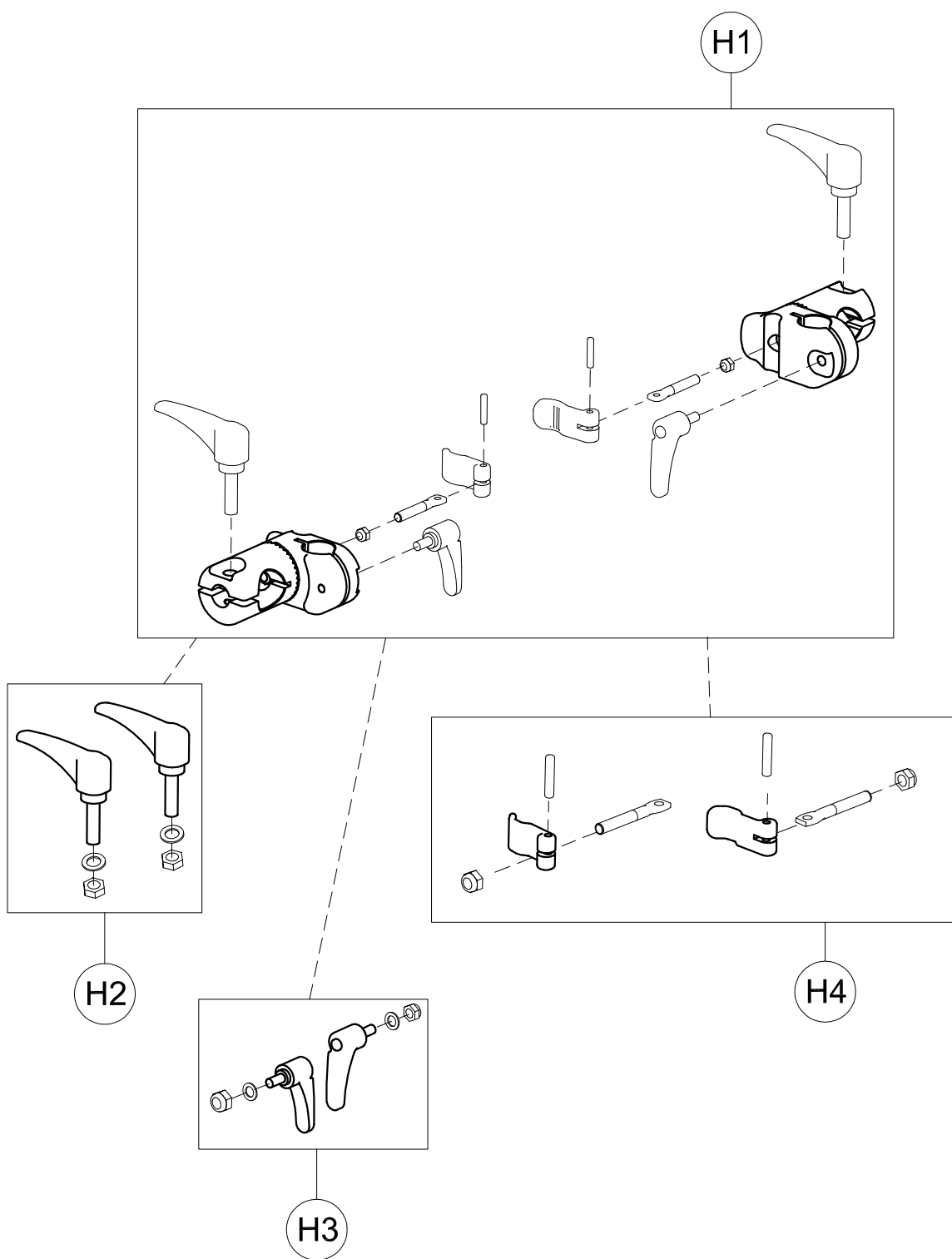
### Spare Parts PELVIC SUPPORT Small



D1	171186	809 ARM SUPPORT UPHOLSTERY
D2	301849	PAIR OF CURVED PLATE 809 small
D3	301851	PAIR OF LOWER/UPPER TOOTHED SUPPORTS 809
D4	303108	PAIR OF M6X25 LEVERS
D5	301852	SET OF TOOTHED SUPP.LEVERS 809
D6	301853	PAIR OF HANDLEBAR BARS 809
D7	301854	PAIR OF VERT.BARS 809 Small

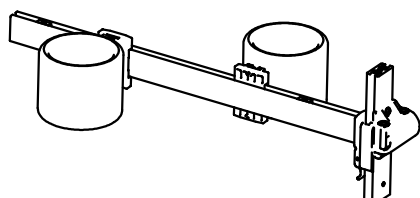
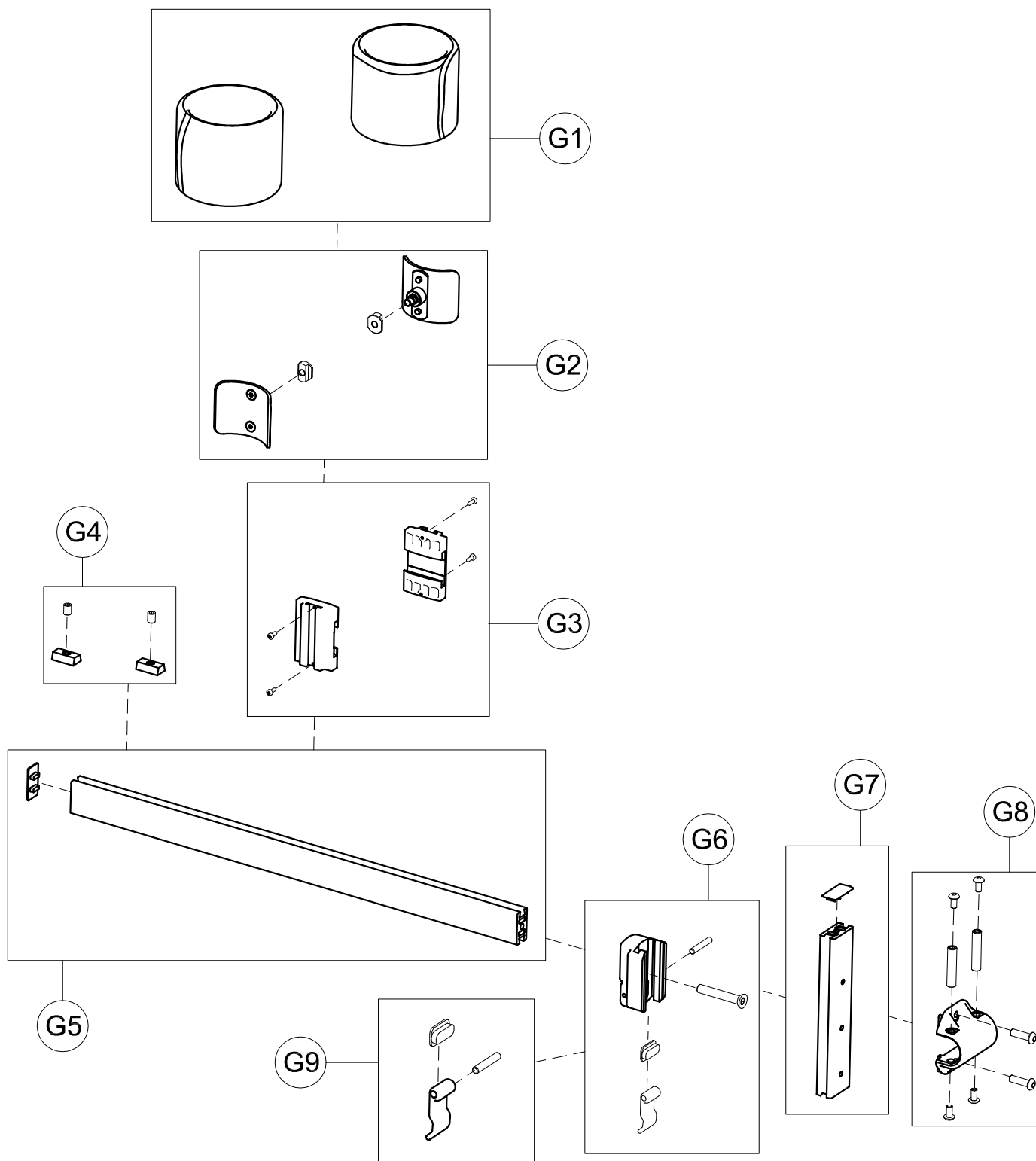
POS.	CODICE	DESCRIZIONE
------	--------	-------------

**Spare Parts ARM SUPPORTS size Small**



H1	302450	RGT-LEFT SUPPORTS OF 809 GRILLO
H2	301799	PAIR OF M8X35 HANDLES
H3	301800	PAIR OF M6X30 HANDLES
H4	301801	SET OF LEVERS TO LOCK THE HANDLEBAR VERTICALLY
POS.	PART NR.	DESCRIPTION

Spare Parts **ARM SUPPORT JOINT FOR POSTERIOR GRILLO**  
size Small, Medium and Large



G1	171206	890 small UPHOLSTERY for GRILLO
G2	301856	PAIR OF CURVED PLATE 890 small
G3	301858	PAIR OF ABDUCT.SLIDING PROFILE
G4	301859	PAIR OF ABDUCT. 890 STOP
G5	301860	HORIZONTAL BAR 890 small +CAP
G6	301862	890 FIXING BAR +LEVER/SCREWS
G7	303231	890 VERTICAL .BAR+CAP
G8	303233	FIXING LOCK 890 + SCREWS
G9	301866	SET OF HEIGHT ADJUSTMENT LEVER 890 GRILLO
POS.	PART NR.	DESCRIPTION

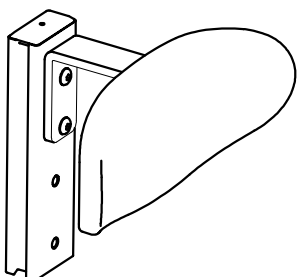
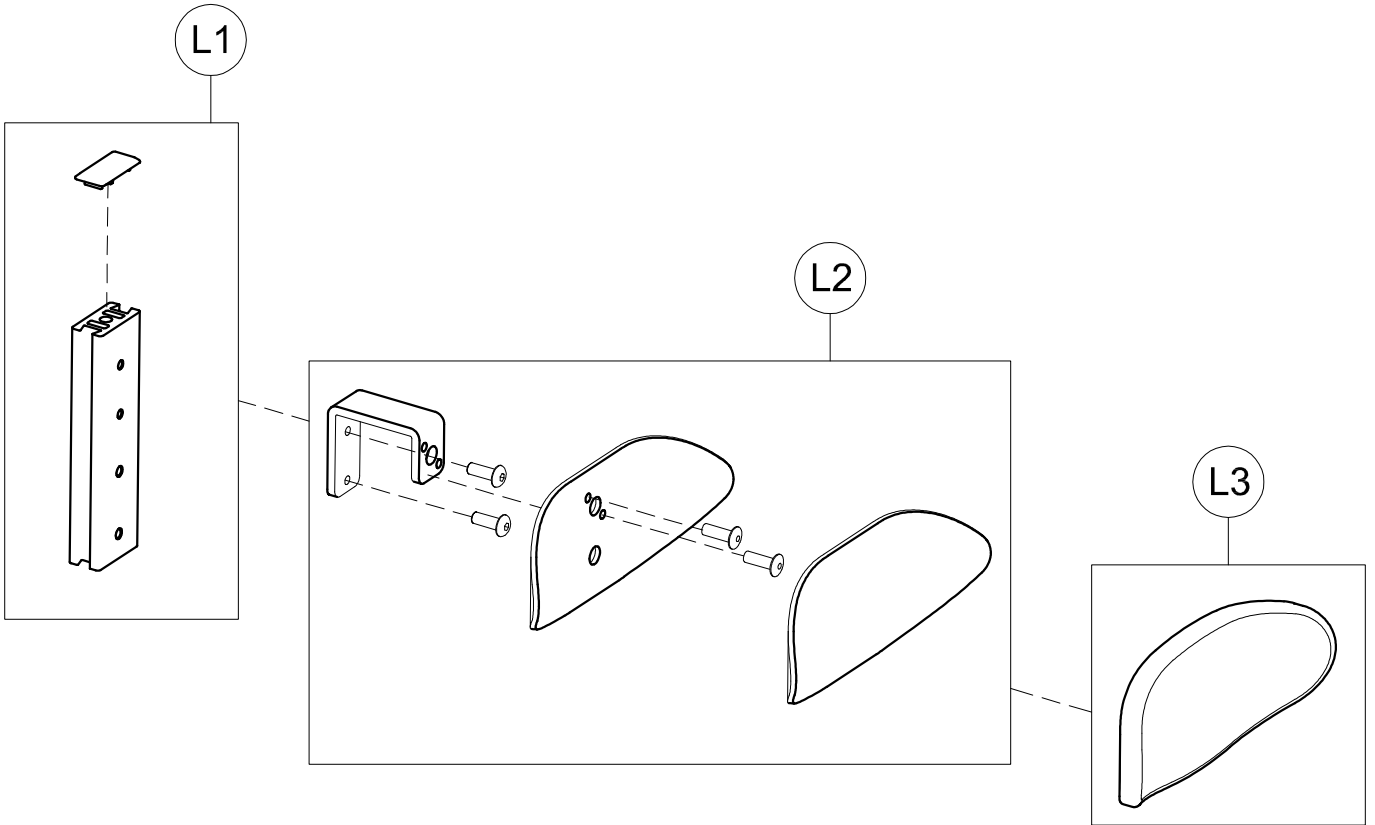
Spare Parts LEG DIVIDER+ABDUCTORS size Small

pag. 9

**ORMESA®**

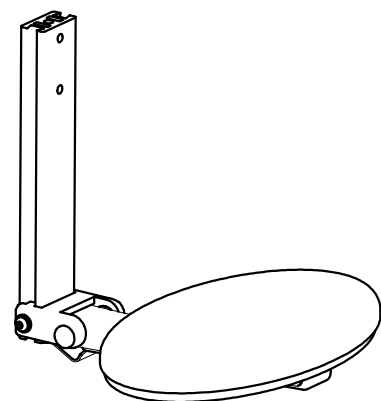
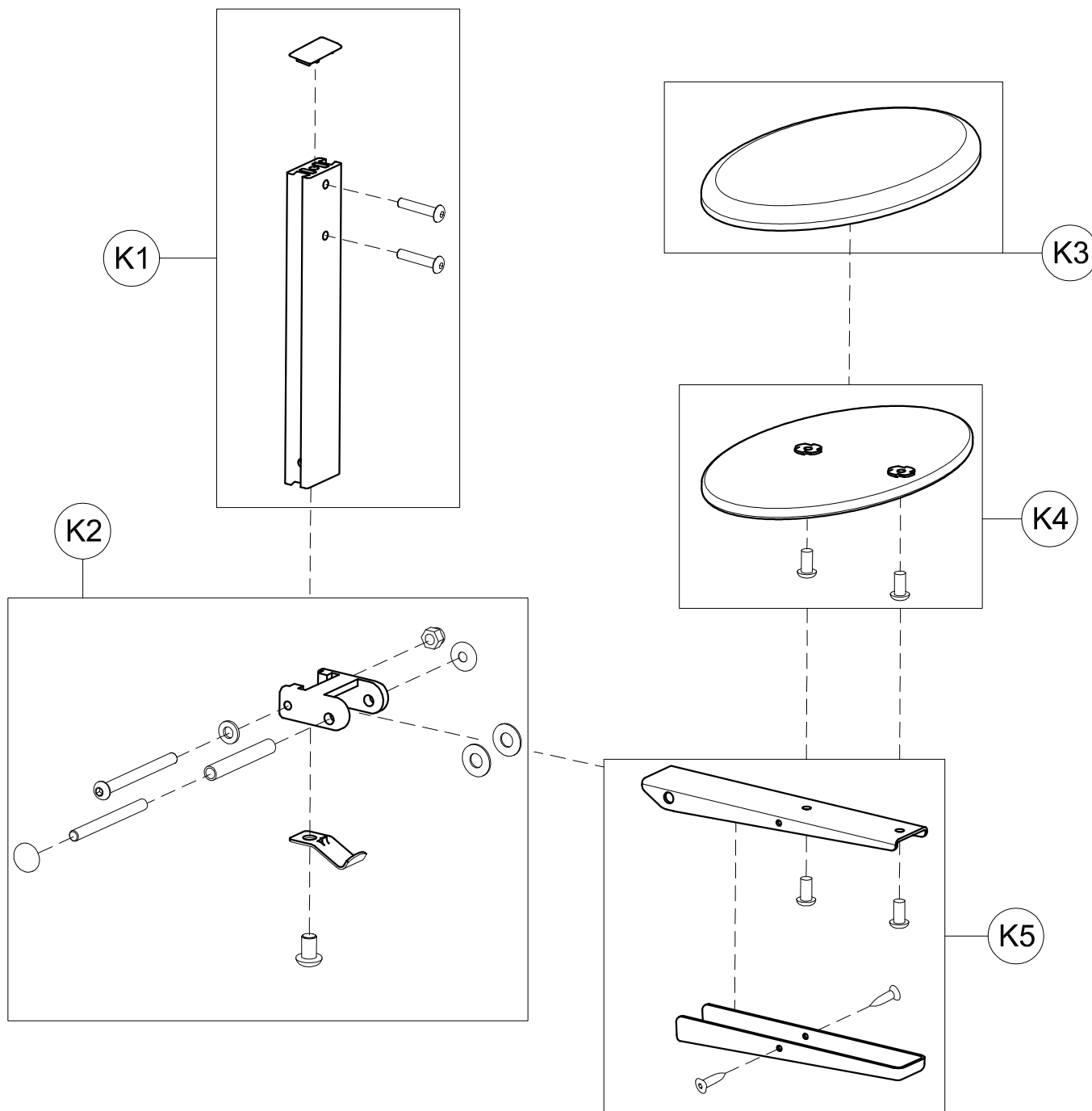
**GRILLO**

THIS DRAWING BELONGS TO ORMESA: IT IS FORBIDDEN TO REPRODUCE, CHANGE OR INFORM ANY THIRD PARTY ABOUT ITS CONTENTS



POS.	PART NR.	DESCRIPTION
L1	301867	LUMBAR SUPPORT VERTICAL BAR+CAP
L2	301868	PLATE+LUMBAR SUPPORT CONNECTION
L3	171081	BACK SUPPORT UPHOLSTERY

Spare Parts LUMBAR SUPPORT size Small



K1	301871	SEAT VERTICAL BAR+CAP
K2	301873	SEAT FORK+SPRING GRILLO
K3	171278	SEAT COVER FOR 918 Small
K4	301874	WOOD SEAT WITH SCREWS+SPIDERS
K5	301876	SEAT SUPPORT + COVER GRILLO
POS.	PART NR.	DESCRIPTION

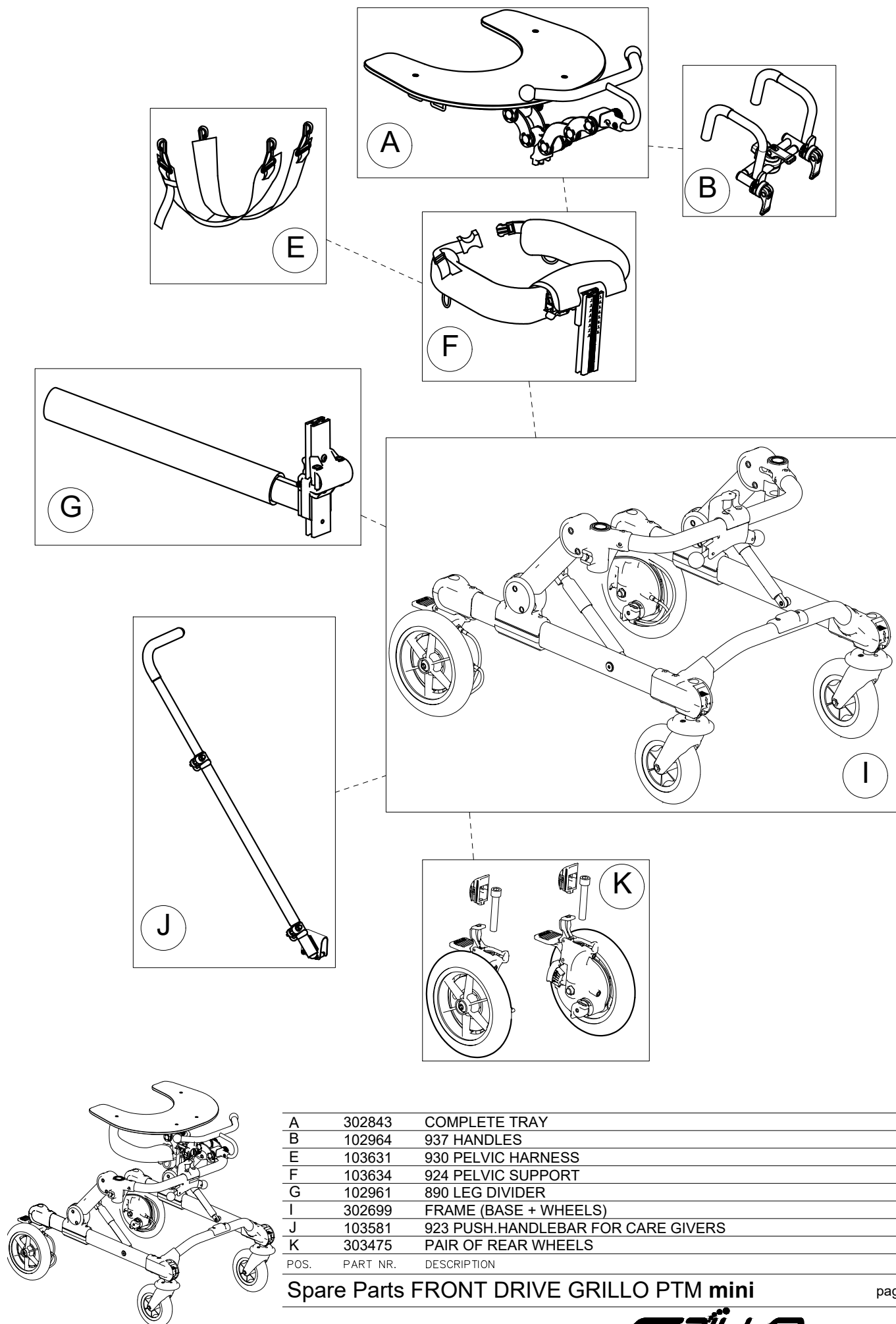
Spare Parts FOLDING SEAT size Small

pag. 11

**ORMESA®**

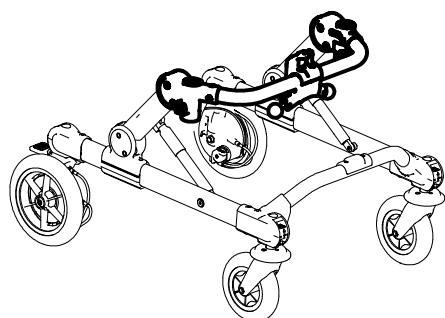
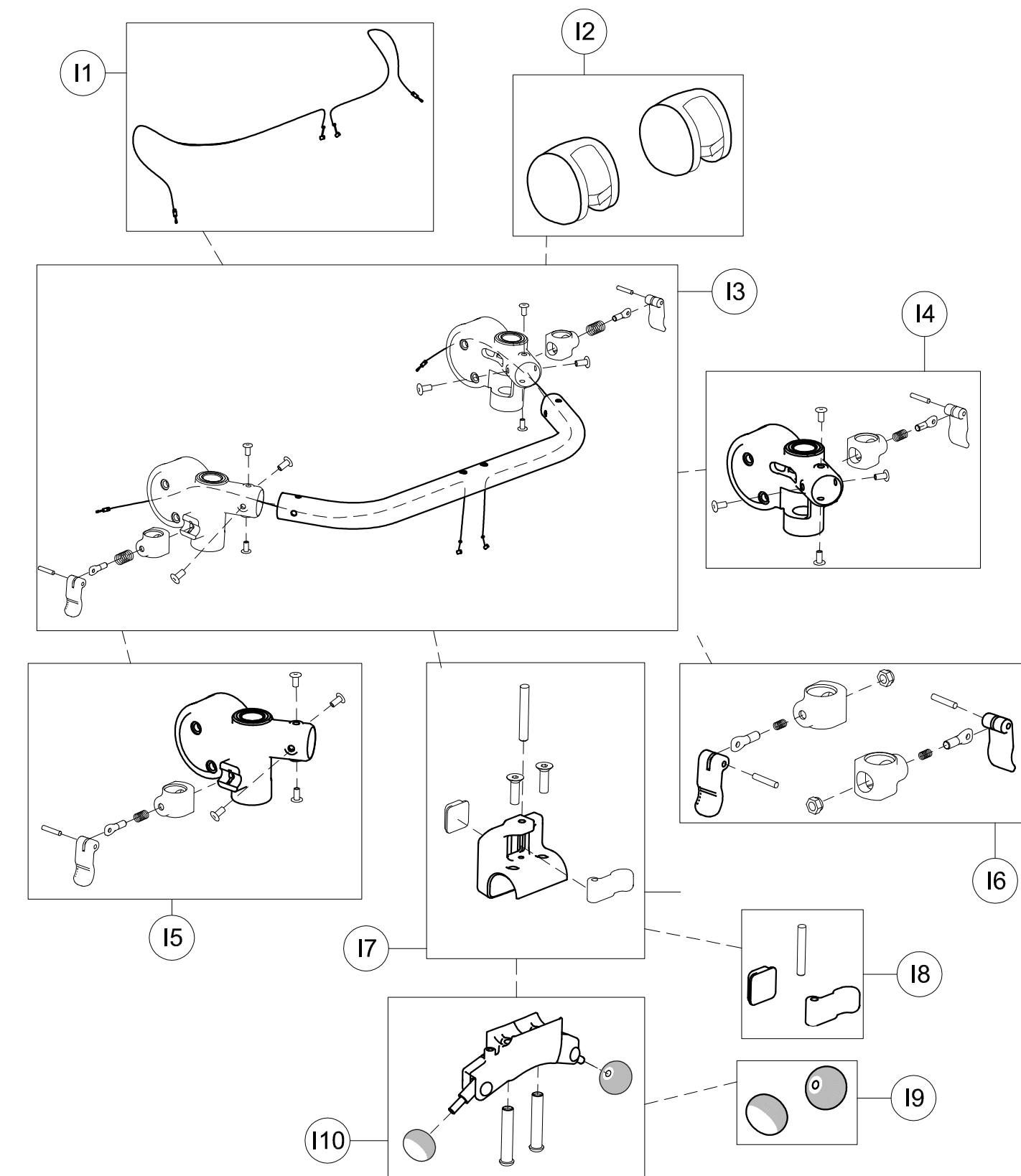
**GRILLO**

THIS DRAWING BELONGS TO ORMESA: IT IS FORBIDDEN TO REPRODUCE, CHANGE OR INFORM ANY THIRD PARTY ABOUT ITS CONTENTS



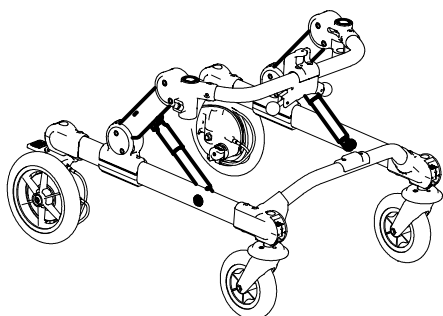
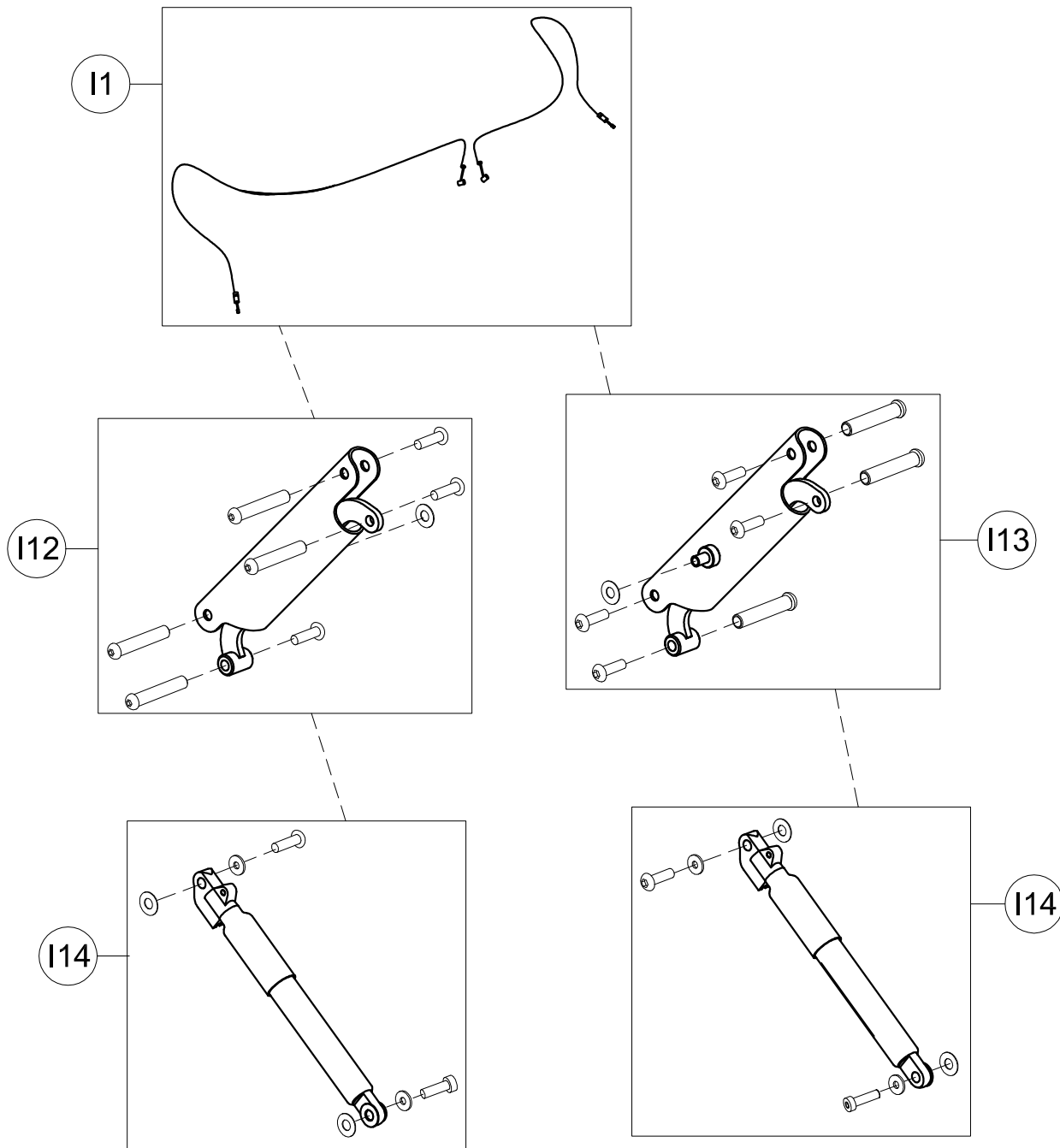
A	302843	COMPLETE TRAY
B	102964	937 HANDLES
E	103631	930 PELVIC HARNESS
F	103634	924 PELVIC SUPPORT
G	102961	890 LEG DIVIDER
I	302699	FRAME (BASE + WHEELS)
J	103581	923 PUSH.HANDLEBAR FOR CARE GIVERS
K	303475	PAIR OF REAR WHEELS
POS.	PART NR.	DESCRIPTION

### Spare Parts FRONT DRIVE GRILLO PTM mini



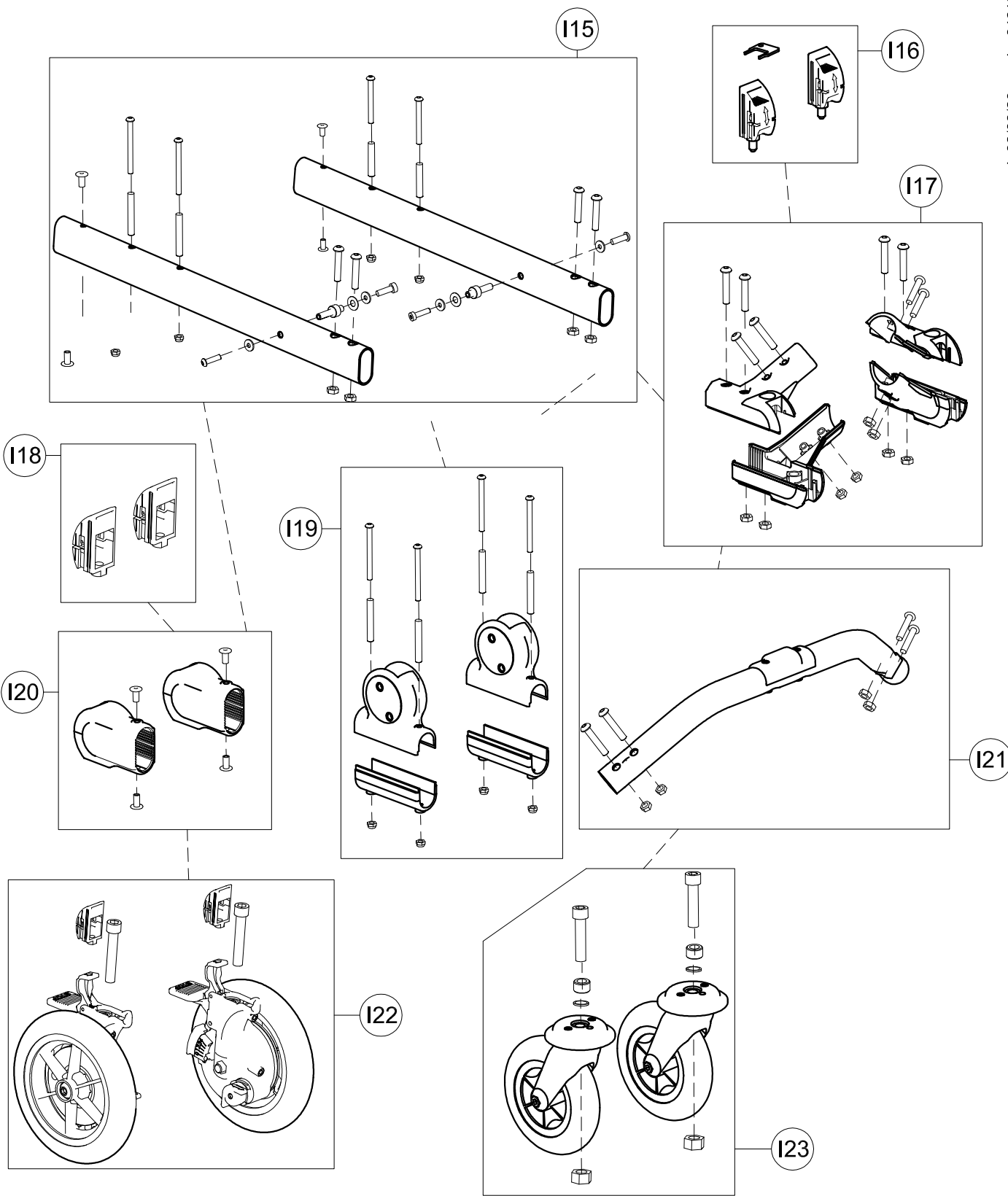
11	302701	PAIR OF HEIGHT ADJUST.CABLES
12	171486	HINGE UPHOLSTERY
13	302700	UPPER CROSSPIECE SUPPORT+SCREWS
14	303088	LEFT UPPER CROSSPIECE SUPPORT+LOCKING LEVER
15	303089	RIGHT UPPER CROSSPIECE SUPPORT+LOCKING LEVER
16	302288	SET OF LEVERS TO LOCK TRUNK SUPPORT VERTICALLY
17	302268	UPPER PELVIC BLOCK FIXING
18	301806	SET OF LEVERS TO LOCK PELVIC SUPP.VERTICALLY
19	301808	PAIR OF KNOBS FOR GAS SPRING
110	302823	OPERATING LEVER SUPPORT
POS.	PART NR.	DESCRIPTION

Spare Parts UPPER PART OF GRILLO BASE  
size mini

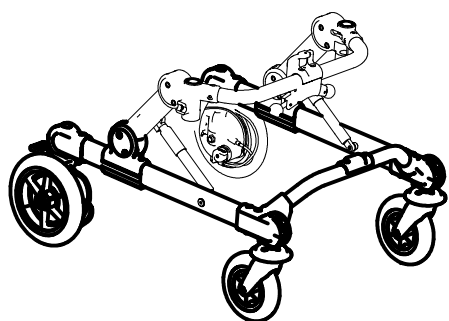


I1	302701	PAIR OF HEIGHT ADJUST.CABLES
I12	302702	COMPLETE RIGHT SIDE
I13	302703	COMPLETE LEFT SIDE
I14	302704	GAS SPRING
POS.	PART NR.	DESCRIPTION

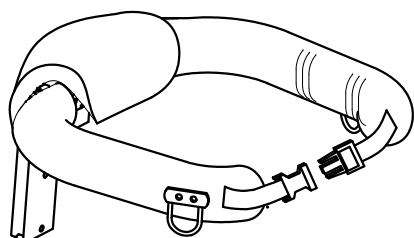
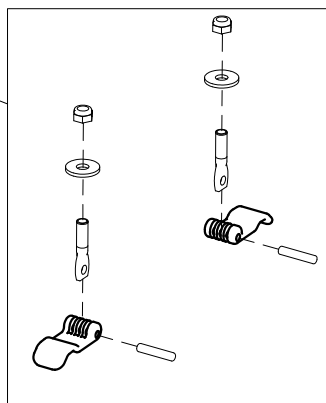
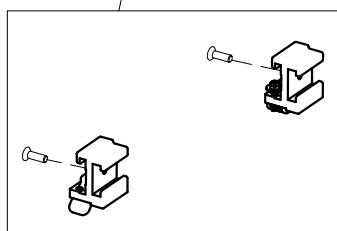
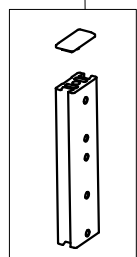
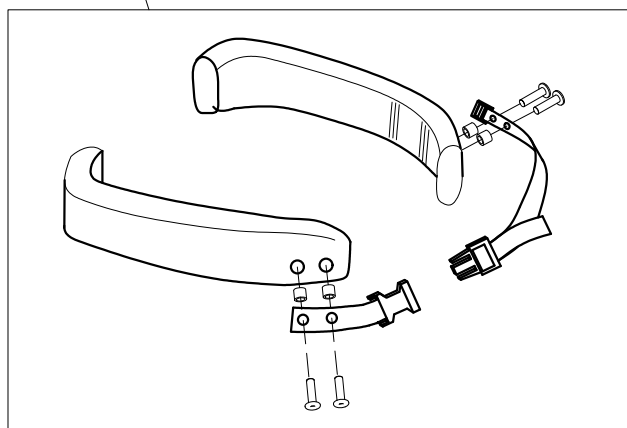
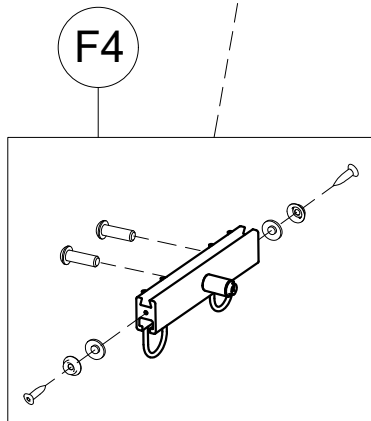
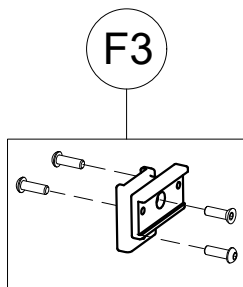
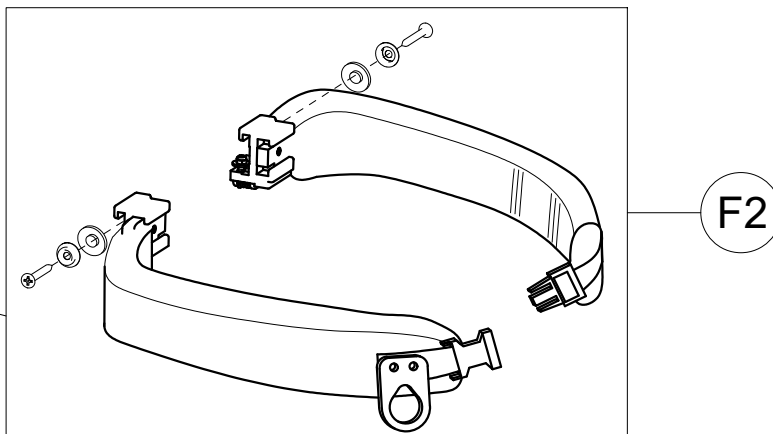
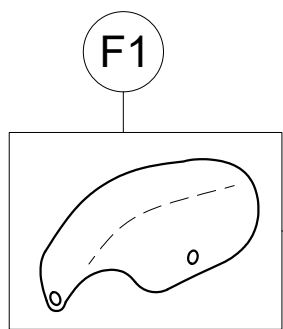
Spare Parts **CENTRAL PART OF GRILLO BASE**  
size mini



I15	303249	PAIR OF BASE SIDES
I16	302546	PAIR OF DIRECTION LOCKS
I17	303250	KIT OF LOWER CROSSPIECE SUPPORT
I18	303508	PAIR OF DIRECT.CAPS FOR WHEELS
I19	301812	PAIR OF UPPER/LOWER SUPPORTS OF SIDE
I20	303208	PAIR OF WHEEL SUPPORTS
I21	303251	LOWER CROSSPIECE+SCREWS
I22	303475	PAIR OF COMPLETE POSTERIOR WHEELS
I23	303385	PAIR OF COMPLETE FRONT WHEELS
POS.	PART NR.	DESCRIPTION



Spare Parts LOWER PART OF GRILLO BASE  
size mini



F1	160570P	CENTRAL PADDING FOR <b>GRILLO mini PT</b>
	171619	PELVIC CENTRAL UPHOLSTERY FOR <b>GRILLO mini PTM</b>
F2	303199	PAIR OF PELVIC HALF SUPPORT
F3	303226	PELVIC SUPPORT +SCREWS
F4	303098	PROFILE TO ADJUST PELVIC SUPPORT IN WIDTH + HOOKS
F5	303253	PAIR OF PELVIC PADDING + STRAPS AND RIVETS
F6	303099	PELVIC SUPPORT HEIGHT ADJUSTMENT
F7	302298	PAIR OF PROFILE TO SLIDE TRUNK SUPPORT
F8	301842	SET OF LEVERS FOR TRUNK SUPPORT WIDTH
POS.	PART NR.	DESCRIPTION

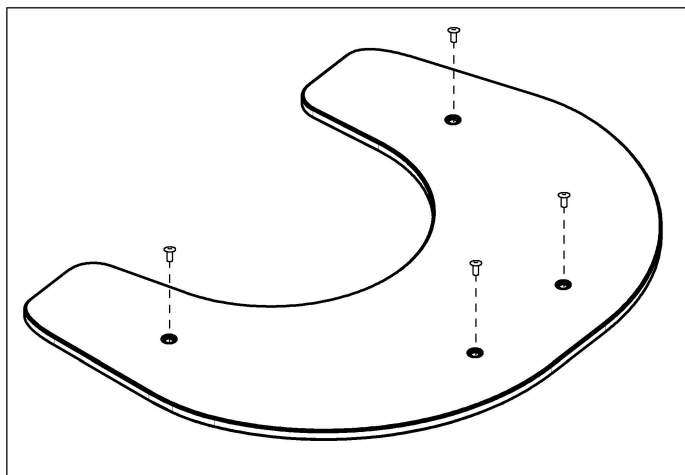
Spare Parts GRILLO PELVIC SUPPORT size mini

pag. 5

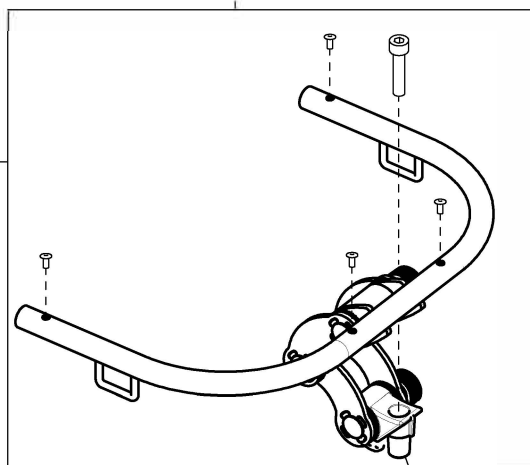
**ORMESA**

**GRILLO**

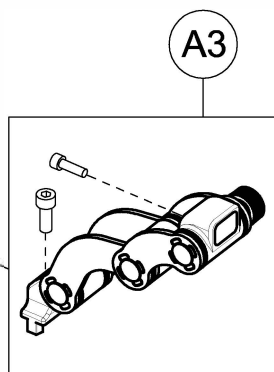
THIS DRAWING BELONGS TO ORMESA: IT IS FORBIDDEN TO REPRODUCE, CHANGE OR INFORM ANY THIRD PARTY ABOUT ITS CONTENTS



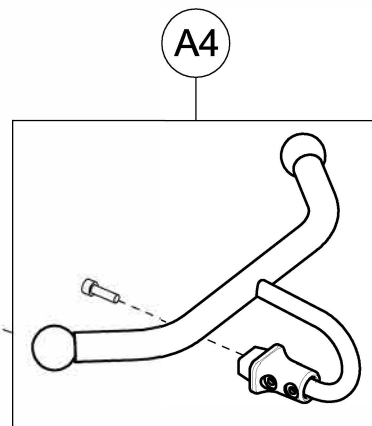
A1



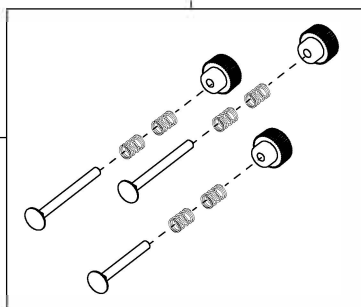
A2



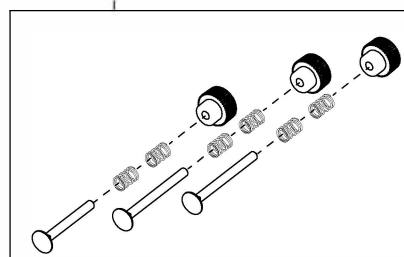
A3



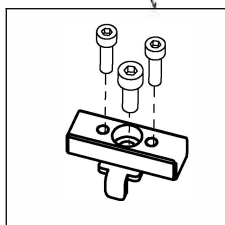
A4



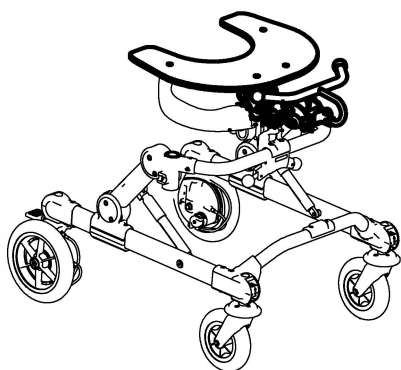
A5



A5



A6



A1	302710	TRANSPARENT TRAY+RIVETS
A2	303115	TRAY FRAME + JOINT
A3	303116	HANDLEBAR JOINT
A4	302713	HANDLEBAR + LOCKING + SCREW
A5	303117	TRIO OF KNOBS + SCREWS
A6	303195	TRAY/ACCESSORIES FIXING BLOCK + SCREWS
POS.	PART NR.	DESCRIPTION

Spare Parts

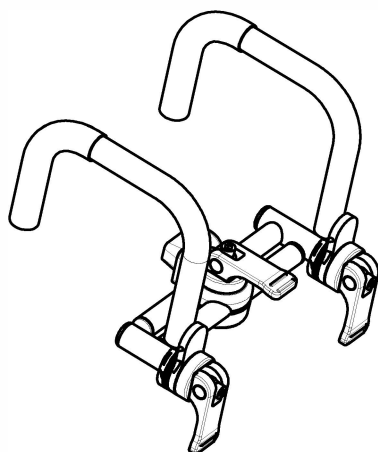
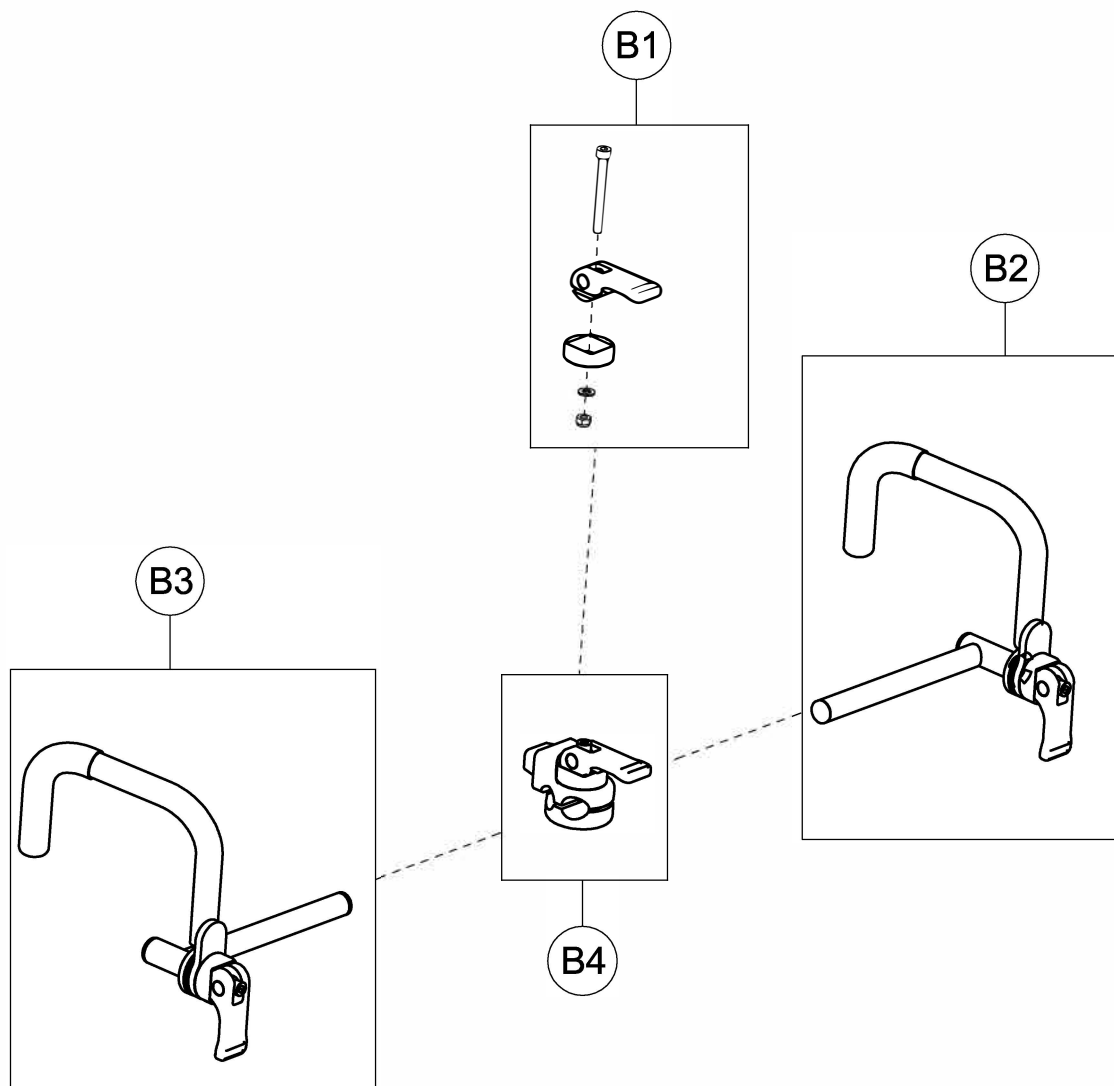
TRAY AND HANDLEBAR  
GRILLO size mini

pag.6

**ORMESA®**

**GRILLO**

THIS DRAWING BELONGS TO ORMESA: IT IS FORBIDDEN TO REPRODUCE, CHANGE OR INFORM ANY THIRD PARTY ABOUT ITS CONTENTS



B1	302718	HANDLE CENTRAL LEVER
B2	302716	LEFT HANDLE + LEVER
B3	302717	RIGHT HANDLE + LEVER
B4	302719	LOCKING+HANDLE CENTRAL LEVER
POS.	PART NR.	DESCRIPTION

Spare Parts

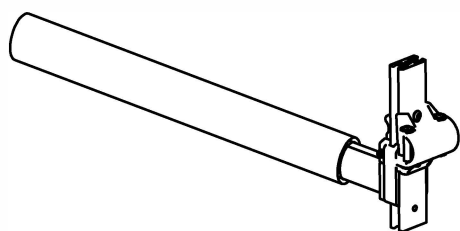
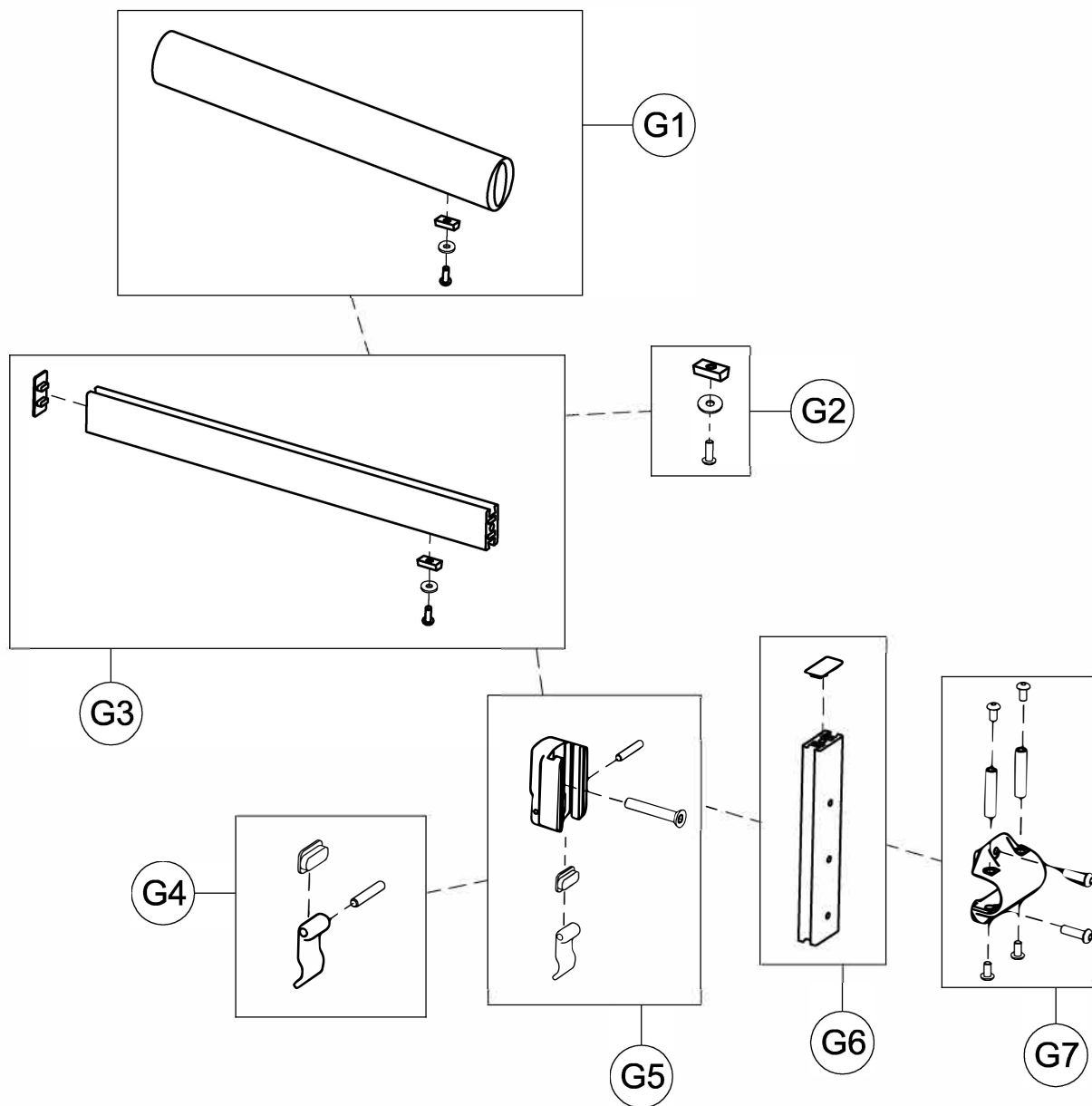
MULTI-ADJUSTABLE HANDLES  
GRILLO size mini

pag.7

**ORMESA®**

**GRILLO**

THIS DRAWING BELONGS TO ORMESA: IT IS FORBIDDEN TO REPRODUCE, CHANGE OR INFORM ANY THIRD PARTY ABOUT ITS CONTENTS

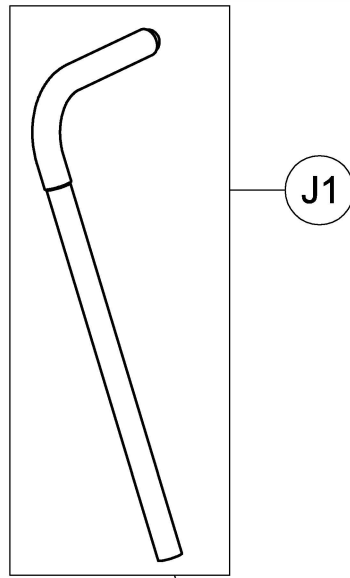
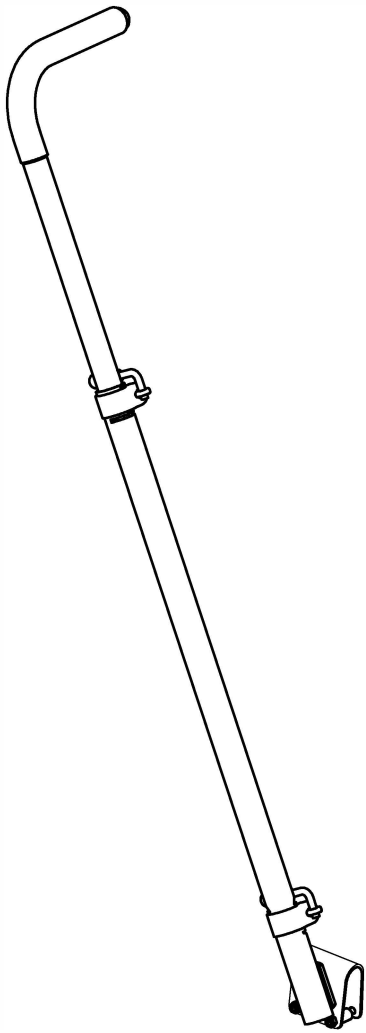


G1	303112	890 HORIZONTAL BAR UPHOLSTERY + SCREW
G2	302721	SET OF SCREWS FOR PADDED LOCK
G3	302720	HORIZONTAL BAR +CAP+ SCREWS
G4	301866	SET OF HEIGHT ADJUST. LEVER
G5	301862	890 FIXING BAR + LEVER AND SCREWS
G6	301863	890 VERTICAL BAR + CAP
G7	301865	FIXING LOCK 890 + SCREWS
POS.	PART NR.	DESCRIPTION

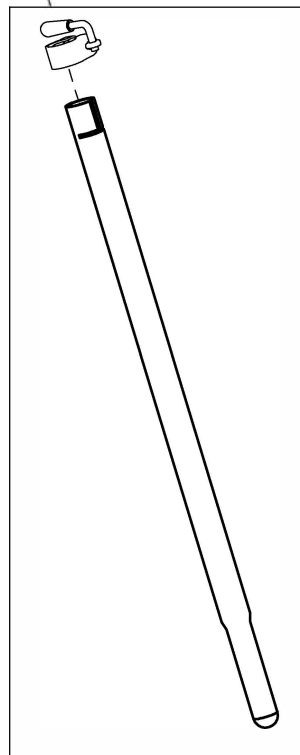
Spare Parts LEG DIVIDER GRILLO size mini

**ORMESA®**

**GRILLO**

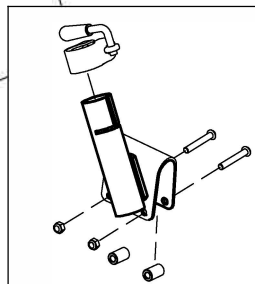


J1



J4

J2



J4

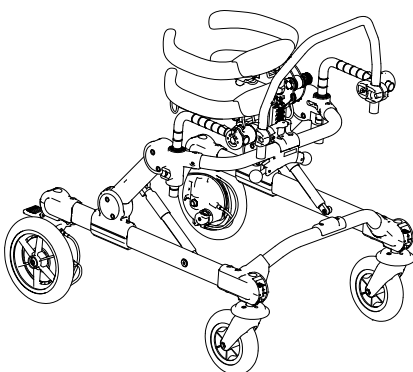
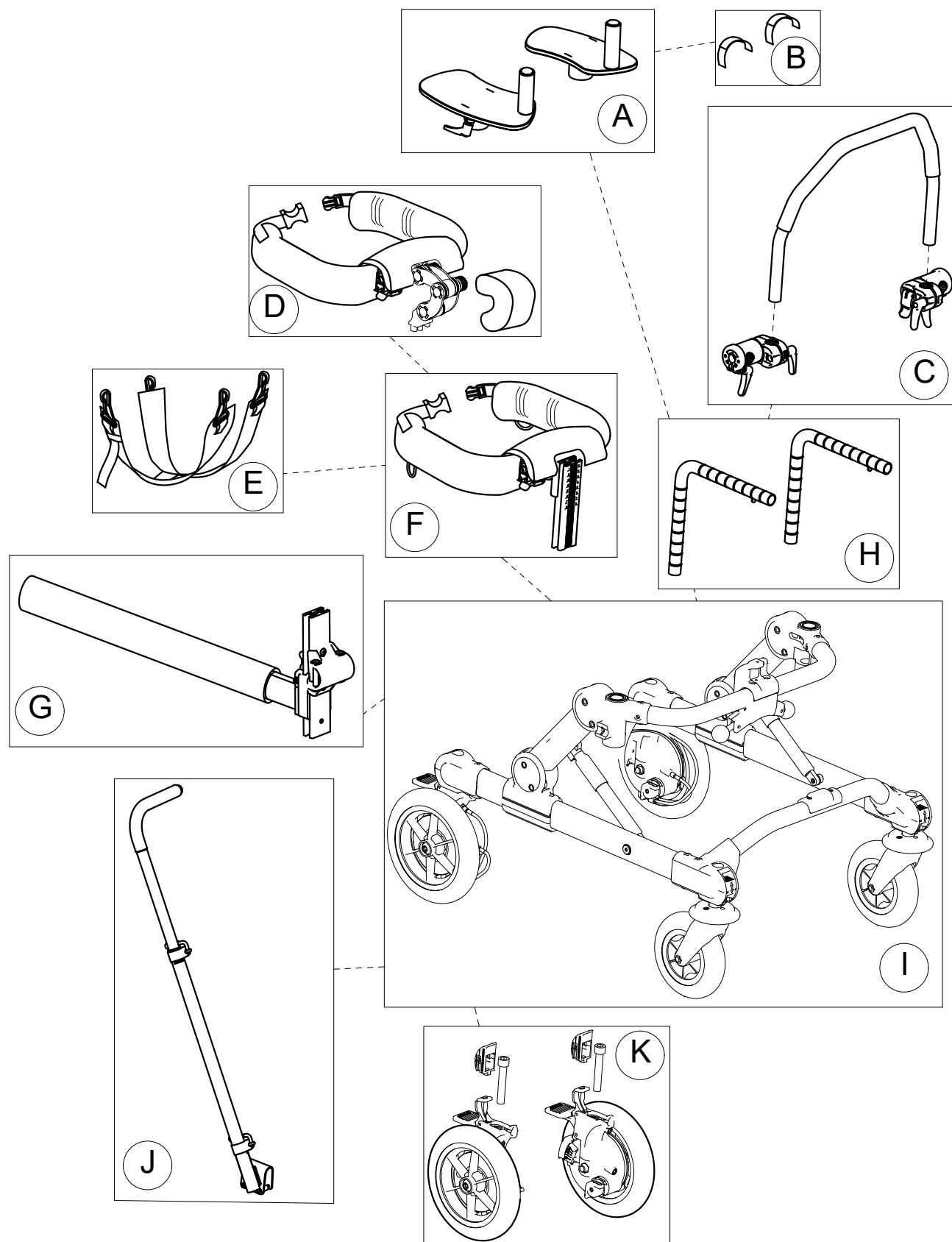
J3

J1	303113	PUSHING HANDLEBAR WITH GRIP
J2	303114	BAR FOR HANDLEBAR
J3	302443	HANDLEBAR FIXING PART
J4	21085	LOCKING
POS.	PART NR.	DESCRIPTION

Spare Parts PUSHING HANDLEBAR for CARE GIVERS

**ORMESA®**

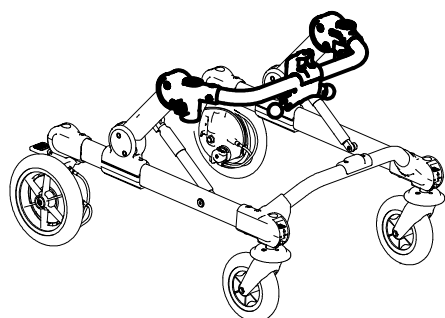
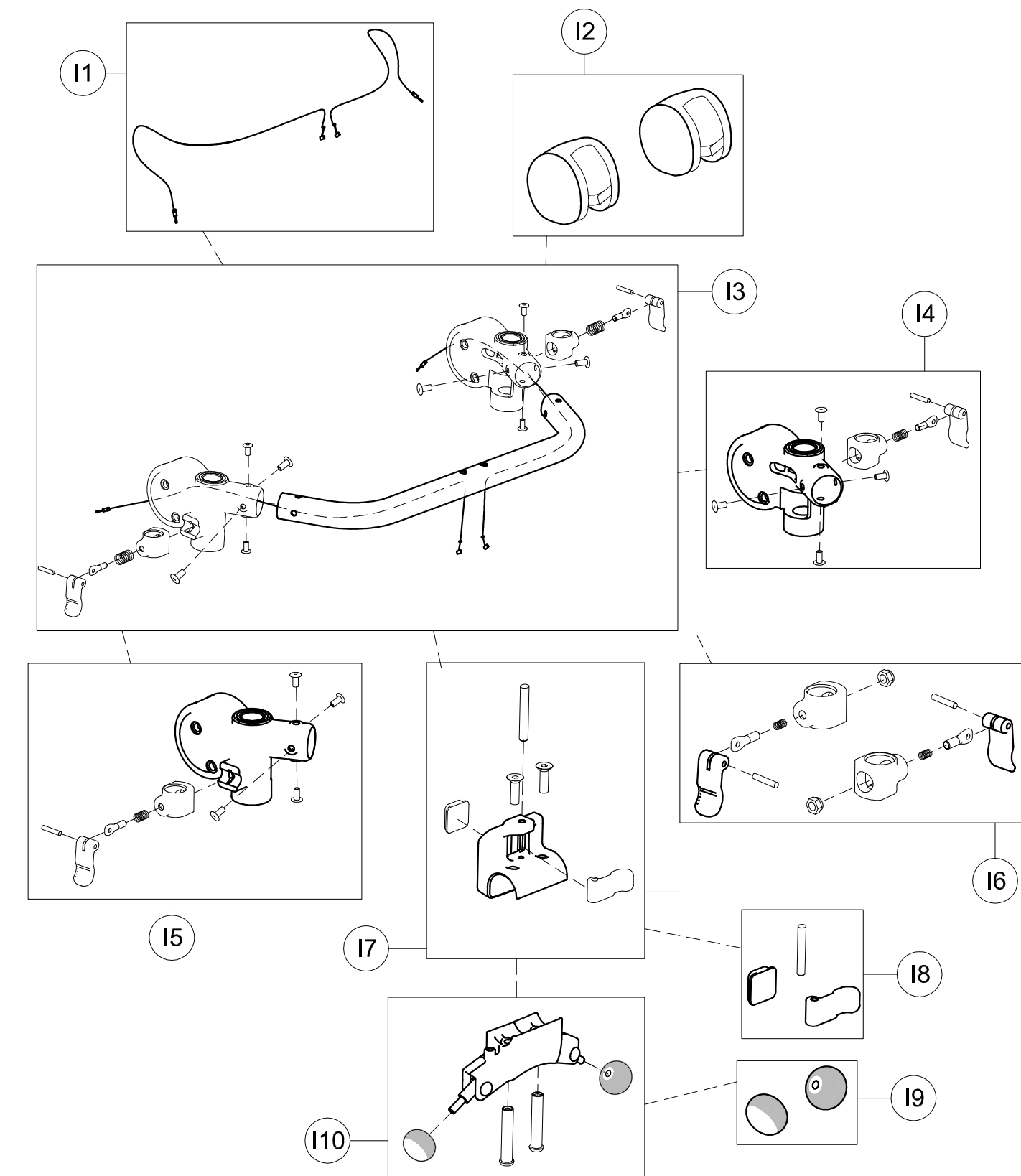
**GRILLO**



A	103617	809 ARM SUPPORTS
B	103629	943 ARM STRAPS
C	103622	926 MINI HANDLEBAR+SUPPORTS
D	103638	925 TRUNK SUPPORT
E	103631	930 PELVIC HARNESS
F	103634	924 PELVIC SUPPORT
G	102961	890-SC LEG DIVIDER
H	302842	CURVED BARS
I	302699	FRONT FRAME (BASE + WHEELS)
J	103581	923 PUSH.HANDLEBAR FOR CARE GIVERS
K	303475	PAIR OF THE REAR WHEELS

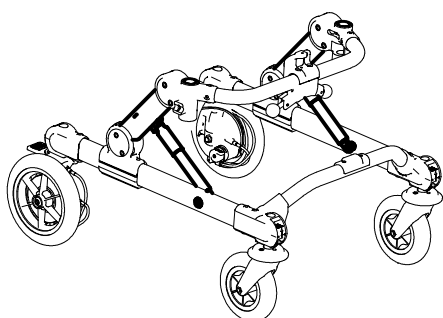
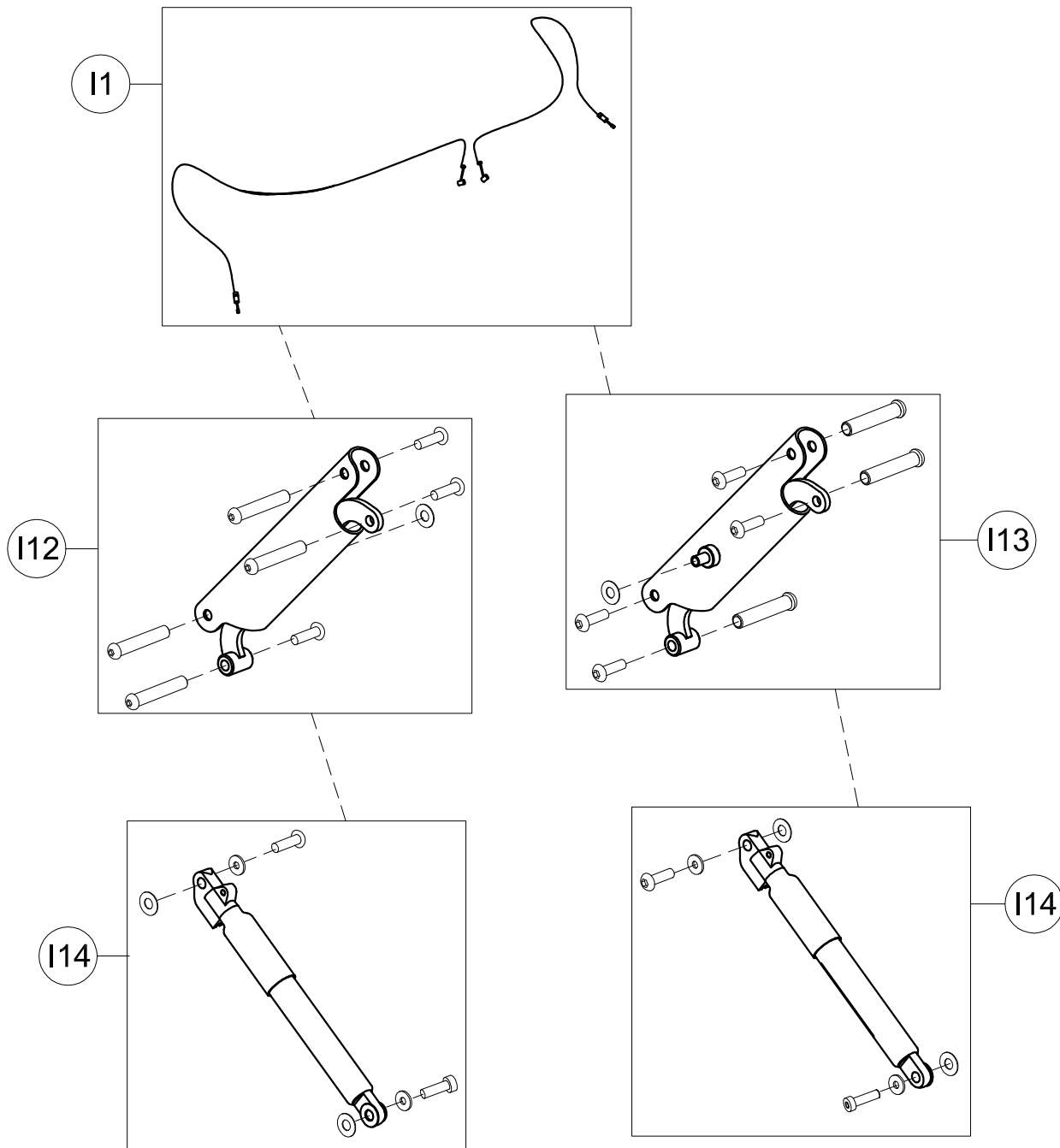
POS. PART NR. DESCRIPTION

### Spare Parts FRONT DRIVE GRILLO mini



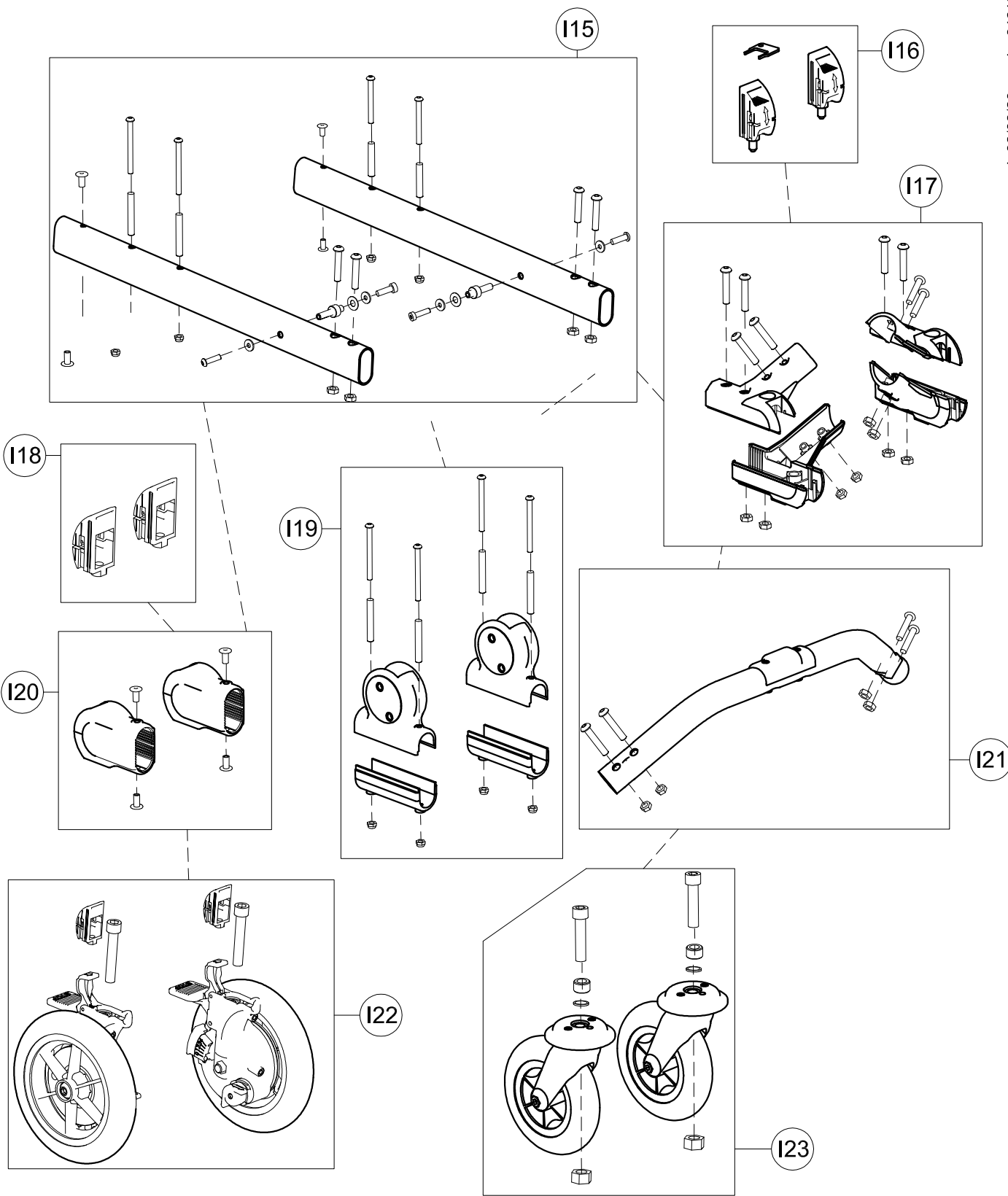
11	302701	PAIR OF HEIGHT ADJUST.CABLES
12	171486	HINGE UPHOLSTERY
13	302700	UPPER CROSSPIECE SUPPORT+SCREWS
14	303088	LEFT UPPER CROSSPIECE SUPPORT+LOCKING LEVER
15	303089	RIGHT UPPER CROSSPIECE SUPPORT+LOCKING LEVER
16	302288	SET OF LEVERS TO LOCK TRUNK SUPPORT VERTICALLY
17	302268	UPPER PELVIC BLOCK FIXING
18	301806	SET OF LEVERS TO LOCK PELVIC SUPP.VERTICALLY
19	301808	PAIR OF KNOBS FOR GAS SPRING
110	302823	OPERATING LEVER SUPPORT
POS.	PART NR.	DESCRIPTION

Spare Parts UPPER PART OF GRILLO BASE  
size mini

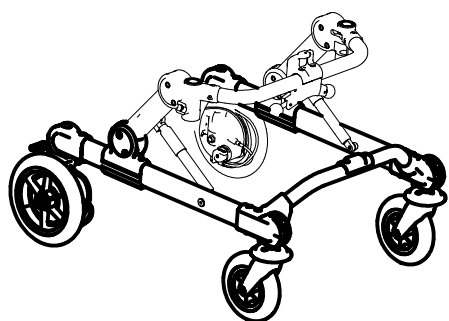


I1	302701	PAIR OF HEIGHT ADJUST.CABLES
I12	302702	COMPLETE RIGHT SIDE
I13	302703	COMPLETE LEFT SIDE
I14	302704	GAS SPRING
POS.	PART NR.	DESCRIPTION

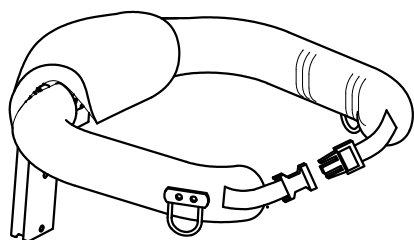
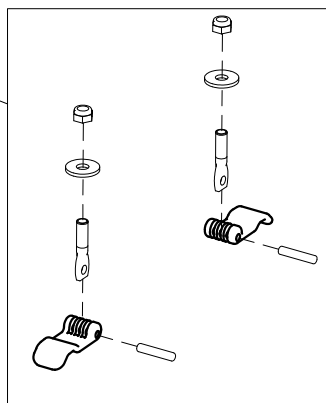
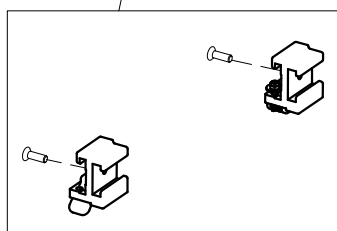
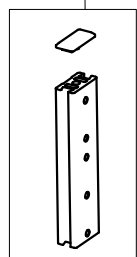
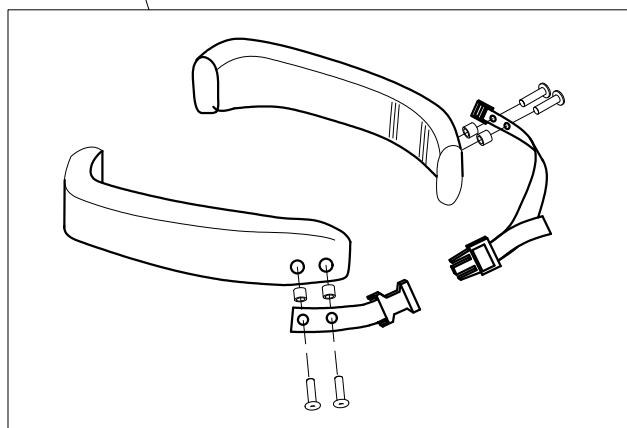
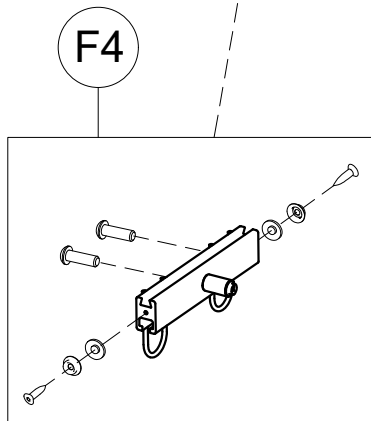
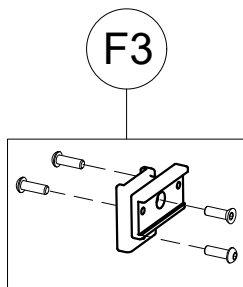
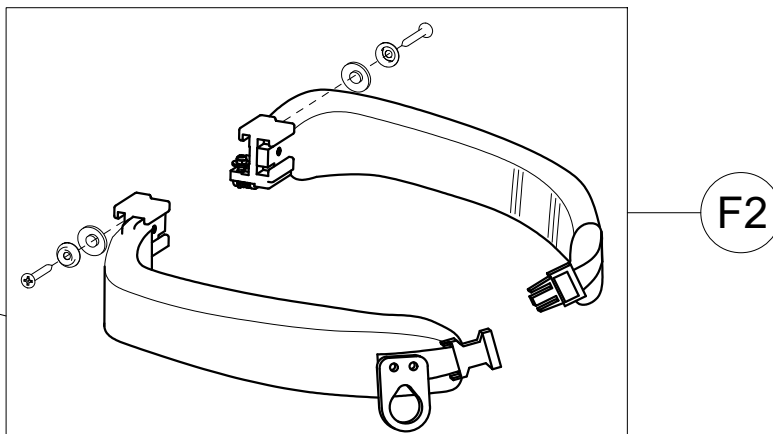
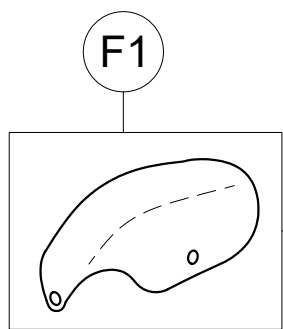
Spare Parts **CENTRAL PART OF GRILLO BASE**  
size mini



I15	303249	PAIR OF BASE SIDES
I16	302546	PAIR OF DIRECTION LOCKS
I17	303250	KIT OF LOWER CROSSPIECE SUPPORT
I18	303508	PAIR OF DIRECT.CAPS FOR WHEELS
I19	301812	PAIR OF UPPER/LOWER SUPPORTS OF SIDE
I20	303208	PAIR OF WHEEL SUPPORTS
I21	303251	LOWER CROSSPIECE+SCREWS
I22	303475	PAIR OF COMPLETE POSTERIOR WHEELS
I23	303385	PAIR OF COMPLETE FRONT WHEELS
POS.	PART NR.	DESCRIPTION



Spare Parts LOWER PART OF GRILLO BASE  
size mini



F1	160570P	CENTRAL PADDING FOR <b>GRILLO mini PT</b>
	171619	PELVIC CENTRAL UPHOLSTERY FOR <b>GRILLO mini PTM</b>
F2	303199	PAIR OF PELVIC HALF SUPPORT
F3	303226	PELVIC SUPPORT +SCREWS
F4	303098	PROFILE TO ADJUST PELVIC SUPPORT IN WIDTH + HOOKS
F5	303253	PAIR OF PELVIC PADDING + STRAPS AND RIVETS
F6	303099	PELVIC SUPPORT HEIGHT ADJUSTMENT
F7	302298	PAIR OF PROFILE TO SLIDE TRUNK SUPPORT
F8	301842	SET OF LEVERS FOR TRUNK SUPPORT WIDTH
POS.	PART NR.	DESCRIPTION

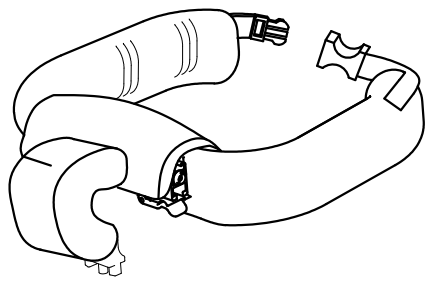
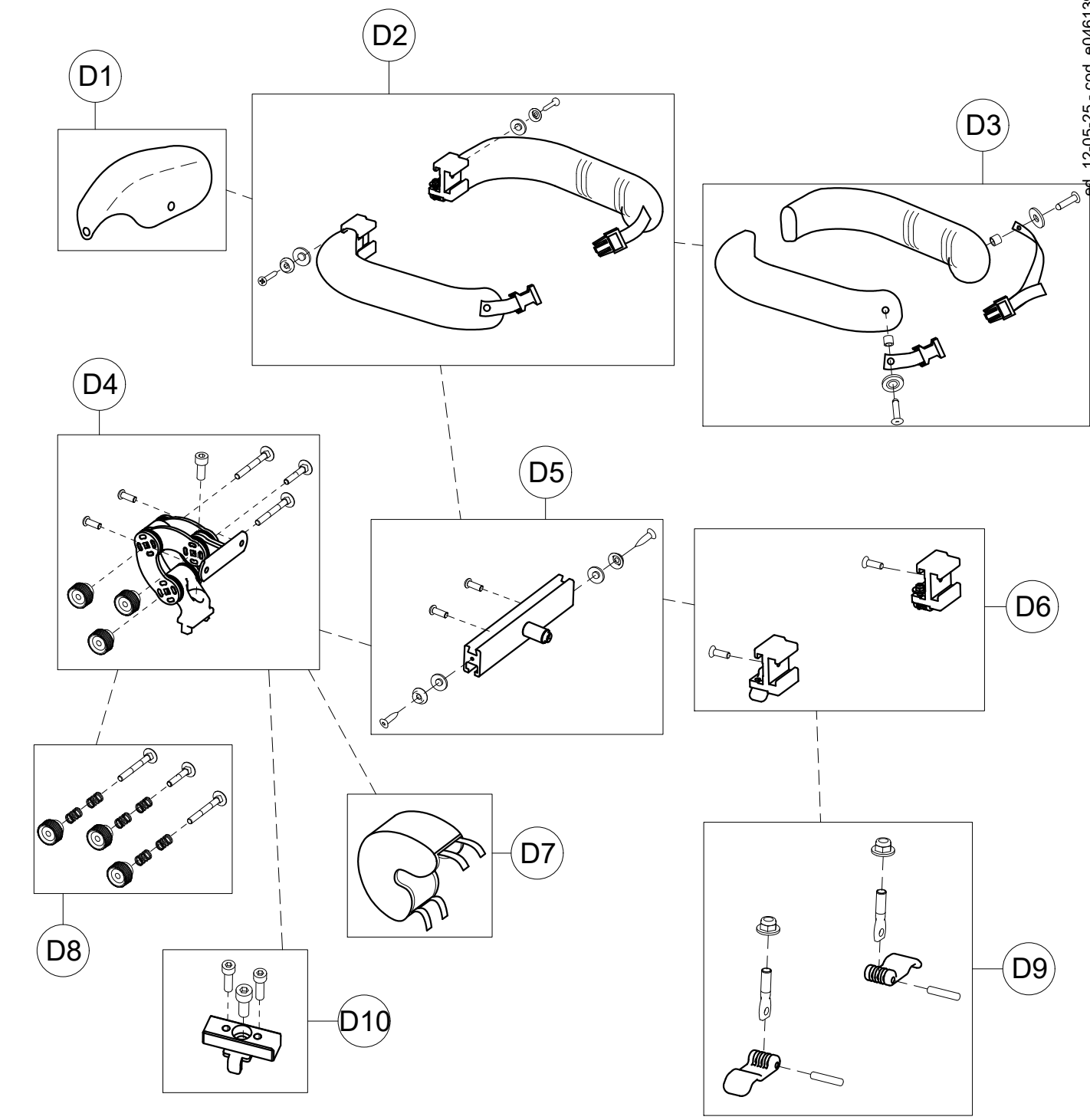
Spare Parts GRILLO PELVIC SUPPORT size mini

pag. 5

**ORMESA**

**GRILLO**

THIS DRAWING BELONGS TO ORMESA: IT IS FORBIDDEN TO REPRODUCE, CHANGE OR INFORM ANY THIRD PARTY ABOUT ITS CONTENTS



D1	160570P	CENTRAL PADDING
D2	303200	PAIR OF TRUNK HALF SUPPORT
D3	303254	PAIR OF TRUNK PADDING + STRAPS AND RIVETS
D4	303102	TRUNK ADJUSTMENT JOINT
D5	303103	PROFILE TO ADJUST TRUNK SUPPORT IN WIDTH
D6	302298	PAIR OF PROFILE TO SLIDE TRUNK SUPPORT
D7	171584	ADJUSTMENT JOINT UPHOLSTERY
D8	303104	KNOB KIT+ SCREWS
D9	301842	SET OF LEVERS FOR TRUNK SUPPORT WIDTH
D10	303195	TRAY/ACCESSORIES FIXING BLOCK + SCREWS

POS. PART NR. DESCRIPTION

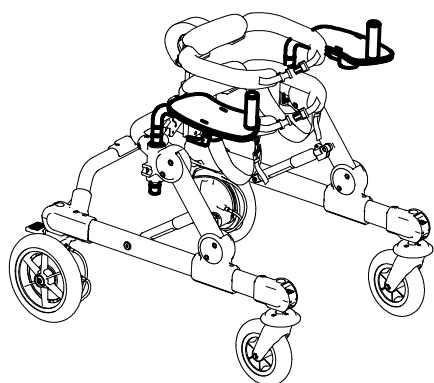
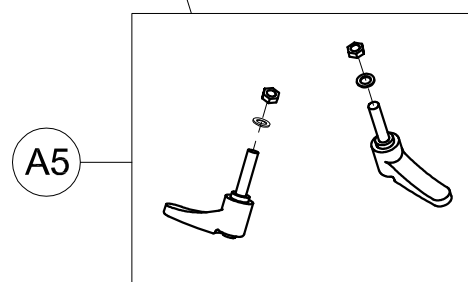
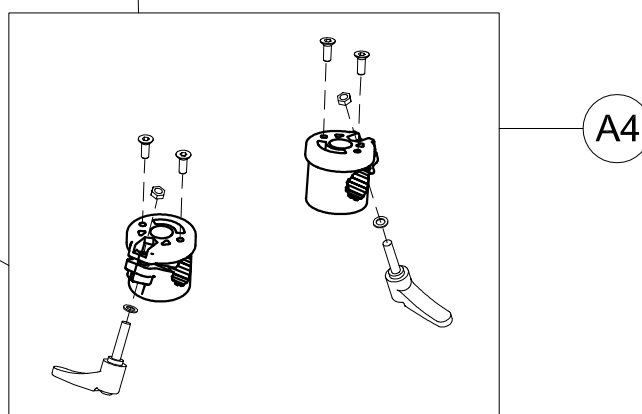
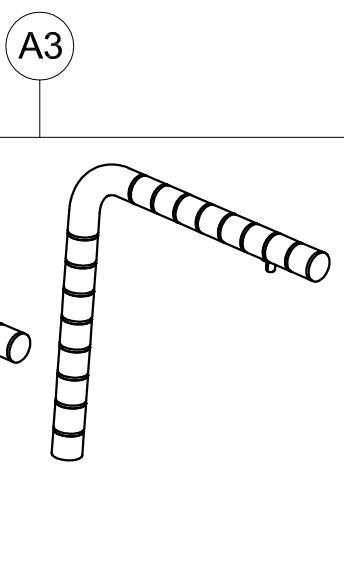
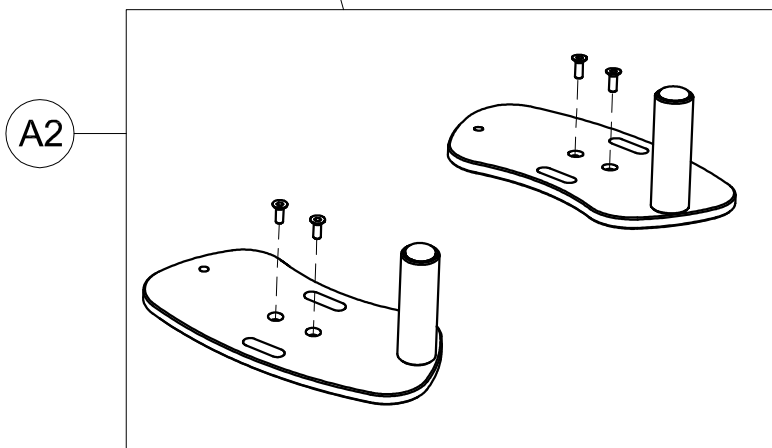
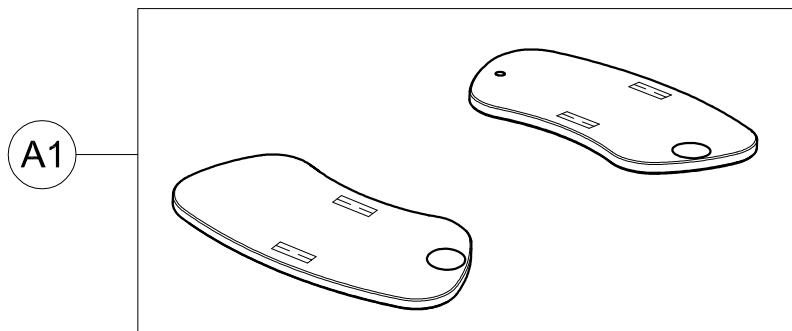
Spare Parts GRILLO TRUNK SUPPORT size mini

pag. 6

**ORMESA**

**GRILLO**

THIS DRAWING BELONGS TO ORMESA: IT IS FORBIDDEN TO REPRODUCE, CHANGE OR INFORM ANY THIRD PARTY ABOUT ITS CONTENTS



A1	171585	ARM SUPPORT UPHOLSTERY
A2	303110	PAIR OF 809 TABLETS WITHOUT UPHOLSTERY
A3	302842	CURVED BARS
A4	303111	PAIR OF 809 SUPPORTS
A5	303108	PAIR OF M6X25 LEVERS +NUTS
POS.	PART NR.	DESCRIPTION

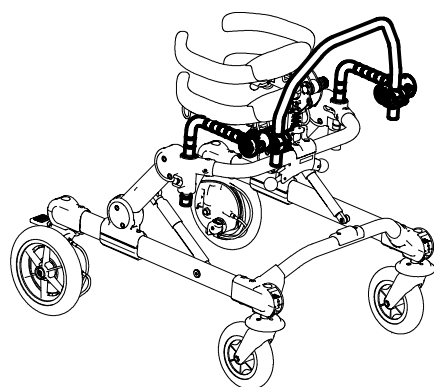
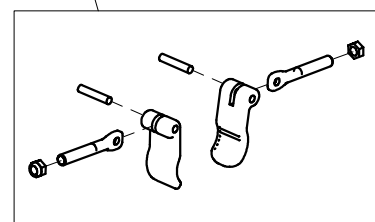
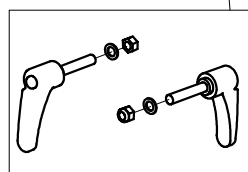
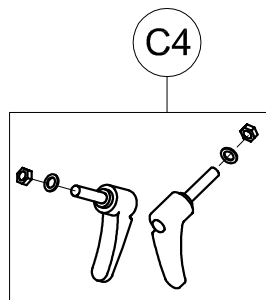
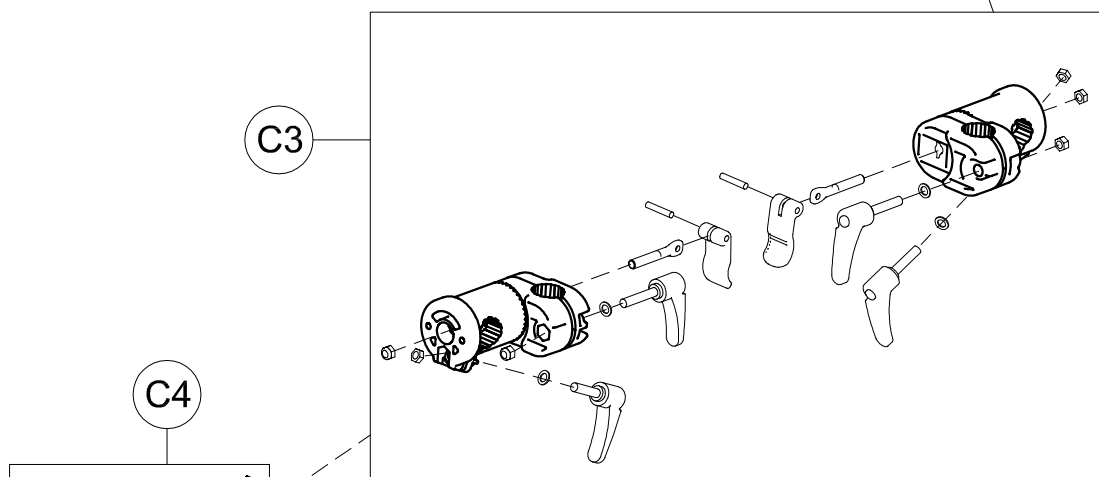
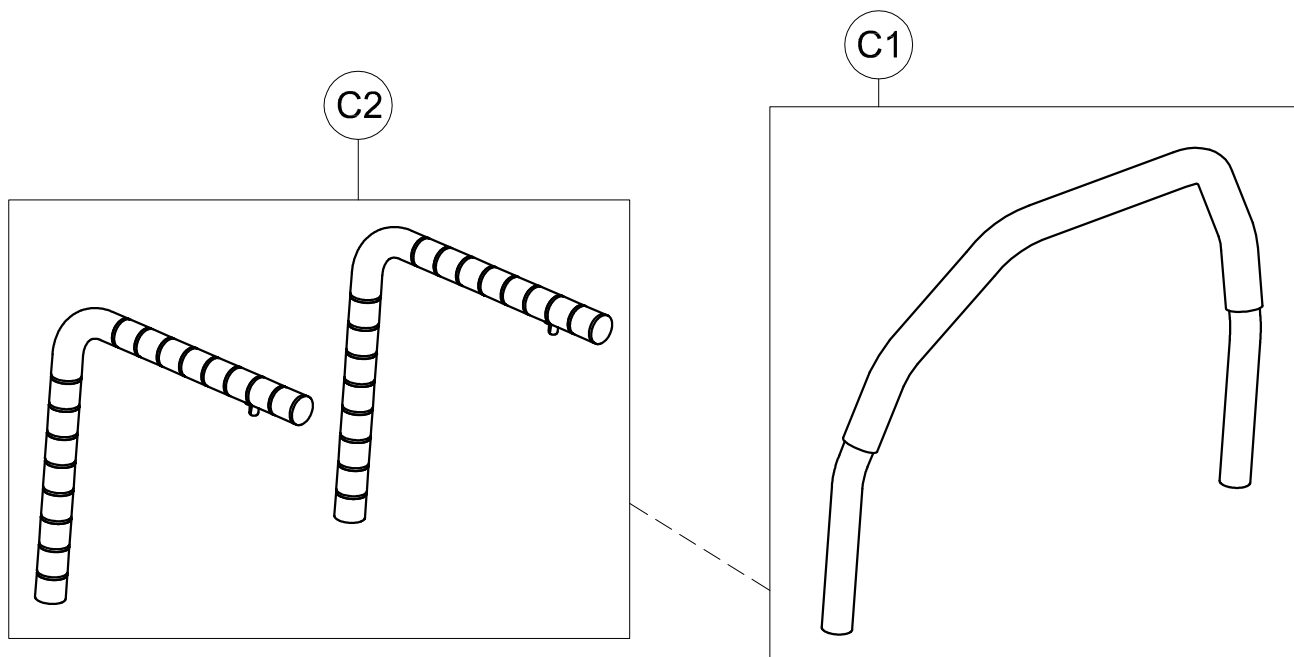
Spare Parts ARM SUPPORTS size mini

pag. 7

**ORMESA®**

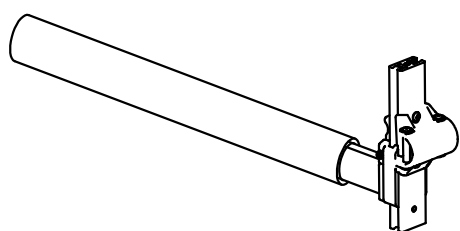
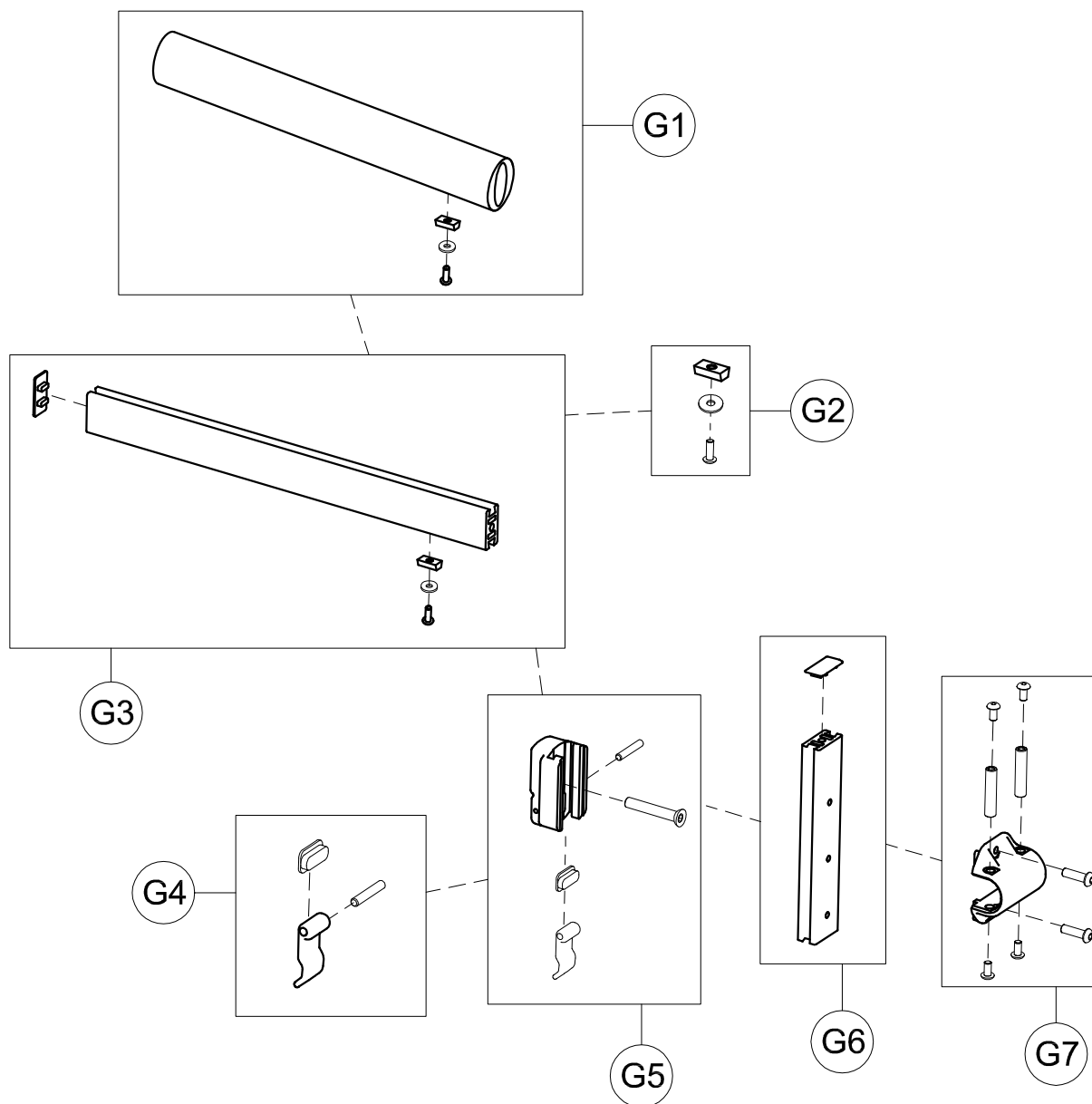
**GRILLO**

THIS DRAWING BELONGS TO ORMESA: IT IS FORBIDDEN TO REPRODUCE, CHANGE OR INFORM ANY THIRD PARTY ABOUT ITS CONTENTS



C1	303106	HANDLEBAR FOR FRONT DRIVE GRILLO MINI
C2	302842	CURVED BARS
C3	303107	RGT-LEFT SUPPORTS OF HANDLEBAR
C4	303108	PAIR OF M6X25 HANDLES +NUTS
C5	301800	PAIR OF M6X30 HANDLES +NUTS
C6	303109	SET OF LEVERS TO LOCK THE HANDLEBAR
POS.	PART NR.	DESCRIPTION

Spare Parts HANDLEBAR WITH SUPPORTS size mini

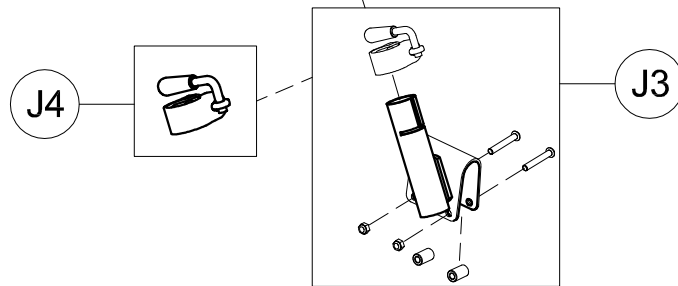
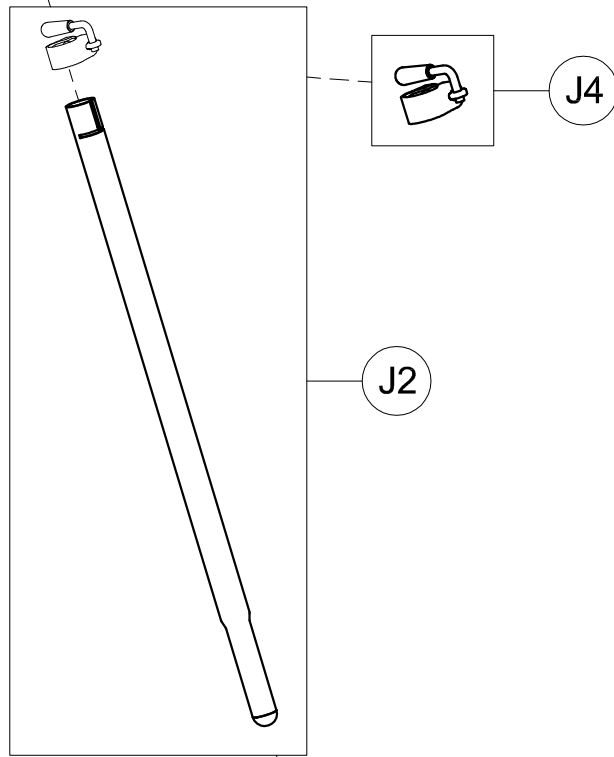
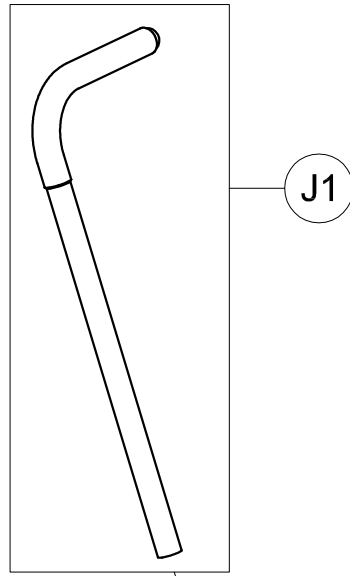
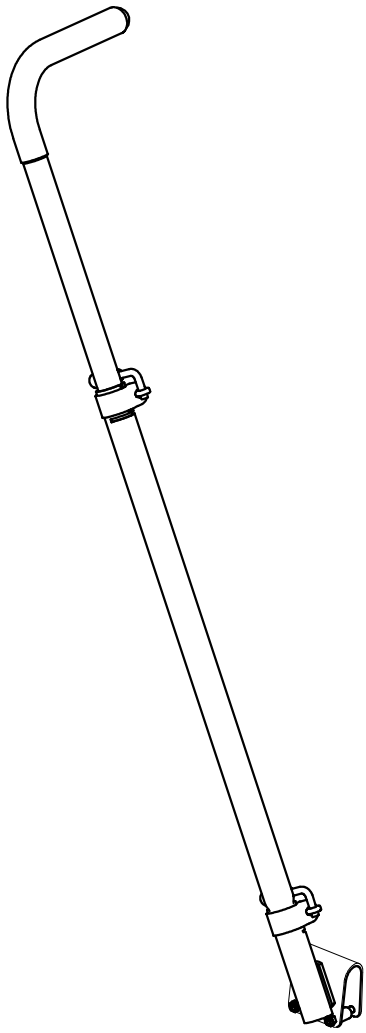


G1	303112	890 HORIZONTAL BAR UPHOLSTERY + SCREW
G2	302721	SET OF SCREWS FOR PADDED LOCK
G3	302720	HORIZONTAL BAR +CAP+ SCREWS
G4	301866	SET OF HEIGHT ADJUST. LEVER
G5	301862	890 FIXING BAR + LEVER AND SCREWS
G6	301863	890 VERTICAL BAR + CAP
G7	301865	FIXING LOCK 890 + SCREWS
POS.	PART NR.	DESCRIPTION

### Spare Parts LEG DIVIDER GRILLO size mini

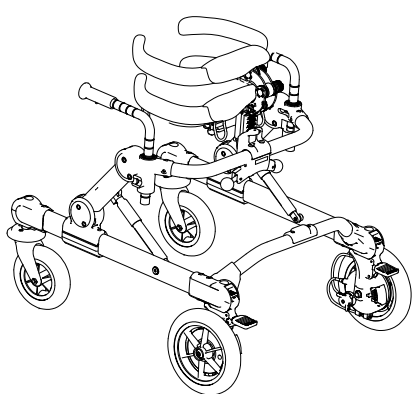
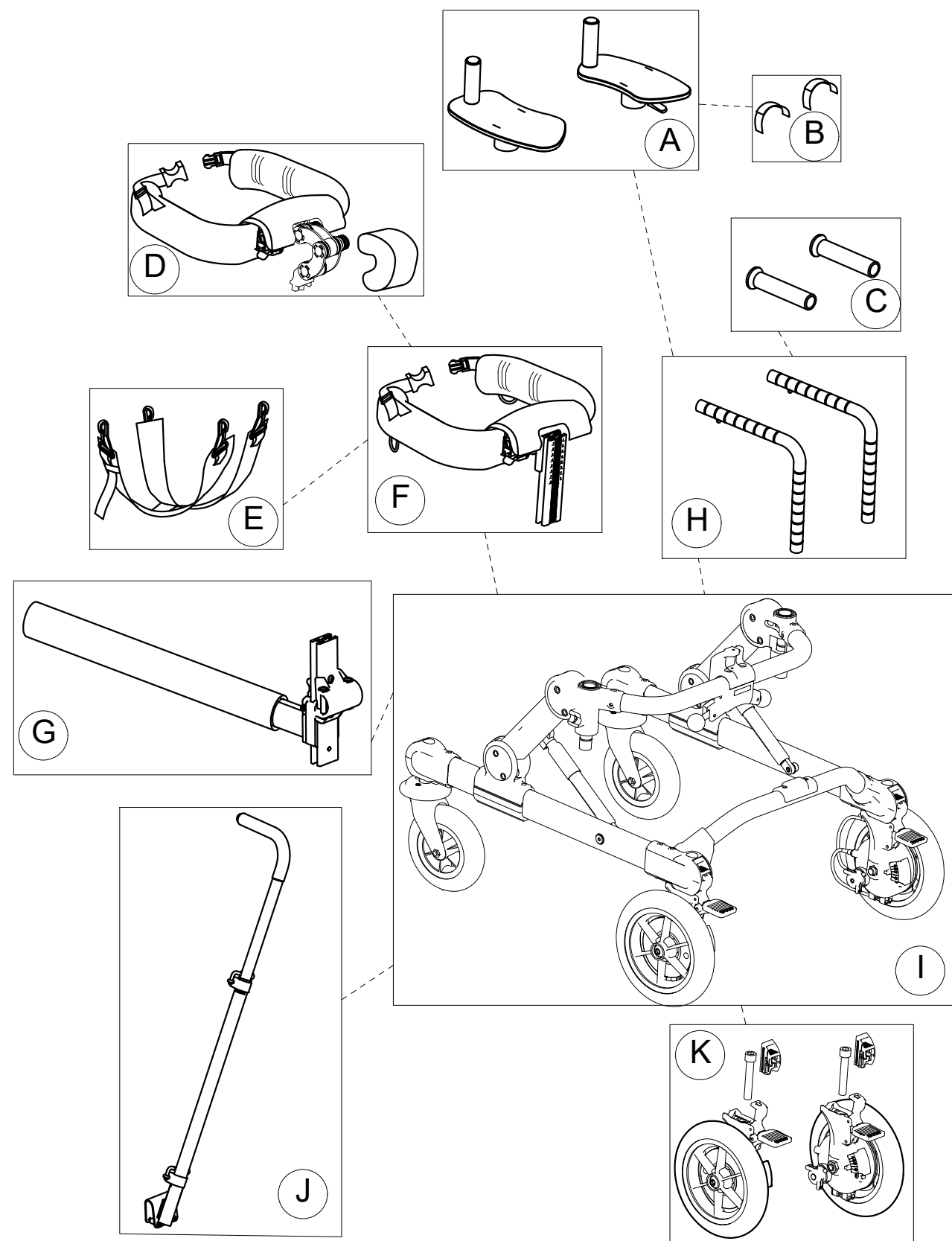
**ORMESA®**

**GRILLO**



J1	303113	PUSHING HANDLEBAR WITH GRIP
J2	303114	BAR FOR HANDLEBAR
J3	302443	HANDLEBAR FIXING PART
J4	21085	LOCKING
POS.	PART NR.	DESCRIPTION

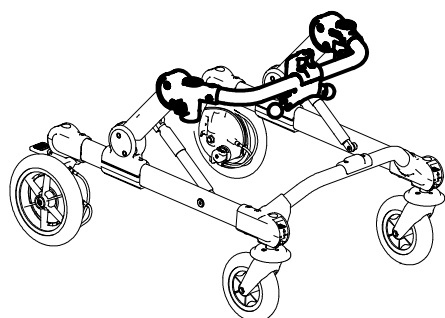
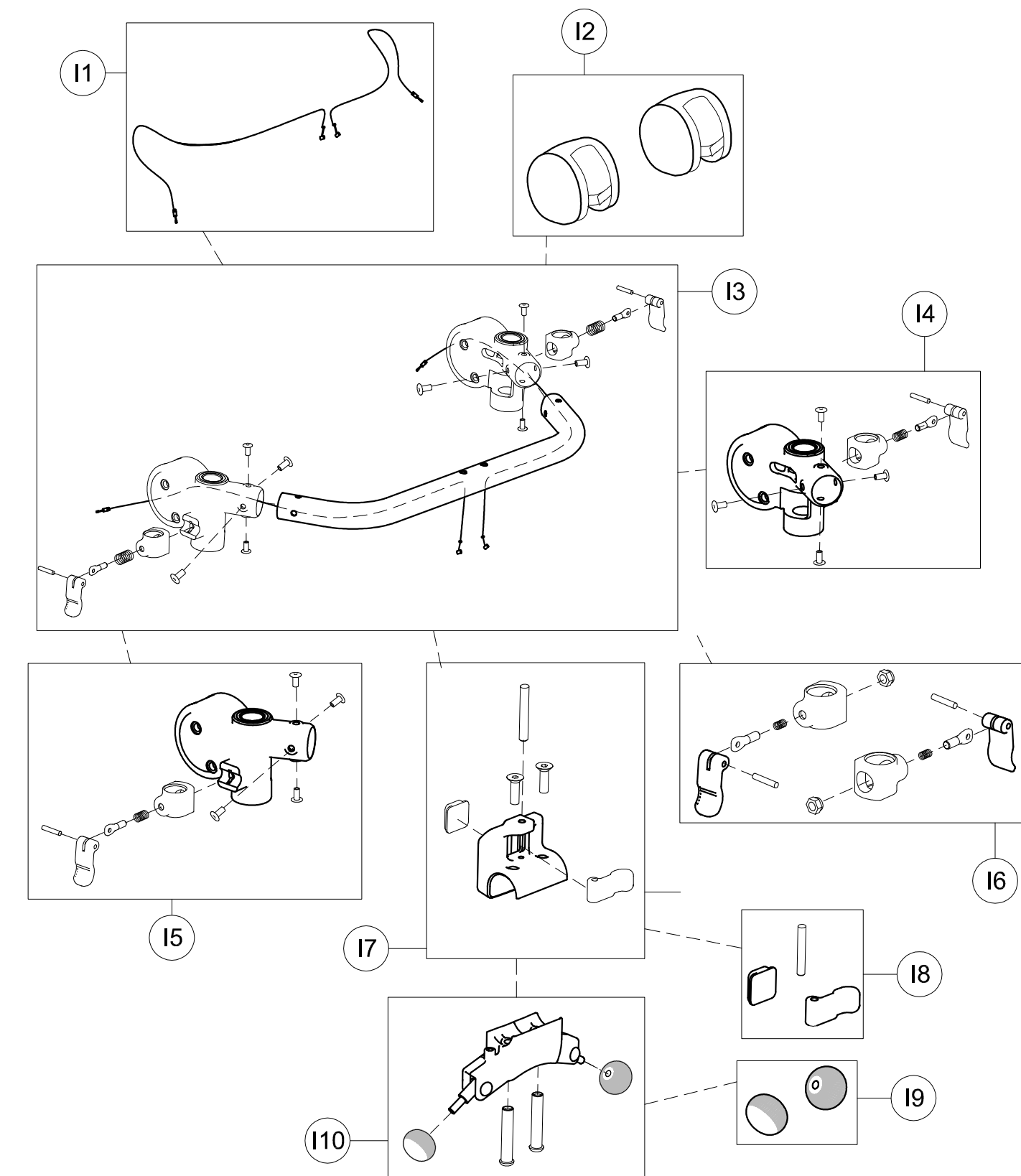
Spare Parts PUSHING HANDLEBAR for CARE GIVERS



A	103617	809 ARM SUPPORTS
B	103629	943 ARM STRAPS
C	103618	927 REMOVABLE .GRIP HANDLES
D	103638	925 TRUNK SUPPORT
E	103631	930 PELVIC HARNESS
F	103634	924 PELVIC SUPPORT
G	102961	890-SC LEG DIVIDER
H	302842	CURVED BARS
I	303118	POSTERIOR FRAME (BASE + WHEELS)
J	103581	923 PUSH.HANDLEBAR FOR CARE GIVERS
K	303475	PAIR OF THE REAR WHEELS
POS.	PART NR.	DESCRIPTION

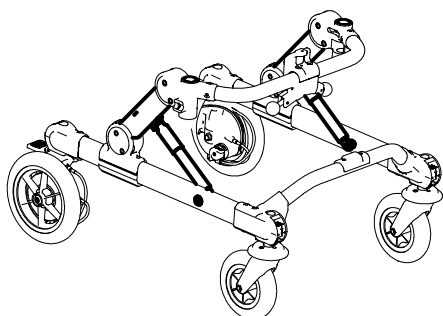
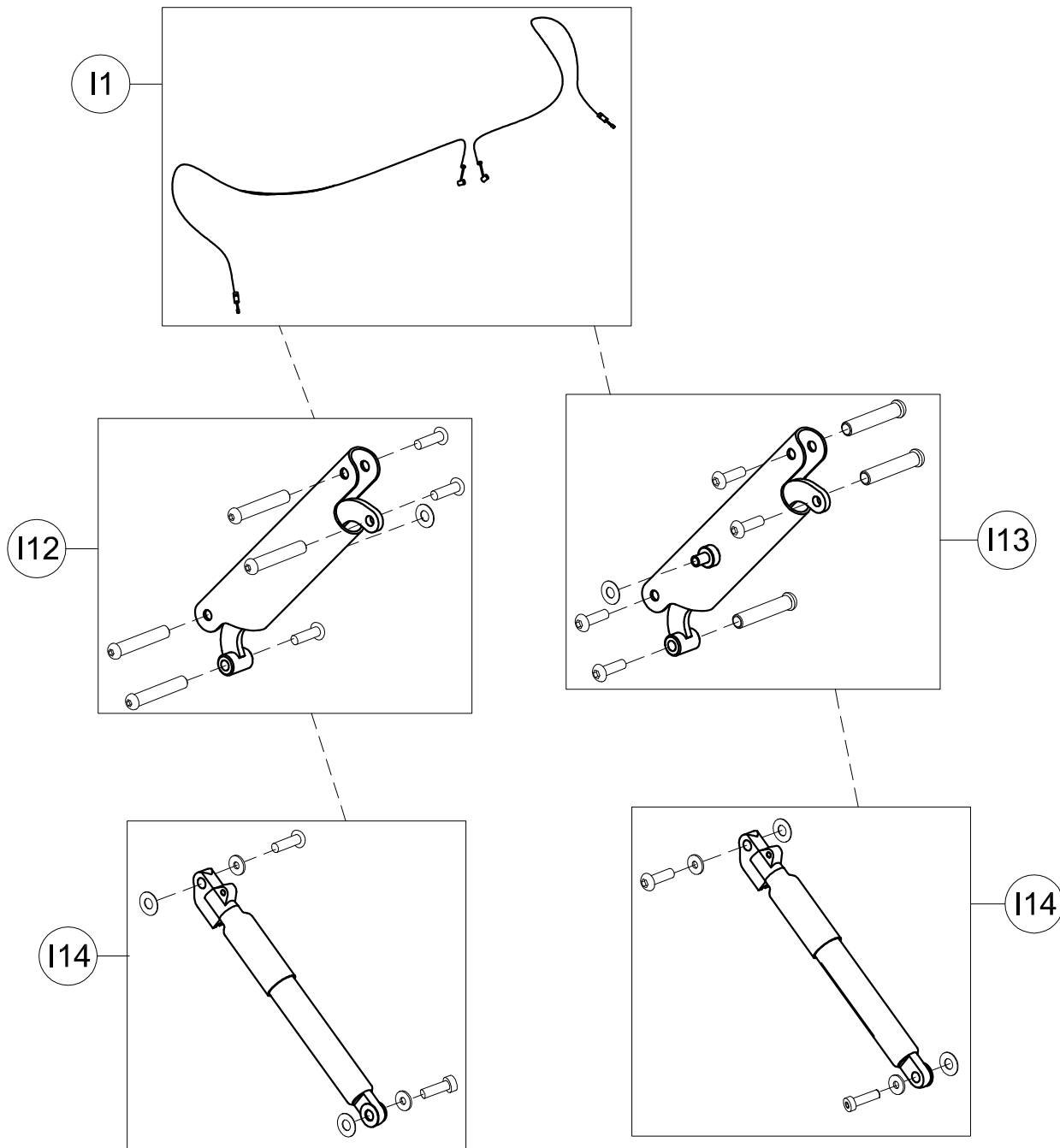
### Spare Parts POSTERIOR GRILLO mini





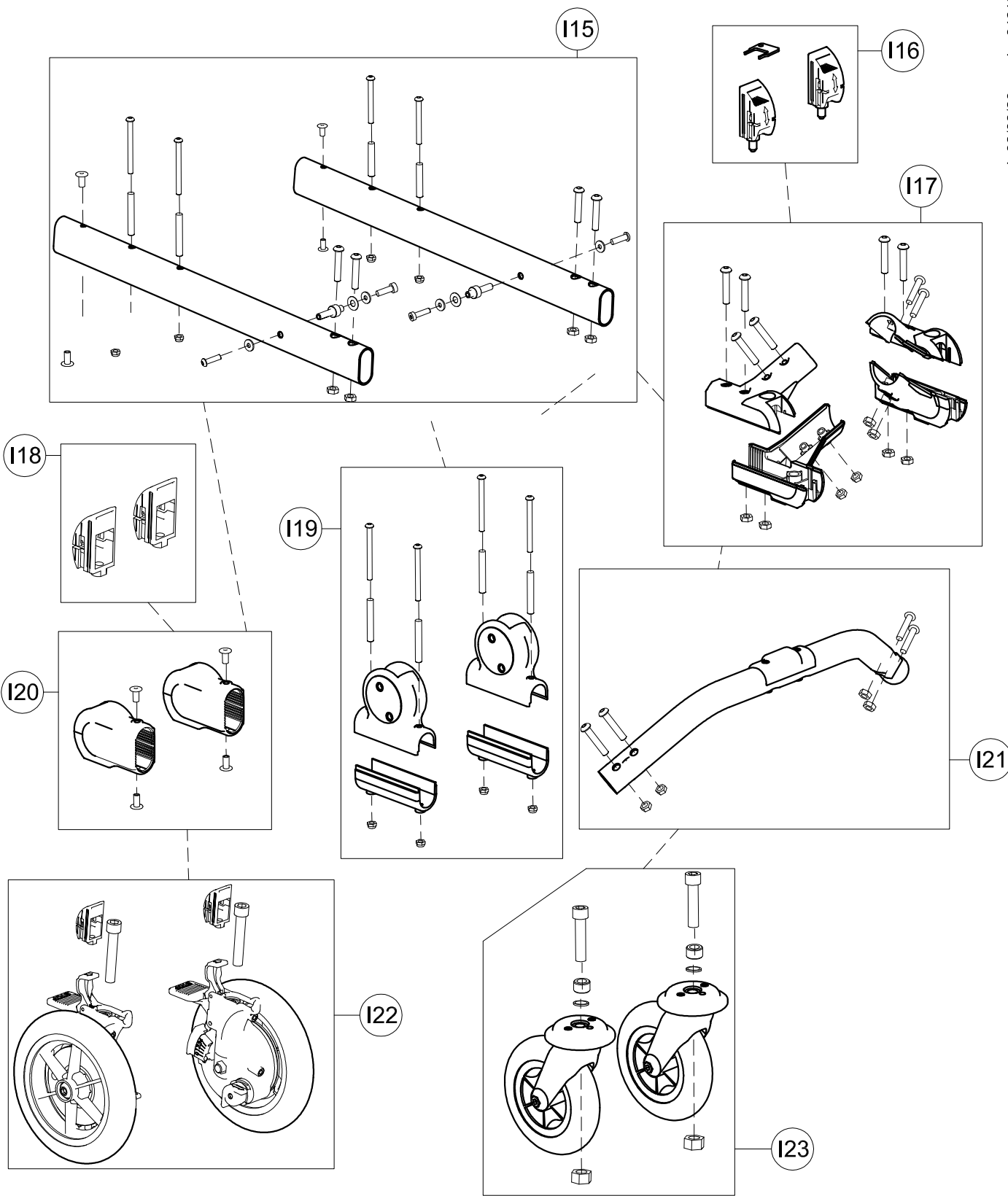
11	302701	PAIR OF HEIGHT ADJUST.CABLES
12	171486	HINGE UPHOLSTERY
13	302700	UPPER CROSSPIECE SUPPORT+SCREWS
14	303088	LEFT UPPER CROSSPIECE SUPPORT+LOCKING LEVER
15	303089	RIGHT UPPER CROSSPIECE SUPPORT+LOCKING LEVER
16	302288	SET OF LEVERS TO LOCK TRUNK SUPPORT VERTICALLY
17	302268	UPPER PELVIC BLOCK FIXING
18	301806	SET OF LEVERS TO LOCK PELVIC SUPP.VERTICALLY
19	301808	PAIR OF KNOBS FOR GAS SPRING
110	302823	OPERATING LEVER SUPPORT
POS.	PART NR.	DESCRIPTION

**Spare Parts** UPPER PART OF GRILLO BASE  
size mini

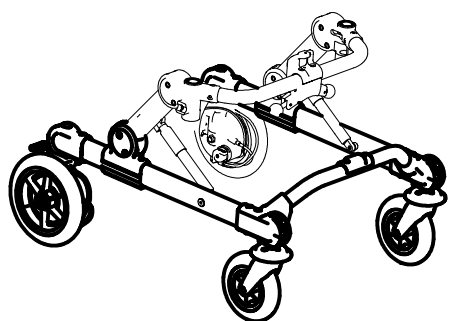


I1	302701	PAIR OF HEIGHT ADJUST.CABLES
I12	302702	COMPLETE RIGHT SIDE
I13	302703	COMPLETE LEFT SIDE
I14	302704	GAS SPRING
POS.	PART NR.	DESCRIPTION

Spare Parts **CENTRAL PART OF GRILLO BASE**  
size mini



I15	303249	PAIR OF BASE SIDES
I16	302546	PAIR OF DIRECTION LOCKS
I17	303250	KIT OF LOWER CROSSPIECE SUPPORT
I18	303508	PAIR OF DIRECT.CAPS FOR WHEELS
I19	301812	PAIR OF UPPER/LOWER SUPPORTS OF SIDE
I20	303208	PAIR OF WHEEL SUPPORTS
I21	303251	LOWER CROSSPIECE+SCREWS
I22	303475	PAIR OF COMPLETE POSTERIOR WHEELS
I23	303385	PAIR OF COMPLETE FRONT WHEELS
POS.	PART NR.	DESCRIPTION



Spare Parts

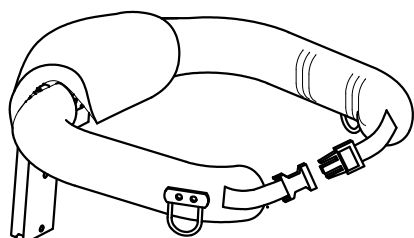
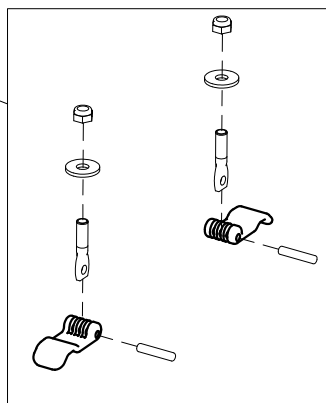
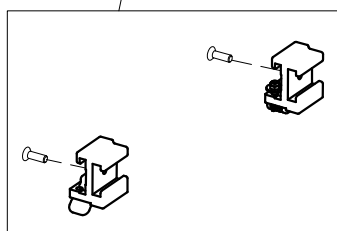
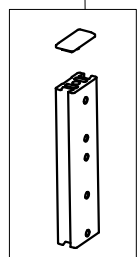
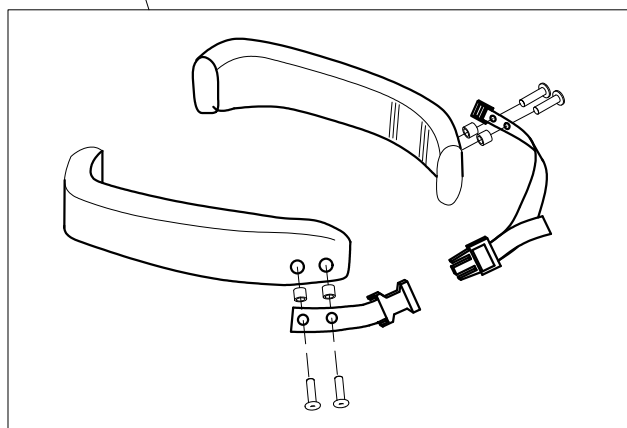
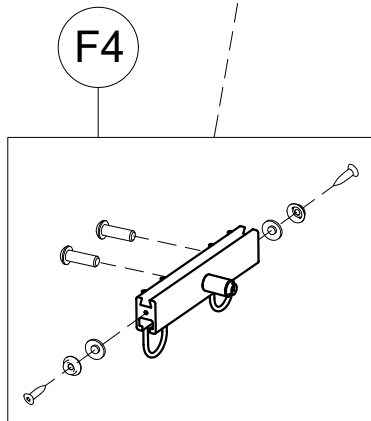
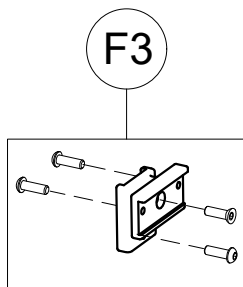
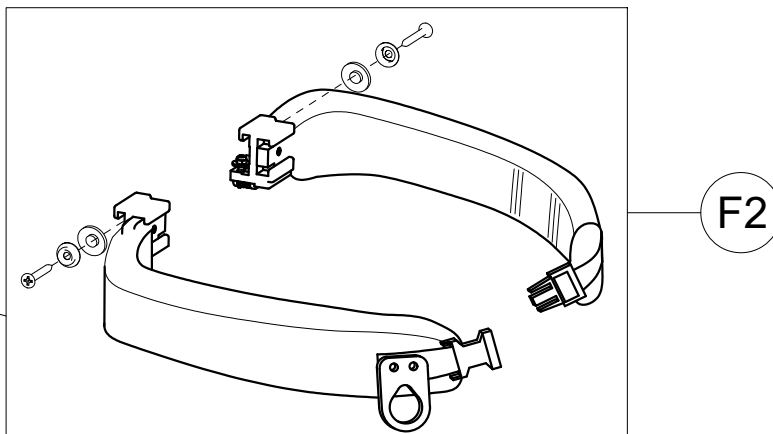
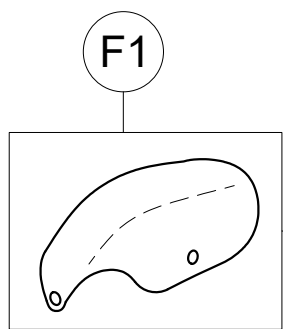
LOWER PART OF GRILLO BASE  
size mini

pag. 4

**ORMESA®**

**GRILLO**

THIS DRAWING BELONGS TO ORMESA: IT IS FORBIDDEN TO REPRODUCE, CHANGE OR INFORM ANY THIRD PARTY ABOUT ITS CONTENTS



F1	160570P	CENTRAL PADDING FOR <b>GRILLO mini PT</b>
	171619	PELVIC CENTRAL UPHOLSTERY FOR <b>GRILLO mini PTM</b>
F2	303199	PAIR OF PELVIC HALF SUPPORT
F3	303226	PELVIC SUPPORT +SCREWS
F4	303098	PROFILE TO ADJUST PELVIC SUPPORT IN WIDTH + HOOKS
F5	303253	PAIR OF PELVIC PADDING + STRAPS AND RIVETS
F6	303099	PELVIC SUPPORT HEIGHT ADJUSTMENT
F7	302298	PAIR OF PROFILE TO SLIDE TRUNK SUPPORT
F8	301842	SET OF LEVERS FOR TRUNK SUPPORT WIDTH
POS.	PART NR.	DESCRIPTION

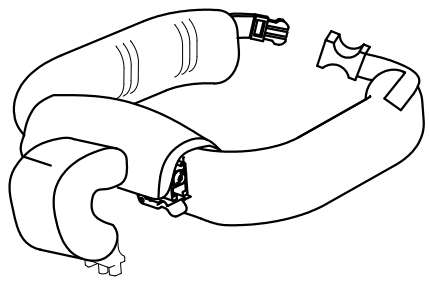
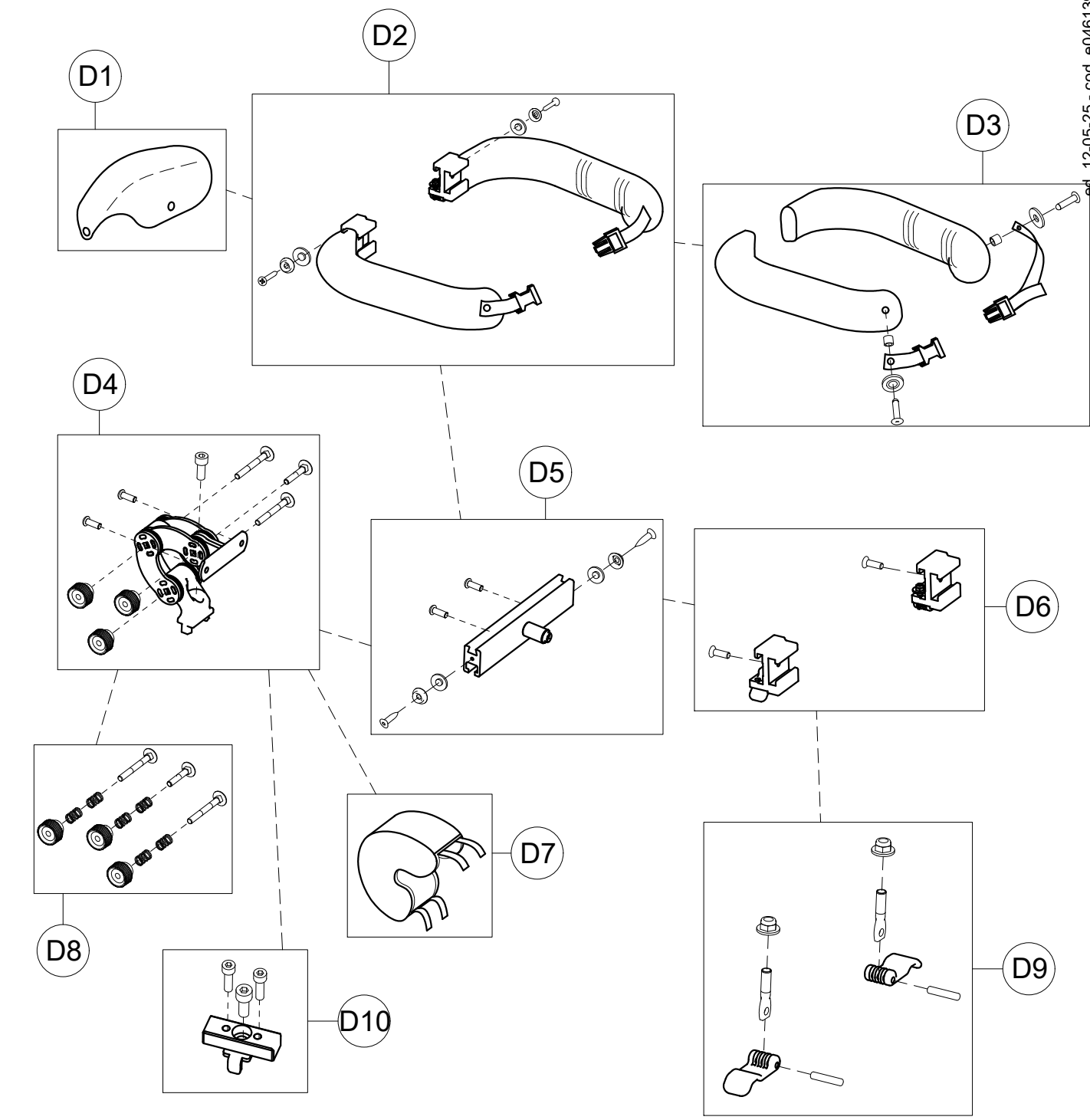
Spare Parts GRILLO PELVIC SUPPORT size mini

pag. 5

**ORMESA**

**GRILLO**

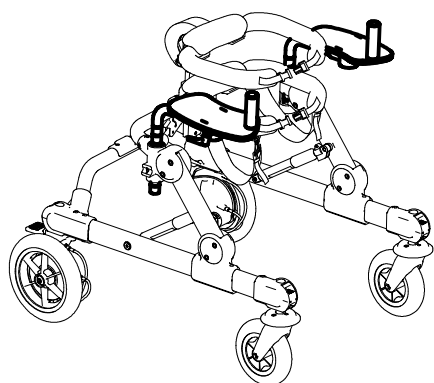
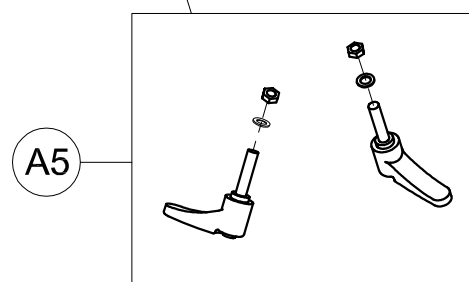
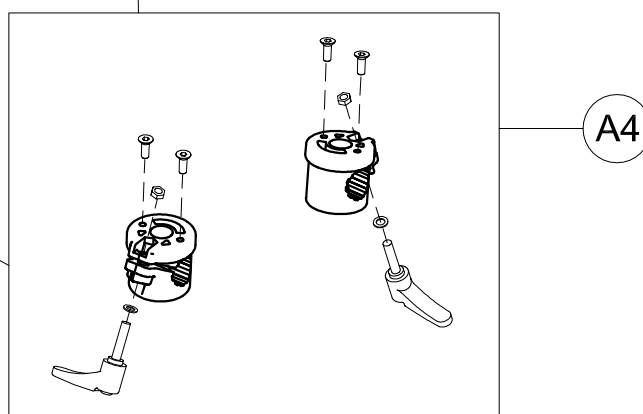
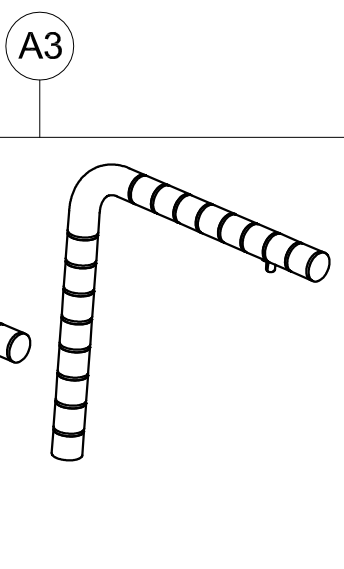
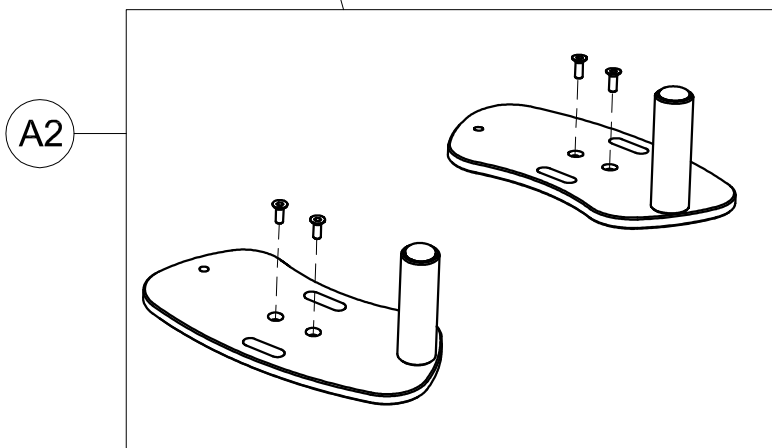
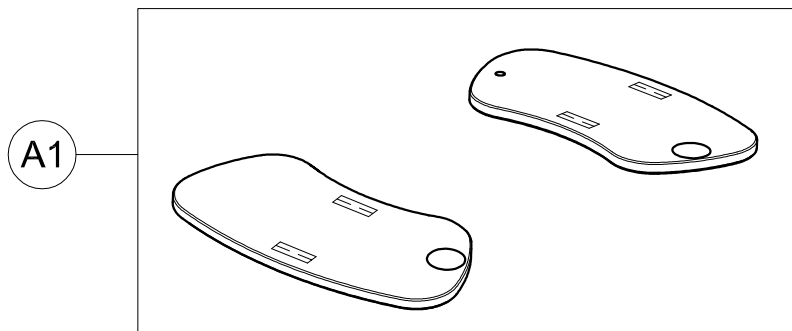
THIS DRAWING BELONGS TO ORMESA: IT IS FORBIDDEN TO REPRODUCE, CHANGE OR INFORM ANY THIRD PARTY ABOUT ITS CONTENTS



D1	160570P	CENTRAL PADDING
D2	303200	PAIR OF TRUNK HALF SUPPORT
D3	303254	PAIR OF TRUNK PADDING + STRAPS AND RIVETS
D4	303102	TRUNK ADJUSTMENT JOINT
D5	303103	PROFILE TO ADJUST TRUNK SUPPORT IN WIDTH
D6	302298	PAIR OF PROFILE TO SLIDE TRUNK SUPPORT
D7	171584	ADJUSTMENT JOINT UPHOLSTERY
D8	303104	KNOB KIT+ SCREWS
D9	301842	SET OF LEVERS FOR TRUNK SUPPORT WIDTH
D10	303195	TRAY/ACCESSORIES FIXING BLOCK + SCREWS

POS. PART NR. DESCRIPTION

Spare Parts GRILLO TRUNK SUPPORT size mini



A1	171585	ARM SUPPORT UPHOLSTERY
A2	303110	PAIR OF 809 TABLETS WITHOUT UPHOLSTERY
A3	302842	CURVED BARS
A4	303111	PAIR OF 809 SUPPORTS
A5	303108	PAIR OF M6X25 LEVERS +NUTS
POS.	PART NR.	DESCRIPTION

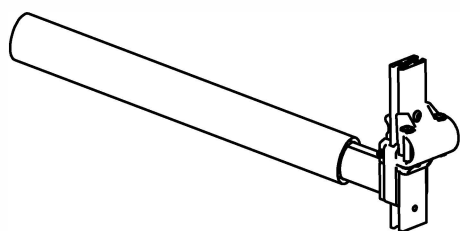
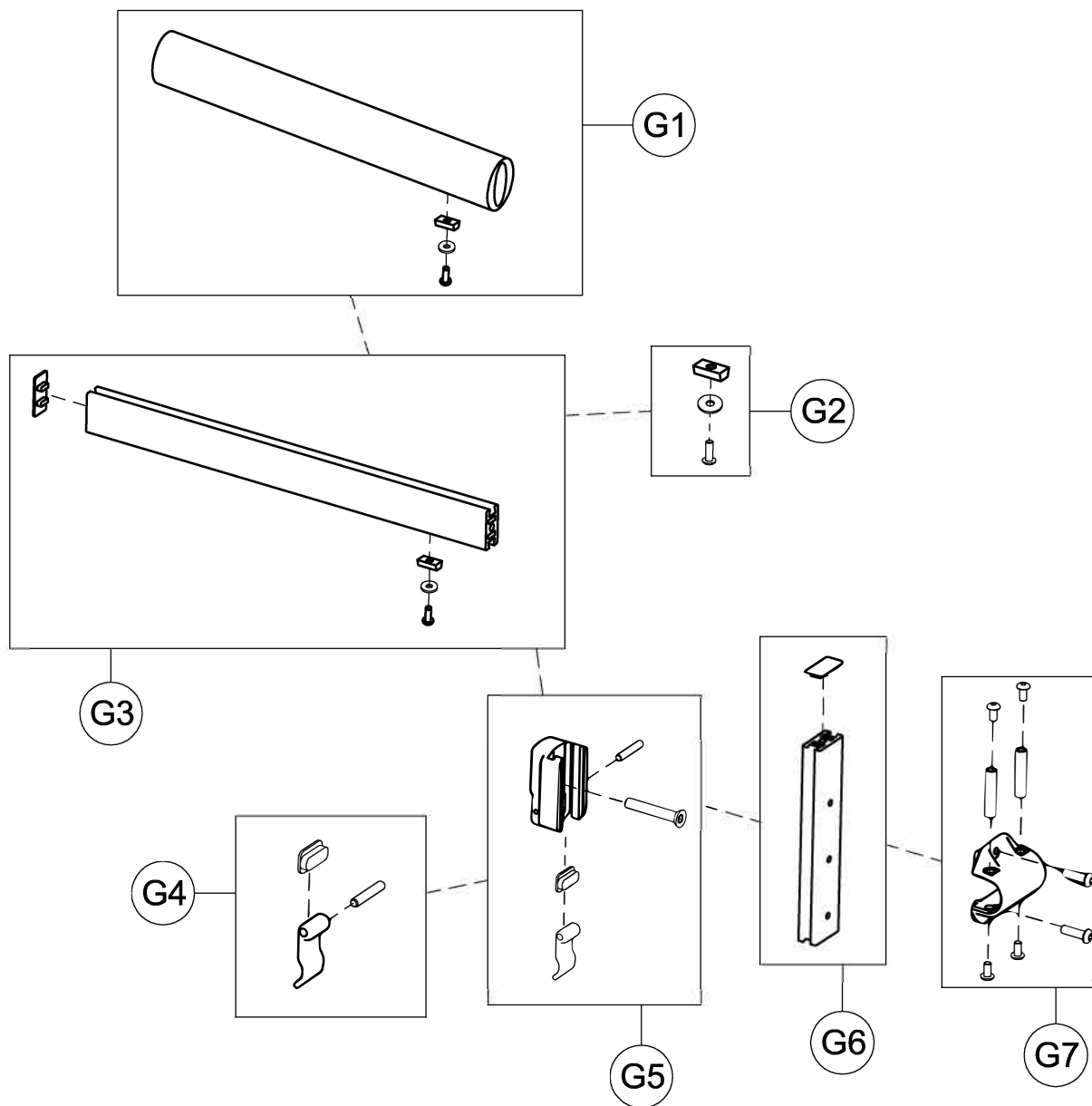
Spare Parts ARM SUPPORTS size mini

pag. 7

**ORMESA®**

**GRILLO**

THIS DRAWING BELONGS TO ORMESA: IT IS FORBIDDEN TO REPRODUCE, CHANGE OR INFORM ANY THIRD PARTY ABOUT ITS CONTENTS

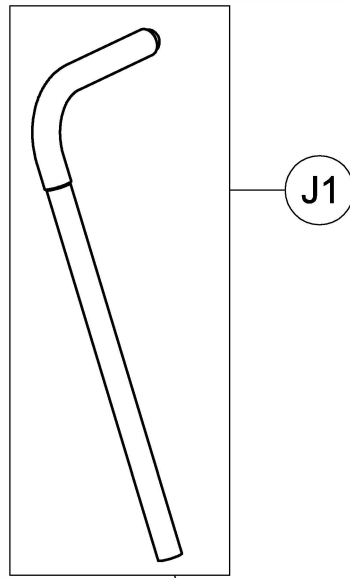
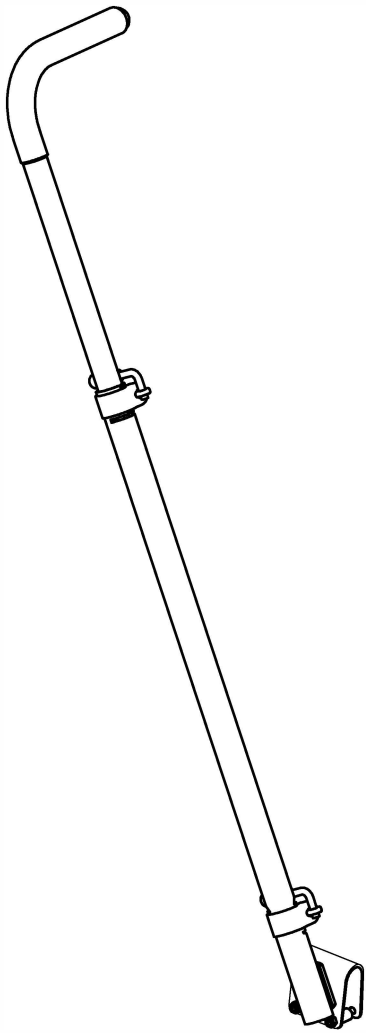


G1	303112	890 HORIZONTAL BAR UPHOLSTERY + SCREW
G2	302721	SET OF SCREWS FOR PADDED LOCK
G3	302720	HORIZONTAL BAR +CAP+ SCREWS
G4	301866	SET OF HEIGHT ADJUST. LEVER
G5	301862	890 FIXING BAR + LEVER AND SCREWS
G6	301863	890 VERTICAL BAR + CAP
G7	301865	FIXING LOCK 890 + SCREWS
POS.	PART NR.	DESCRIPTION

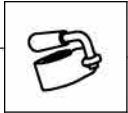
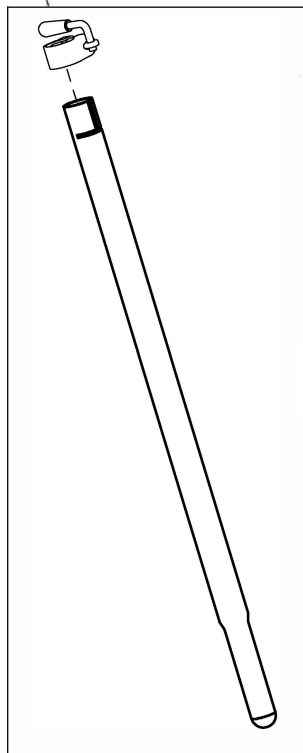
Spare Parts LEG DIVIDER GRILLO size mini

**ORMESA®**

**GRILLO**

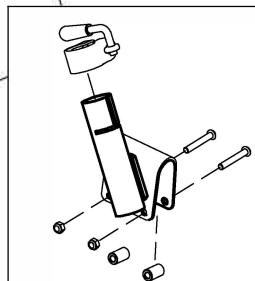


J1



J4

J2



J4

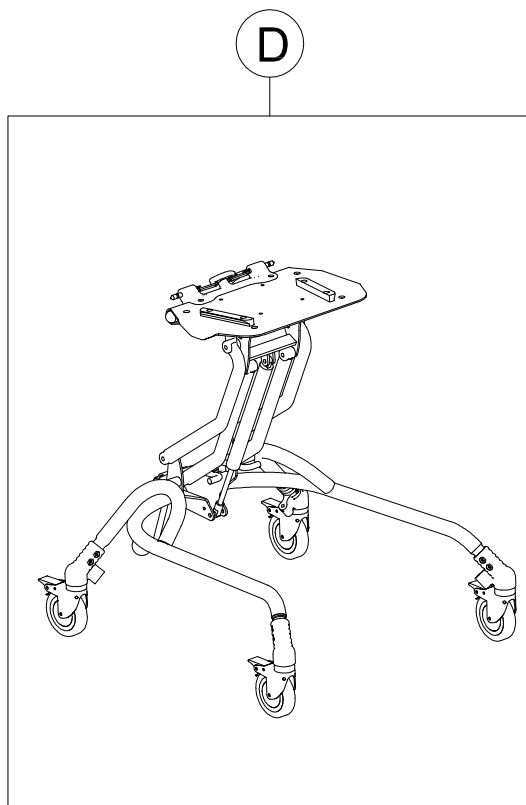
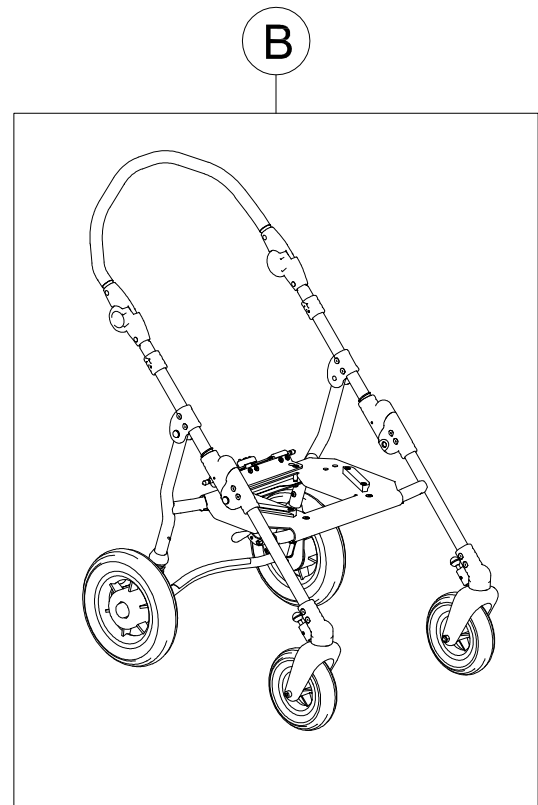
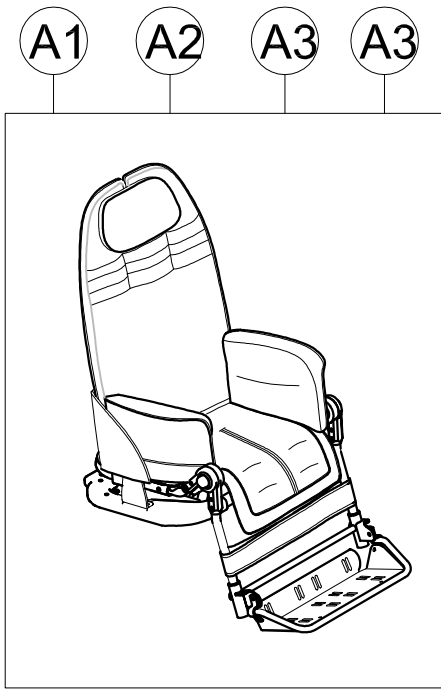
J3

J1	303113	PUSHING HANDLEBAR WITH GRIP
J2	303114	BAR FOR HANDLEBAR
J3	302443	HANDLEBAR FIXING PART
J4	21085	LOCKING
POS.	PART NR.	DESCRIPTION

Spare Parts PUSHING HANDLEBAR for CARE GIVERS

**ORMESA®**

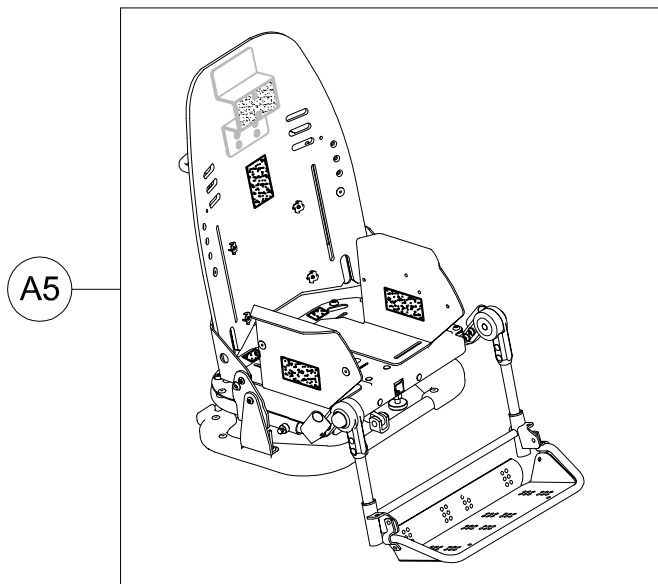
**GRILLO**



A1	106835	SEAT UNIT BUG Medium LIGHT GREY GREEN UPHOLSTERY
A2	106836	SEAT UNIT BUG Medium DARK GREY GREEN UPHOLSTERY
A3	106837	SEAT UNIT BUG Medium LIGHT GREY PINK UPHOLSTERY
A4	106838	SEAT UNIT BUG Medium DARK GREY PINK UPHOLSTERY
B	106830	869 Medium FOUR WHEEL BASE FOR BUG BLACK FRAME
D	108118	856 Medium HIGH LOW ADJUST BASE BUG

POS. PART NR. DESCRIPTION

### Spare Parts BUG size Medium



A5



**GRIGIO CHIARO VERDE**  
**LIGHT GREY GREEN**

A41



**GRIGIO CHIARO ROSA**  
**LIGHT GREY PINK**

A42



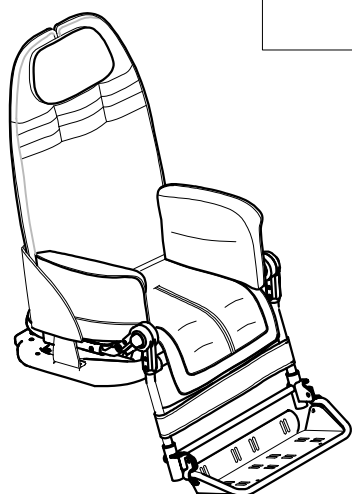
**GRIGIO SCURO VERDE**  
**DARK GREY GREEN**

A43



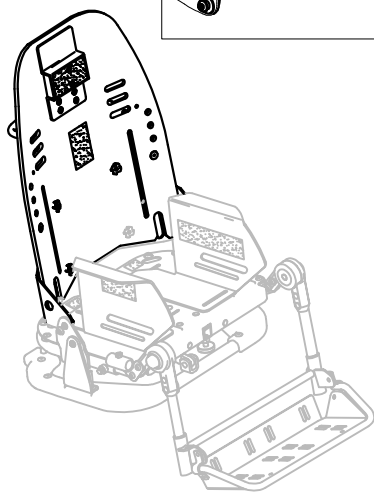
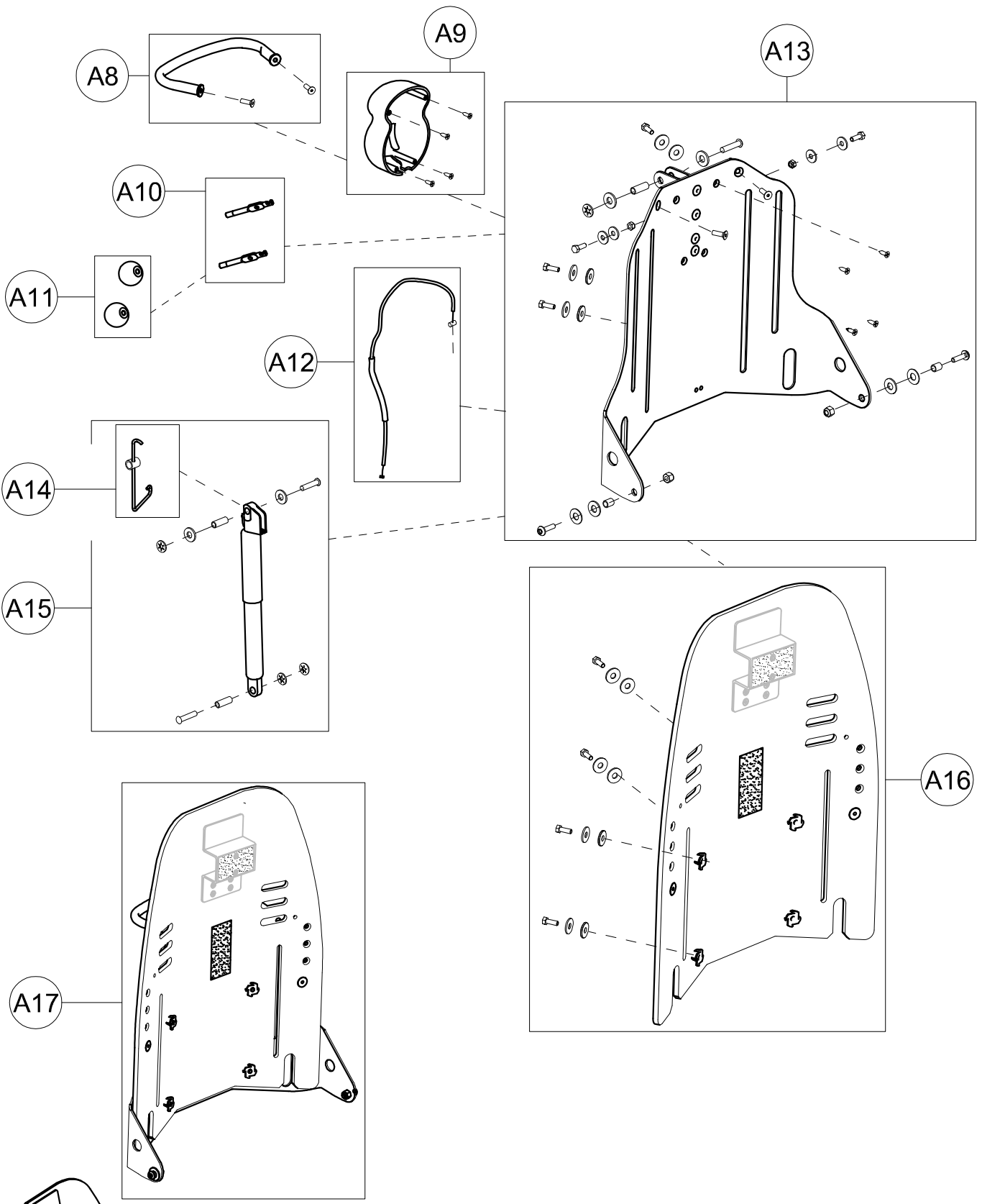
**GRIGIO SCURO ROSA**  
**DARK GREY PINK**

A44



A5	105602	BUG Medium SEAT UNIT (NO UPHOLSTERY)
A41	171645	LIGHT GREY GREEN UPHOLSTERY BUG Medium
A42	171646	LIGHT GREY PINK UPHOLSTERY BUG Medium
A43	171647	DARK GREY GREEN UPHOLSTERY BUG Medium
A44	171648	DARK GREY PINK UPHOLSTERY BUG Medium
POS.	PART NR.	DESCRIPTION

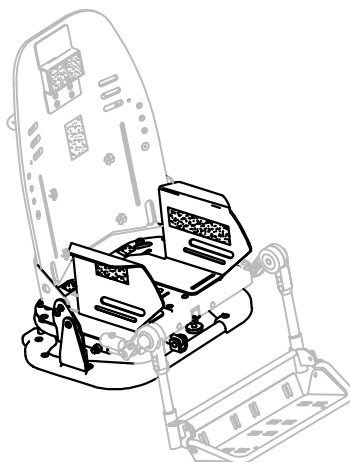
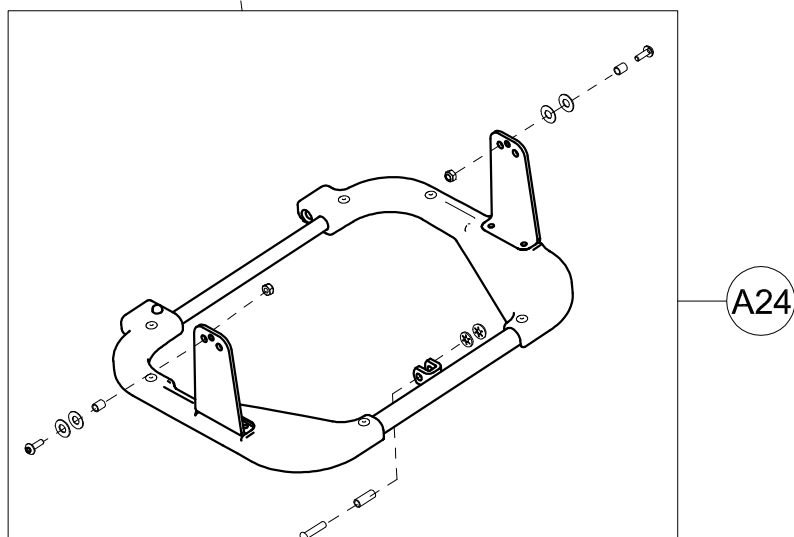
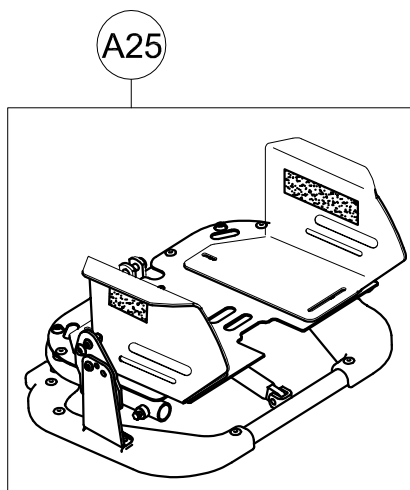
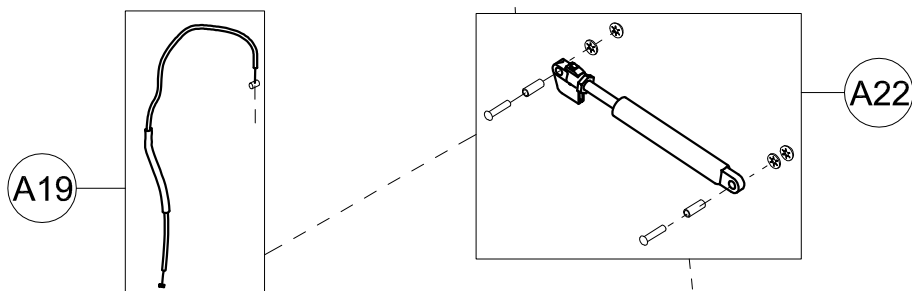
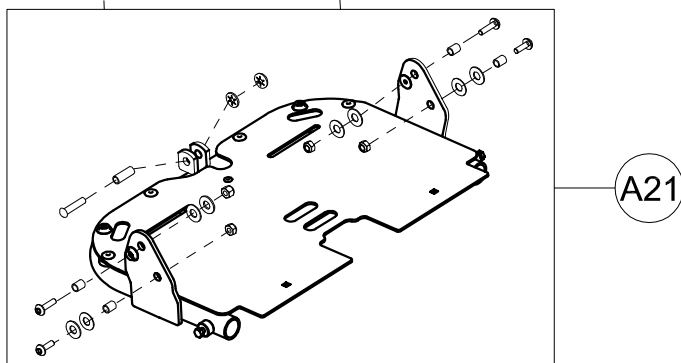
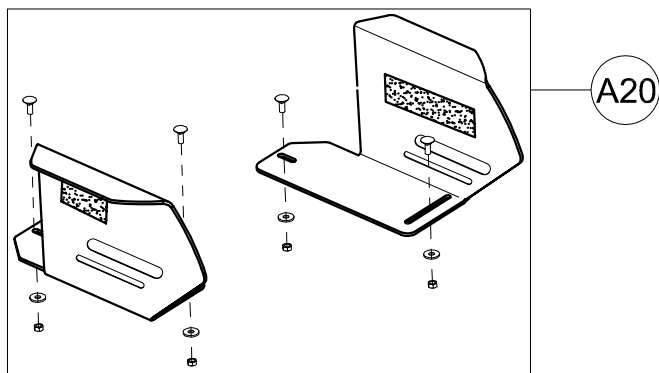
### Spare Parts BUG Medium SEAT UNIT



A8	301355	COMPLETE HANDLE OF THE SEATING UNIT FOR BUG
A9	301356	COMPLETE COVER OF THE BACKREST FOR BUG
A10	301965	PAIR OF INCLINATION/TILTING CONTROL LEVERS BUG
A11	301966	PAIR OF KNOB D30 RED / BLACK BUG
A12	21351	CABLE + COMPLETE SHEATH OF THE SEAT FOR BUG Medium
A13	301362	COMPLETE ADJUSTMENT OF THE BACKREST FOR BUG Medium
A14	301969	SPRING, Ø0, 7 + BUSHING FOR GAS SPRING
A15	301968	COMPLETE GAS SPRINGS BACKREST FOR BUG Medium
A16	303349	BACKREST + SCREWS FOR BUG Medium
A17	303351	COMPLETE BACKREST BUG Medium
POS.	PART NR.	DESCRIPTION

Spare Parts BACKREST STRUCTURE mis. Medium





A19	21351	CABLE+ SHEATH SEAT BUG Medium
A20	302044	COMPLETE RIGHT / LEFT SIDES OF THE SEAT FOR BUG Medium
A21	301349	COMPLETE SEAT FOR BUG Medium
A22	301587	GAS SPRING FOR BUG TILT + SCREWS
A24	301352	LOWER SEAT FOR BUG Medium
A25	301448	COMPLETE LOWER SEATING FRAME BUG Medium
POS.	PART NR.	DESCRIPTION

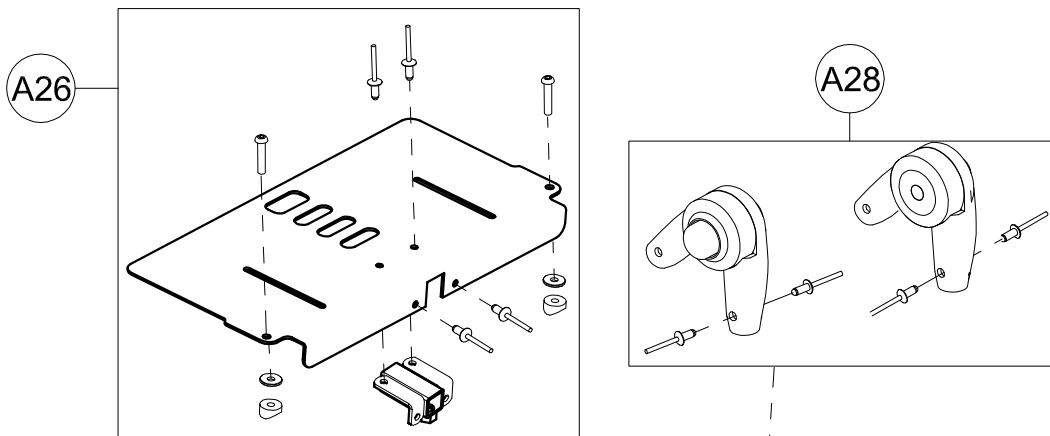
Spare Parts LOWER SEATING FRAME Size Medium

pag. 4

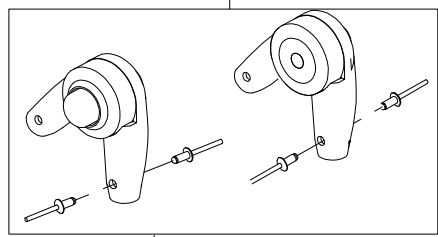
**ORMESA**

**BUG**

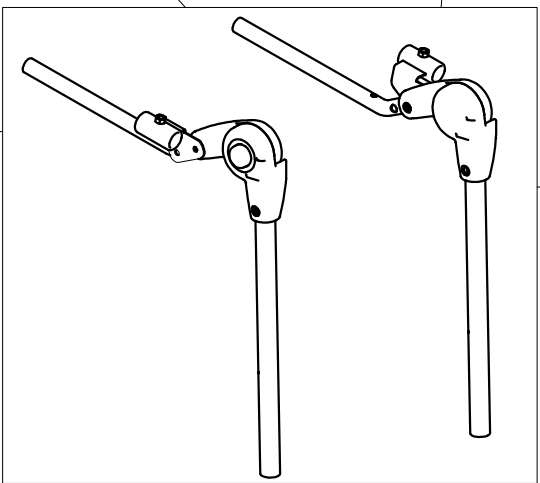
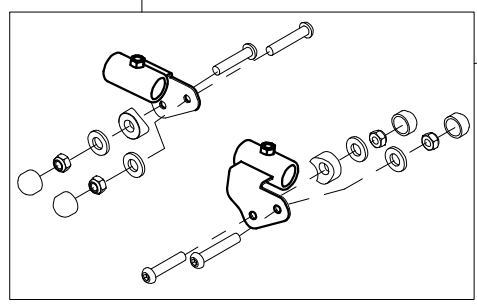
THIS DRAWING BELONGS TO ORMESA: IT IS FORBIDDEN TO REPRODUCE, CHANGE OR INFORM ANY THIRD PARTY ABOUT ITS CONTENTS



A28

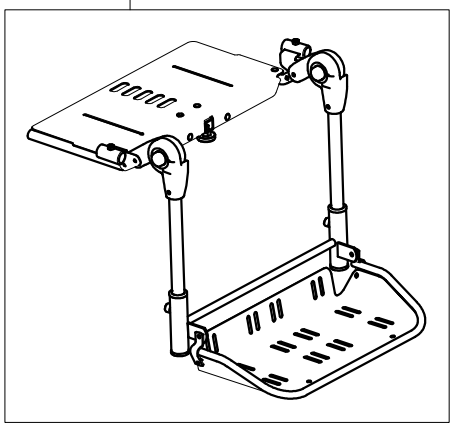


A27

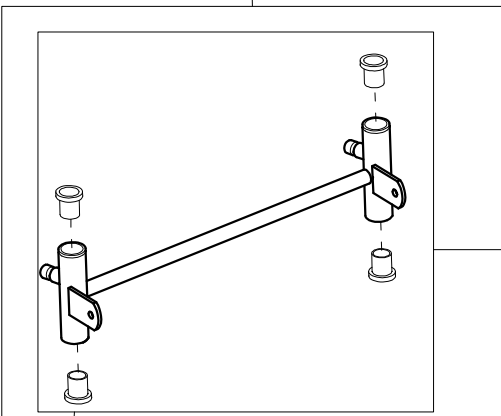


A29

A33

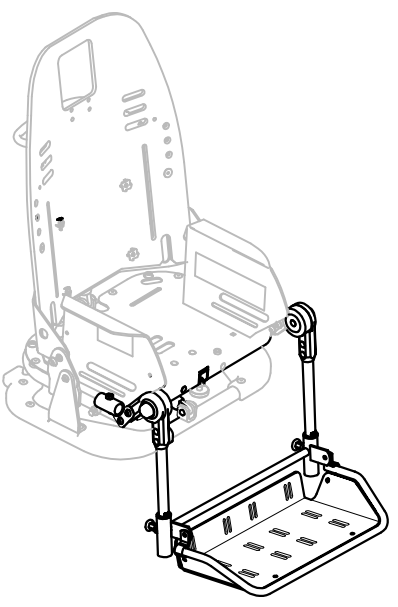
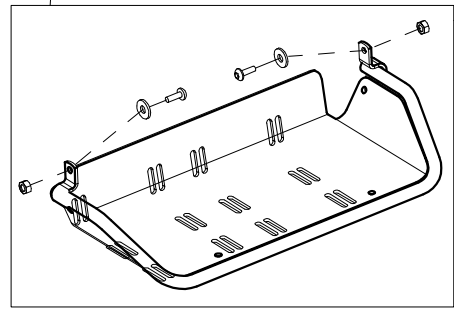


A30



A31

A32

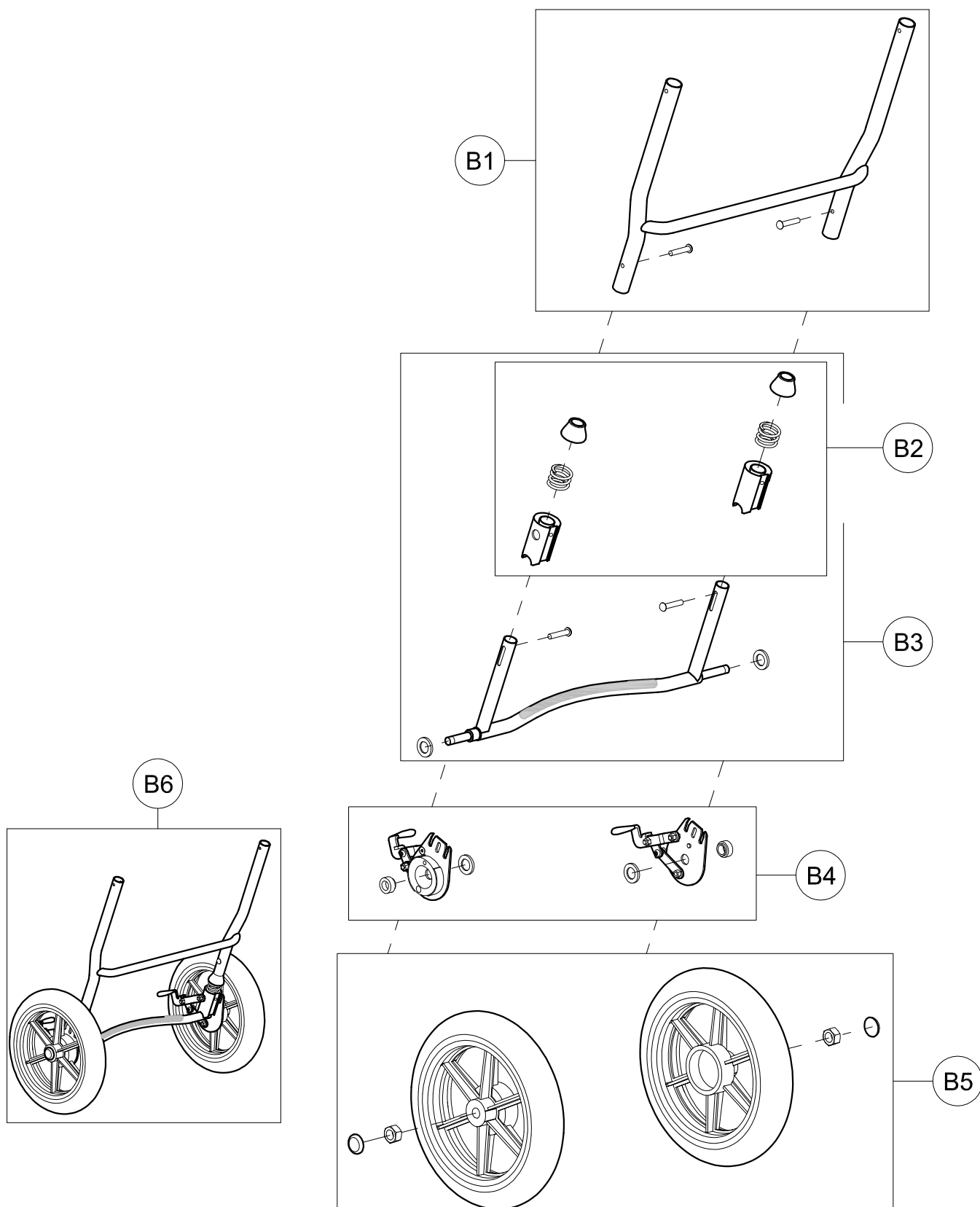


A26	301973	EXTENDED SEAT BUG Medium +JOIN PIECE OF THE ABDUCTION BLOCK
A27	303063	PAIR OF TRAY ATTACHMENT BUG
A28	301974	PAIR OF LEGREST PVC JOINTS FOR BUG Medium
A29	303263	RIGHT/ LEFT LEGRESTS + JOINTS BUG Medium
A30	301601	COMPLETE FOOTREST FOR BUG Medium 3R-4R
A31	301602	COMPLETE TROUSER HEM-BINDING FOR BUG Medium 3R/4R
A32	301440	COMPLETE FOOTREST BUG Medium WITHOUT HEM-BINDING
A33	303265	FOOT AND LEGREST WITH EXTENDED SEAT BUG Medium
POS.	PART NR.	DESCRIPTION

Spare Parts

FOOT AND LEGREST WITH EXTENDED SEAT size Medium



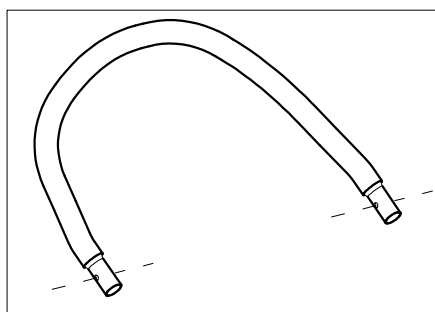


B1	301976N	BACK FRAME FOR BUG Medium 4R (BLACK)
B2	301980	SET OF SHOCK ABSORBERS FOR BUG Medium
B3	301978N	COMPLETE FRAME OF SHOCK ABSORBER FOR BUG Medium 4R
B4	301981	PAIR OF RIGHT-LEFT BRAKE COMPLETE BUG
B5	301983	PAIR OF REAR WHEELS 12" BUG Medium
B6	301985N	COMPLETE BACK FRAME OF THE 869 BASE BUG Medium
POS.	PART NR.	DESCRIPTION

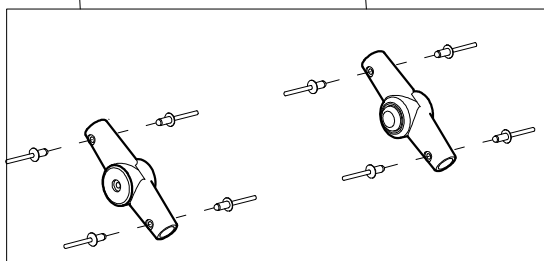
Spare Parts BACK FRAME OF THE 869 BASE size Medium

**ORMESA**

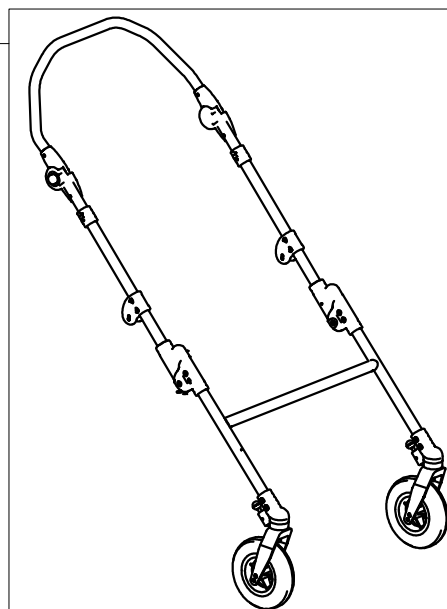
**BUG** pag. 6



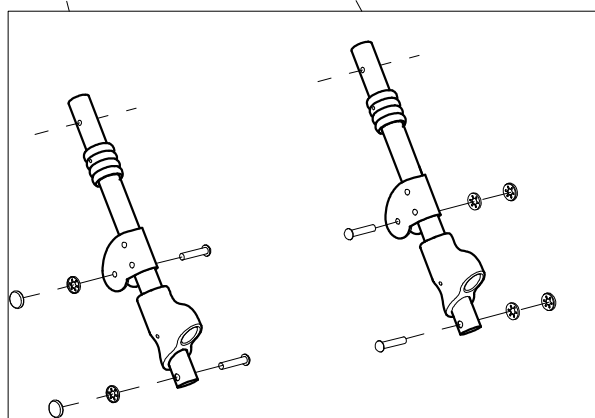
B7



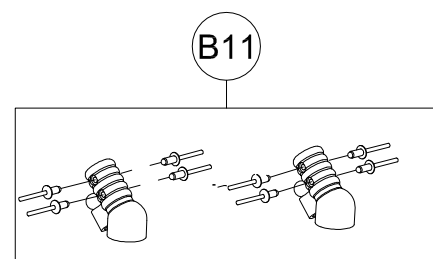
B8



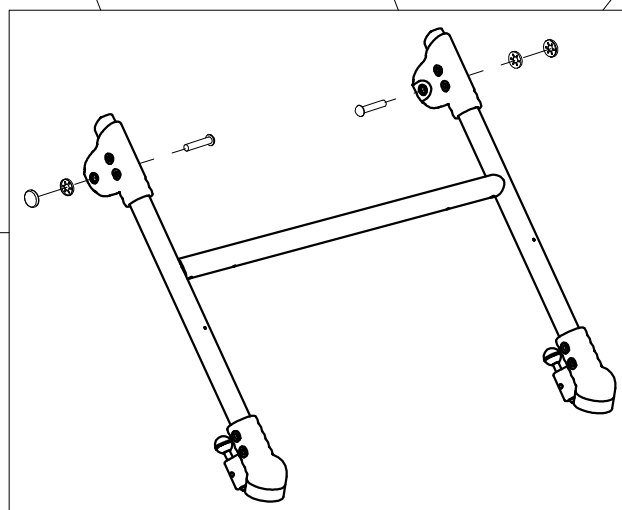
B20



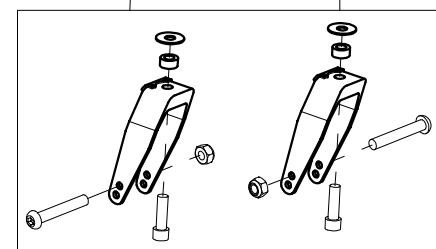
B9



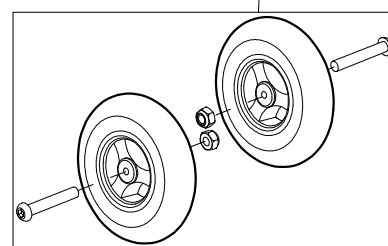
B11



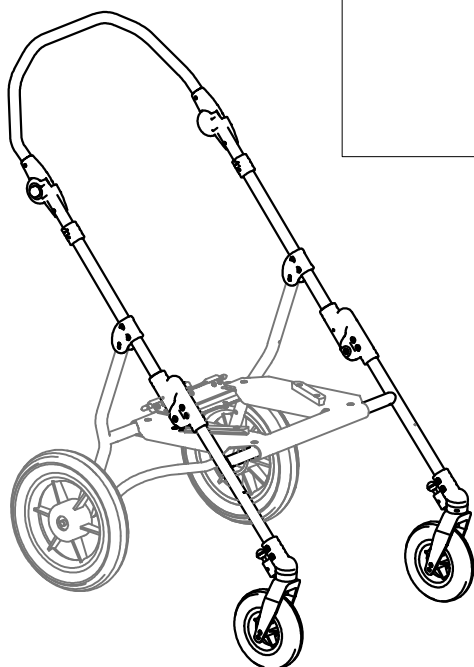
B10



B12



B13

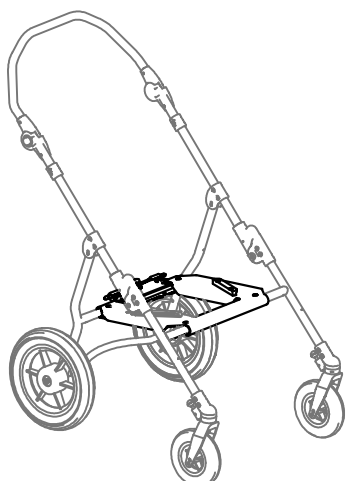
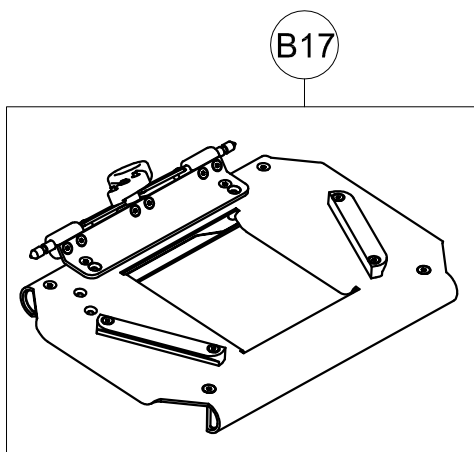
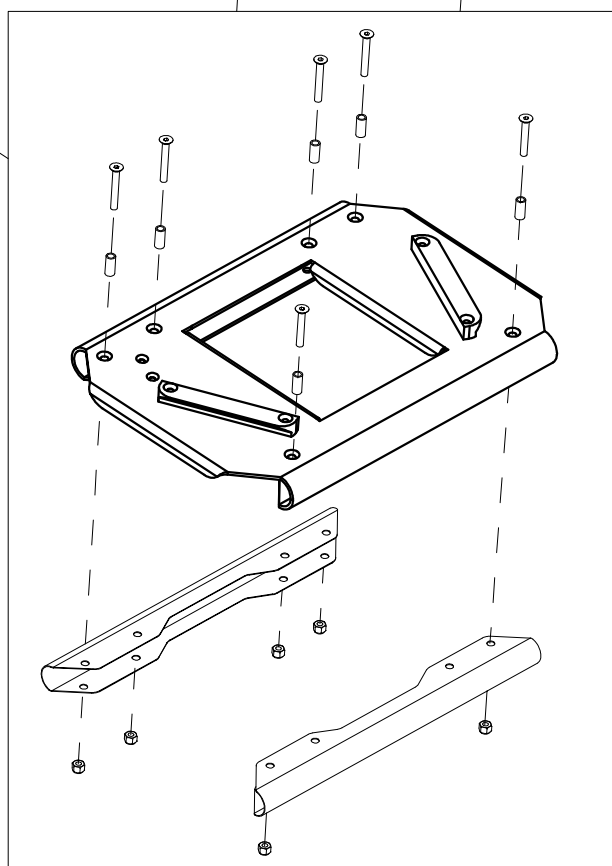
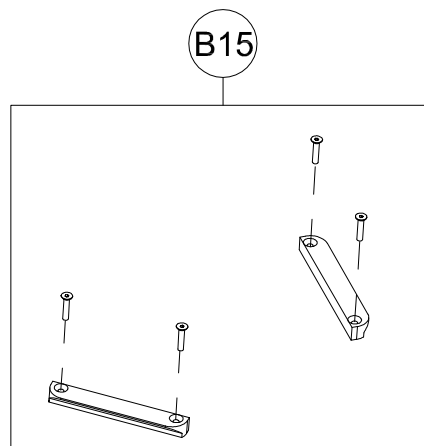
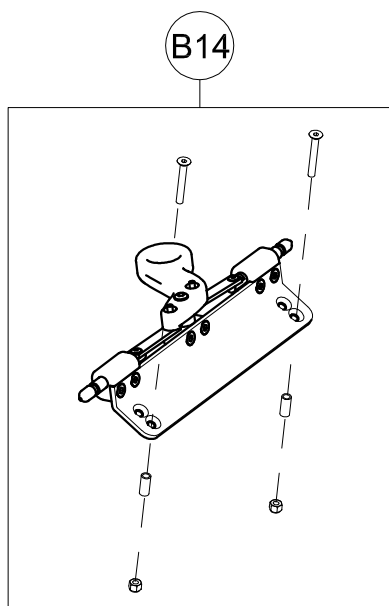


B7	303352	COMPLETE PUSH HANDLE OF BUG Medium
B8	302431	PAIR OF PUSH HANDLE JOINTS WITH RIVET BUG 3R/4R
B9	303353N	PAIR OF THE PUSH HANDLE TUBES FOR BUG Medium 4R
B10	303354N	COMPLETE FRONT FRAME + WHEEL SUPPORT BUG Medium 4R (BLACK)
B11	301991	PAIR OF FRONT WHEEL SUPPORTS FOR BUG 4R
B12	303355	PAIR OF FRONT WHEEL FORKS FOR BUG 4R
B13	303356	PAIR OF FRONT WHEELS FOR BUG 4R
B20	303357N	COMPLETE FRONT FRAME OF THE 869 BASE BUG Medium (BLACK)
POS.	PART NR.	DESCRIPTION

Spare Parts FRONT FRAME OF THE 869 BASE size Medium

**ORMESA**

**BUG**

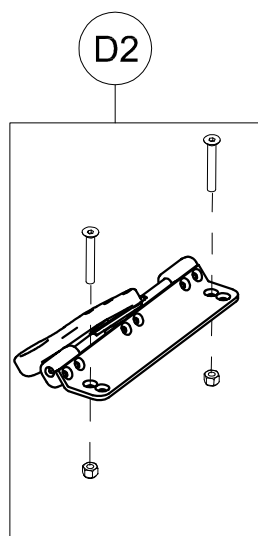


B14	301367	FIXING PART FOR SEAT OF BUG
B15	301996	PAIR OF SEAT SLIDES FOR BUG Medium
B16	302463	SHEET-METAL OF THE SEAT FOR 869 BUG Medium +SLIDES + SCREWS
B17	302469	SEAT OF THE 869 BASE BUG Medium
POS.	PART NR.	DESCRIPTION

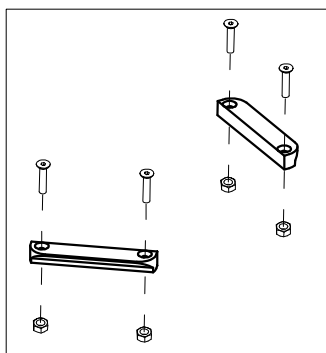
Spare Parts SEAT OF THE 869 BASE size Medium pag. 8

**ORMESA**

**BUG**

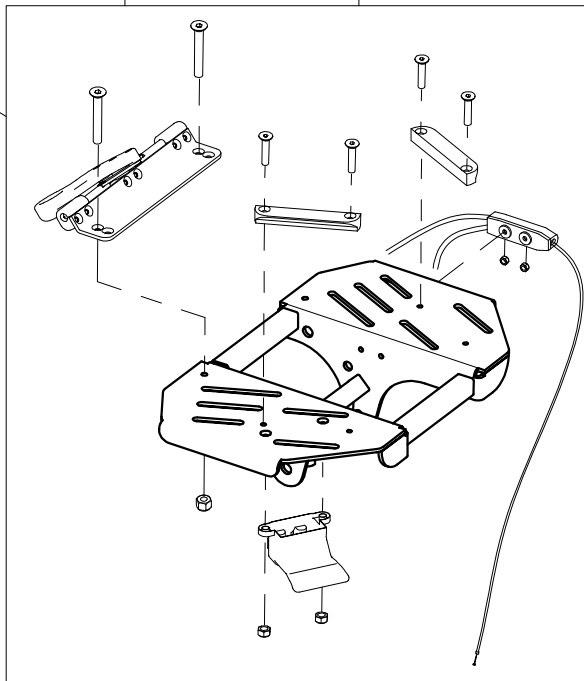


D2

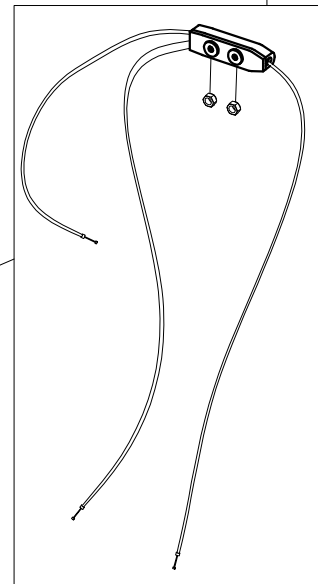


D3

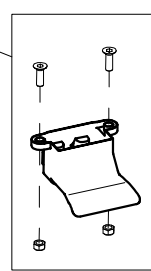
D1



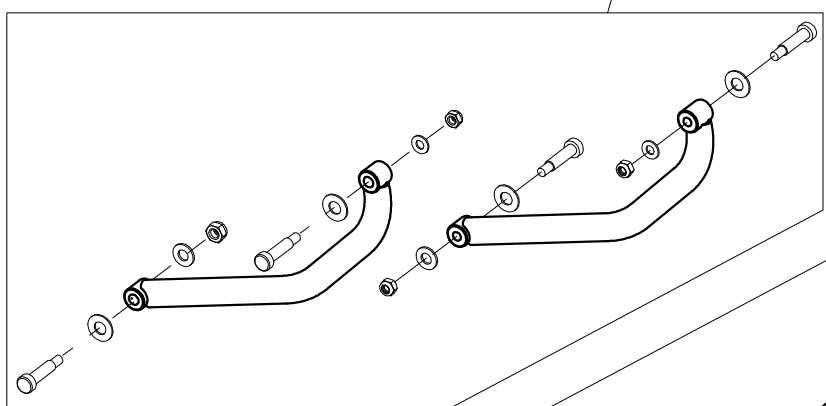
D4



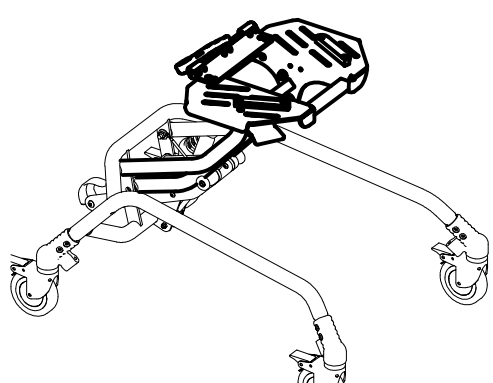
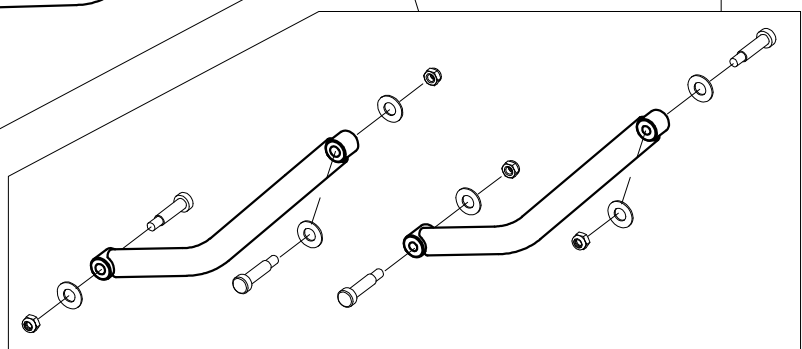
D5



D7



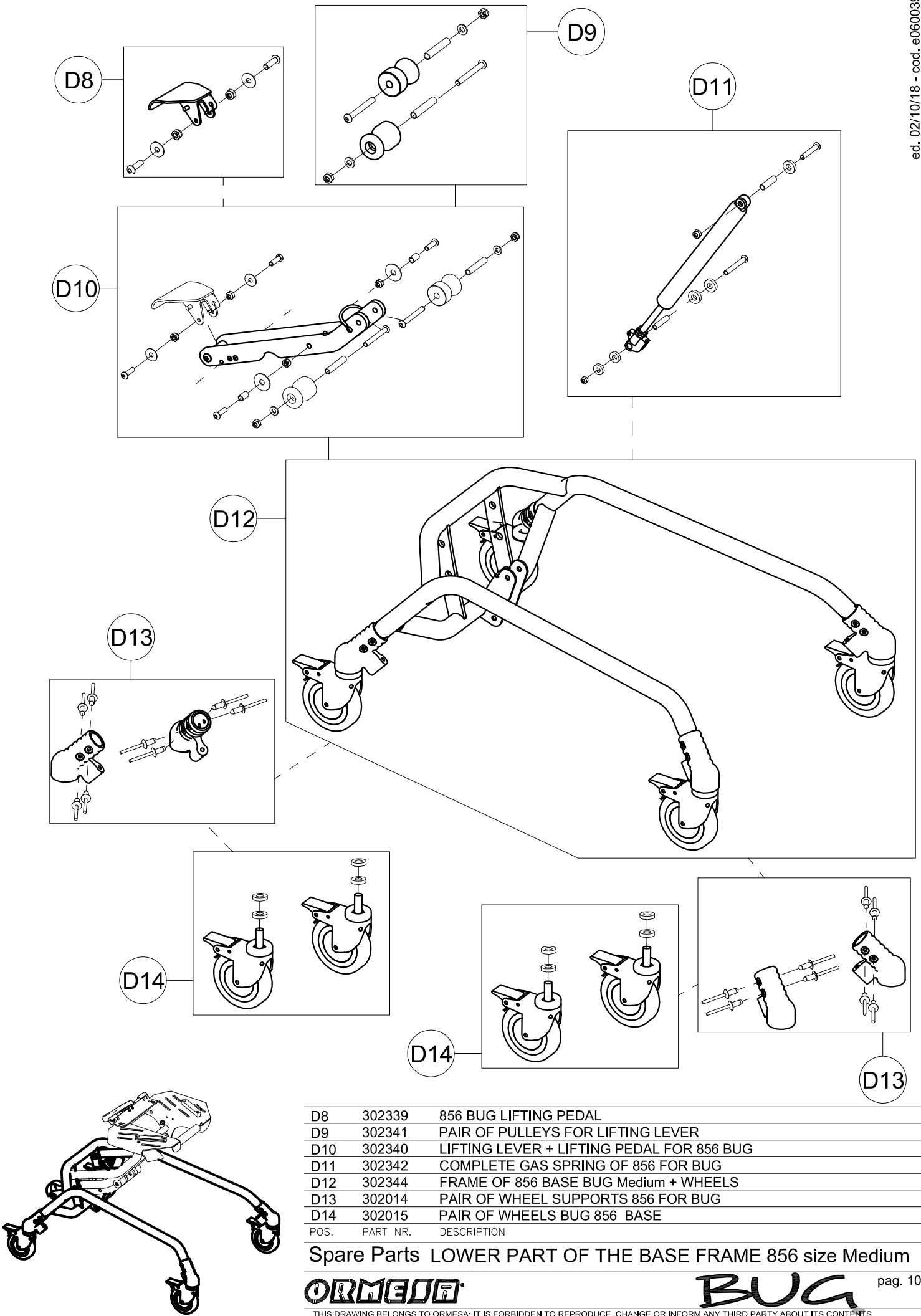
D6



D1	302338	COMPLETE SEAT 856 BUG Medium
D2	301367	FIXING PART FOR SEAT OF BUG
D3	302427	PAIR OF THE SEAT SLIDES FOR BUG Medium
D4	302310	SET OF CABLES+DOUBLER 856 Medium BUG
D5	302335	856-BUG MANUAL LIFTING LEVER + SCREWS
D6	302337	PAIR OF UPPER ARMS OF 856 BASE FOR BUG
D7	302336	PAIR OF LOWER ARMS OF 856 BASE FOR BUG
POS.	PART NR.	DESCRIPTION

**Spare Parts UPPER PART OF THE BASE FRAME 856 size Medium**



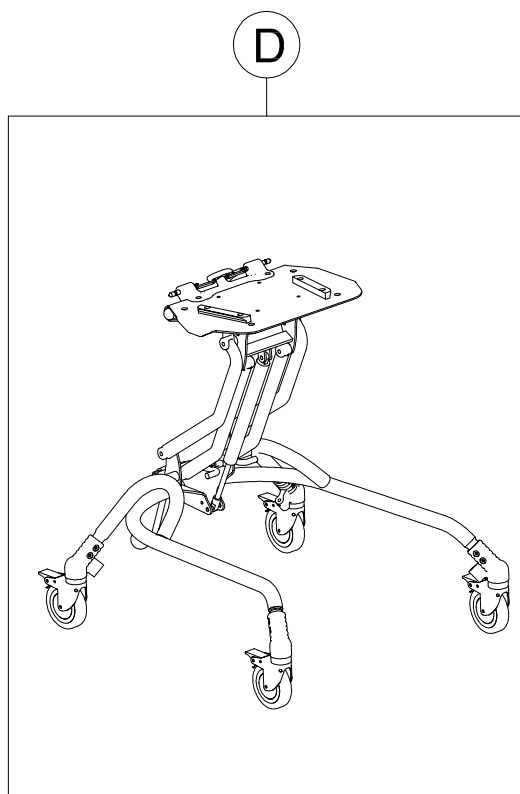
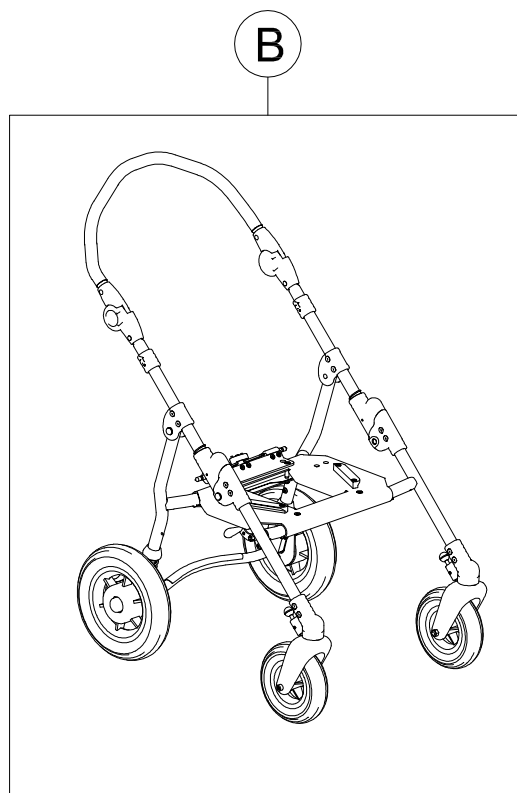
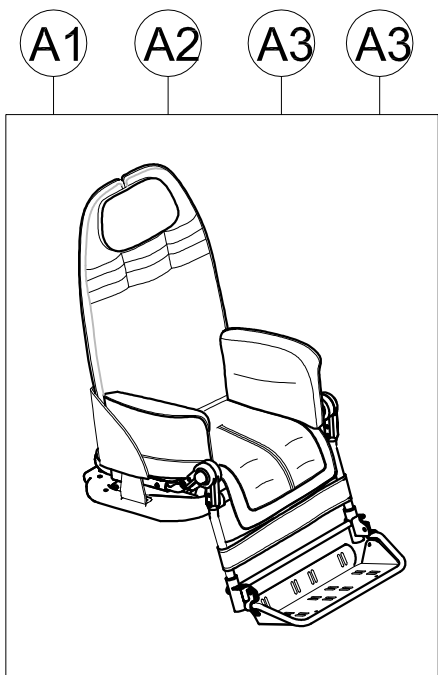


D8	302339	856 BUG LIFTING PEDAL
D9	302341	PAIR OF PULLEYS FOR LIFTING LEVER
D10	302340	LIFTING LEVER + LIFTING PEDAL FOR 856 BUG
D11	302342	COMPLETE GAS SPRING OF 856 FOR BUG
D12	302344	FRAME OF 856 BASE BUG Medium + WHEELS
D13	302014	PAIR OF WHEEL SUPPORTS 856 FOR BUG
D14	302015	PAIR OF WHEELS BUG 856 BASE
POS.	PART NR.	DESCRIPTION

Spare Parts LOWER PART OF THE BASE FRAME 856 size Medium

**ORMESA**

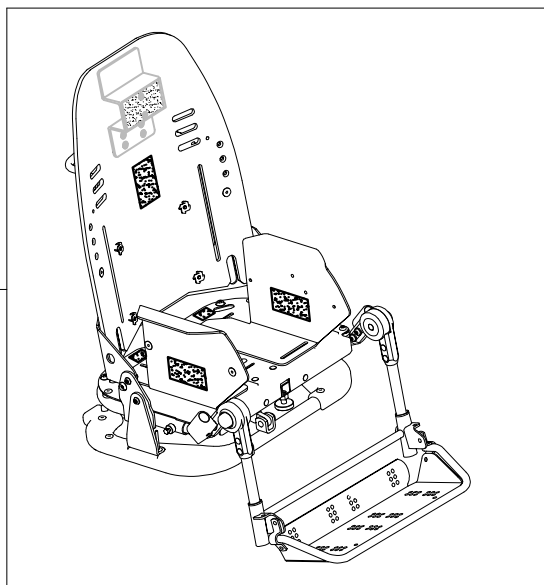
**BUG**



A1	106831	SEAT UNIT BUG Small LIGHT GREY GREEN UPHOLSTERY
A2	106832	SEAT UNIT BUG Small DARK GREY GREEN UPHOLSTERY
A3	106833	SEAT UNIT BUG Small LIGHT GREY PINK UPHOLSTERY
A4	106834	SEAT UNIT BUG Small DARK GREY PINK UPHOLSTERY
B	106829	869 Small FOUR WHEEL BASE FOR BUG BLACK FRAME
D	108117	856 Small HIGH LOW ADJUST BASE BUG
POS.	PART NR.	DESCRIPTION

### Spare Parts BUG size Small

A5



A41



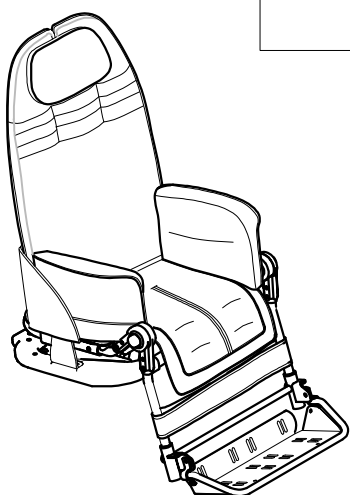
A42



A43



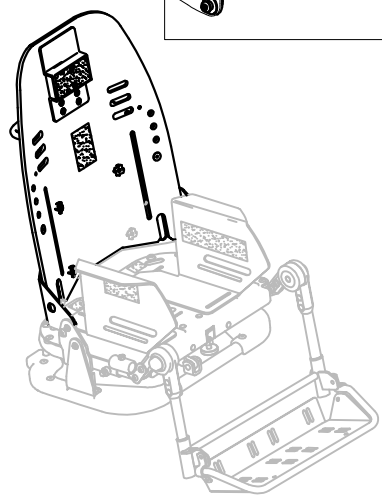
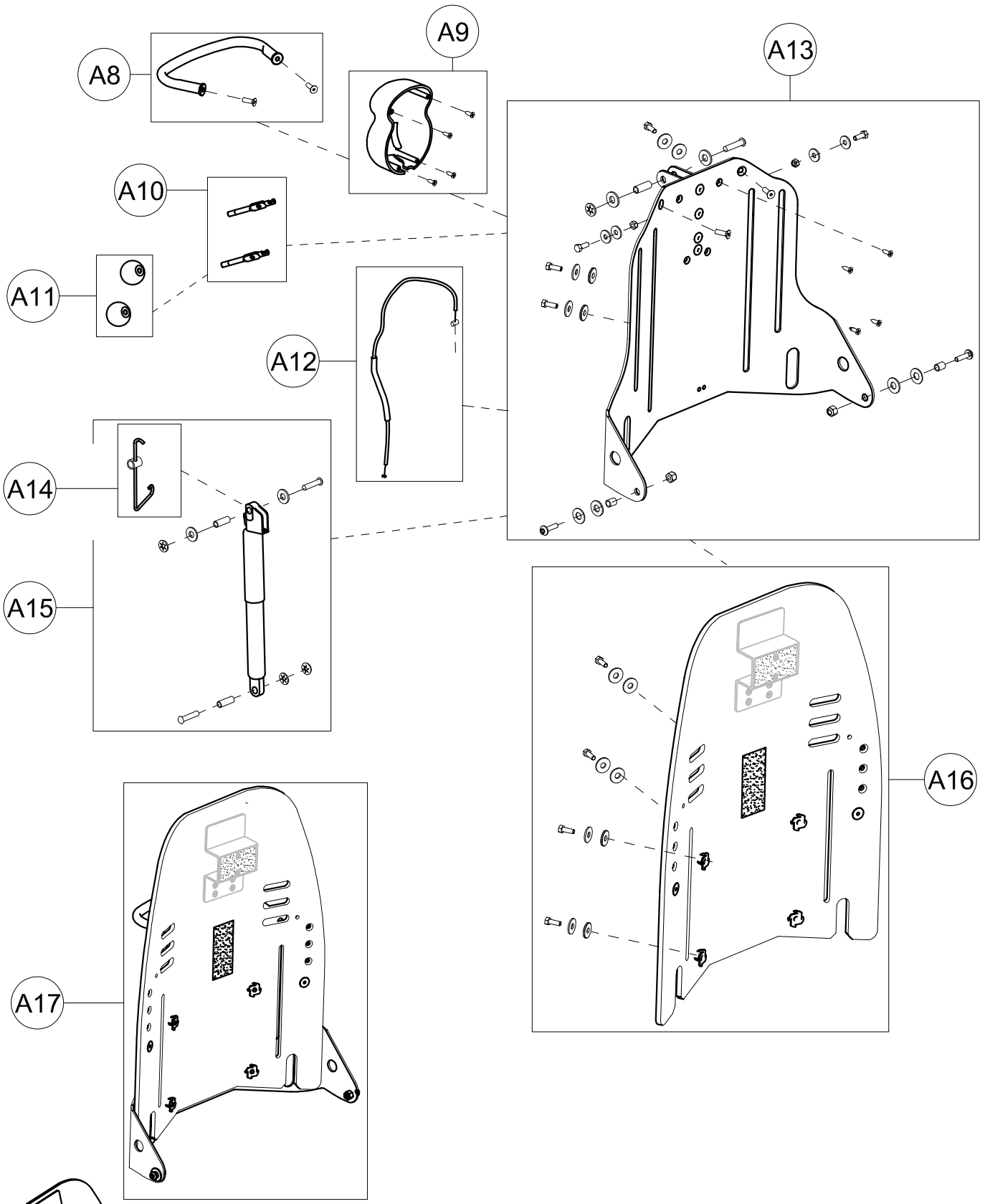
A44



A5	105601	BUG Small SEAT UNIT (NO UPHOLSTERY)
A41	171641	LIGHT GREY GREEN UPHOLSTERY BUG Small
A42	171642	LIGHT GREY PINK UPHOLSTERY BUG Small
A43	171643	DARK GREY GREEN UPHOLSTERY BUG Small
A44	171644	DARK GREY PINK UPHOLSTERY BUG Small
POS.	PART NR.	DESCRIPTION

**Spare Parts BUG Small SEAT UNIT**

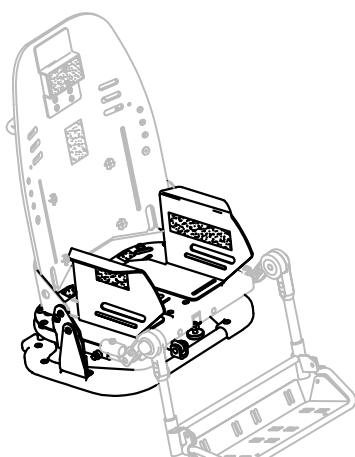
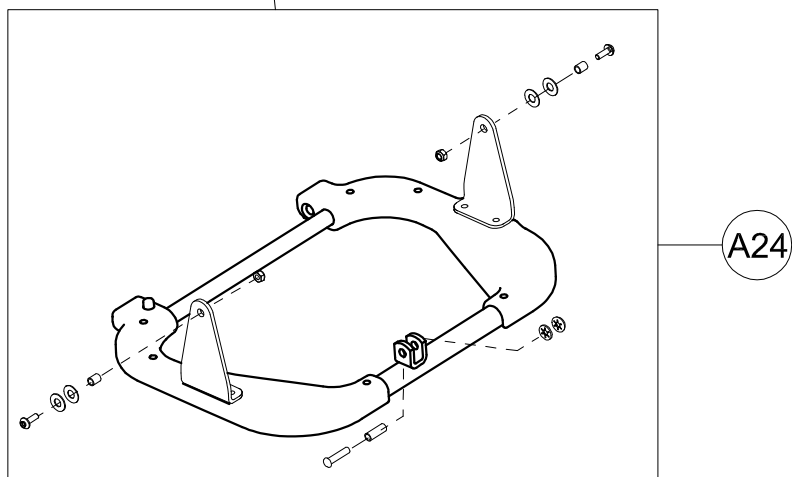
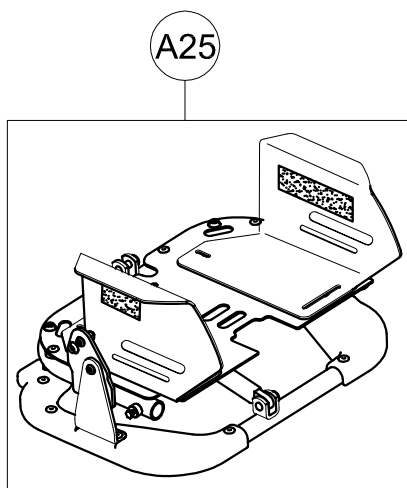
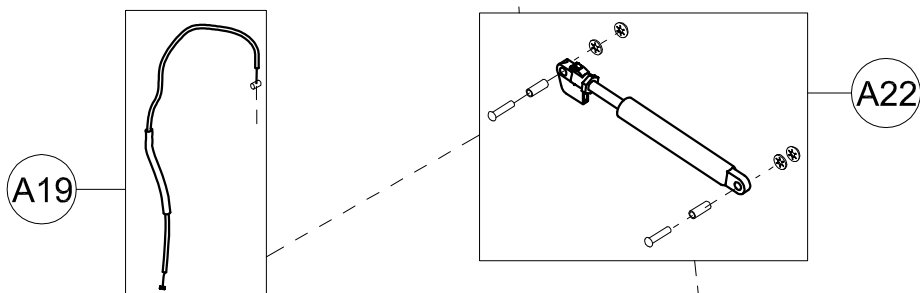
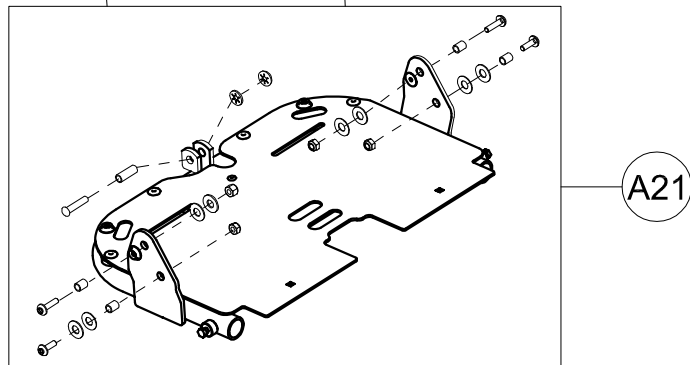
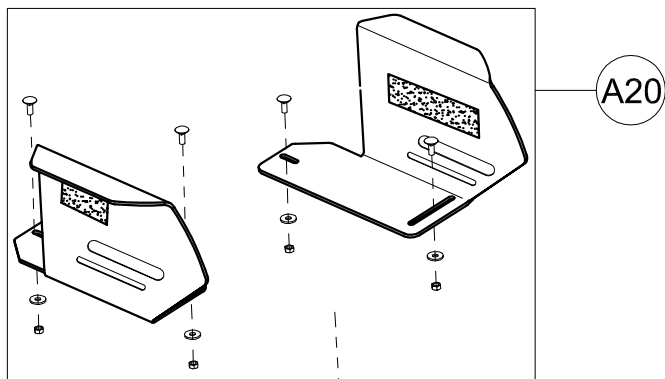




A8	301355	COMPLETE HANDLE OF THE SEATING UNIT FOR BUG
A9	301356	COMPLETE COVER OF THE BACKREST FOR BUG
A10	301965	PAIR OF INCLINATION/TILTING CONTROL LEVERS BUG
A11	301966	PAIR OF KNOB D30 RED / BLACK BUG
A12	21350	CABLE + COMPLETE SHEATH OF THE SEAT FOR BUG Small
A13	301361	COMPLETE ADJUSTMENT OF THE BACKREST FOR BUG Small
A14	301969	SPRING, Ø0, 7 + BUSHING FOR GAS SPRING
A15	301967	COMPLETE GAS SPRINGS BACKREST FOR BUG Small
A16	303348	BACKREST + SCREWS FOR BUG Small
A17	303350	COMPLETE BACKREST BUG Small
POS.	PART NR.	DESCRIPTION

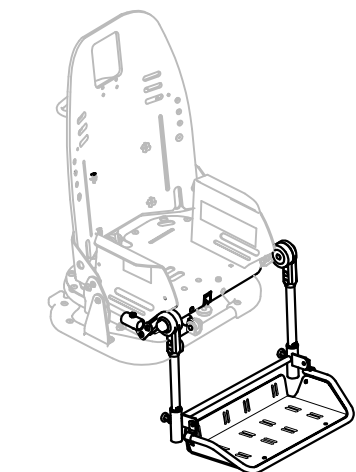
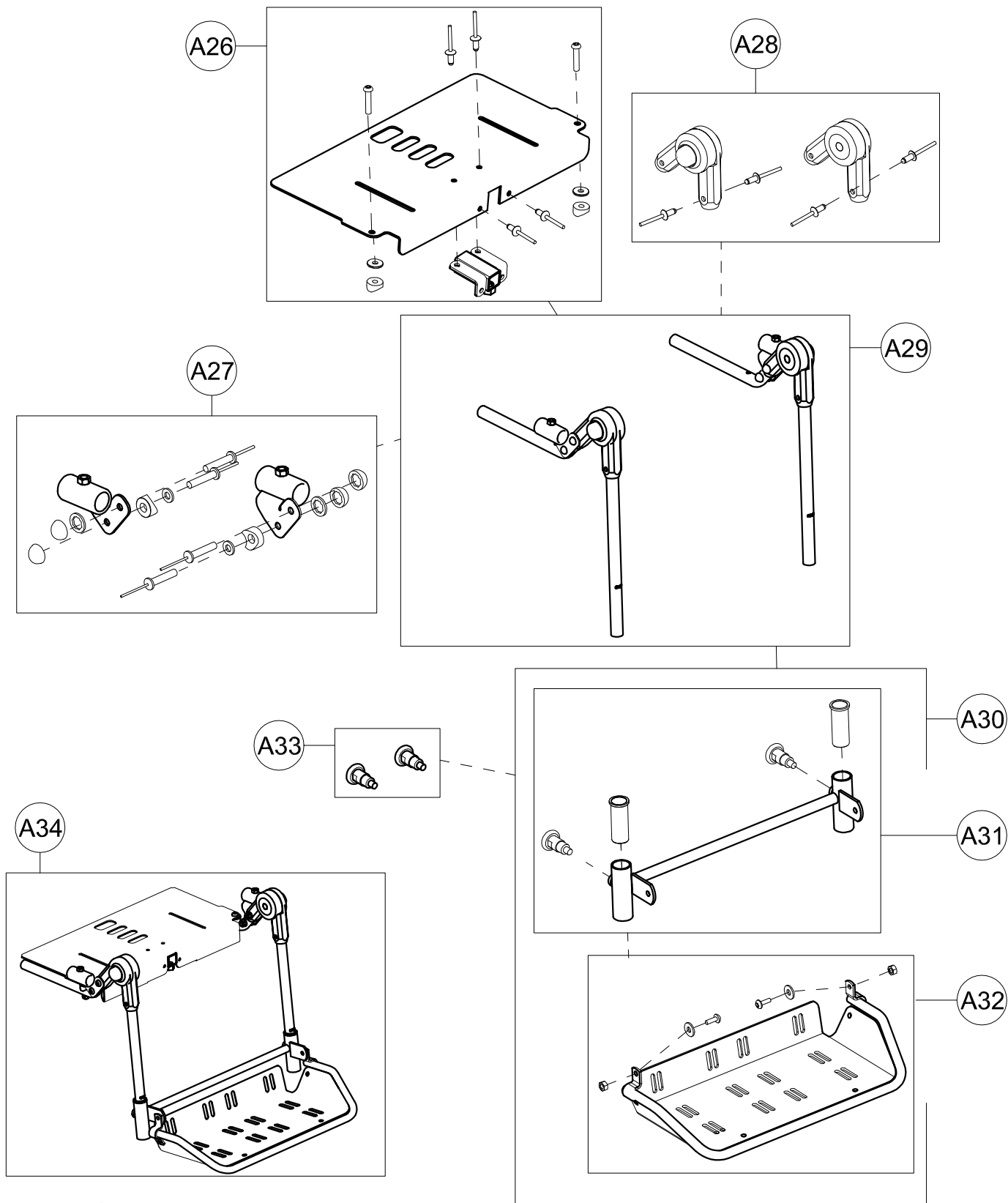
Spare Parts BACKREST STRUCTURE mis. Small





A19	21350	CABLE+ SHEATH SEAT BUG Small
A20	302043	COMPLETE RIGHT/LEFT SIDES OF THE SEAT FOR BUG Small
A21	301348	COMPLETE SEAT FOR BUG Small
A22	301587	GAS SPRING FOR BUG TILT + SCREWS
A24	301351	LOWER SEAT FOR BUG Small
A25	301447	COMPLETE LOWER SEATING FRAME BUG Small
POS.	PART NR.	DESCRIPTION

Spare Parts LOWER SEATING FRAME Size Small



A26	301970	EXTENDED SEAT BUG Small +JOIN PIECE OF THE ABDUCTION BLOCK
A27	303062	PAIR OF TRAY ATTACHMENT BUG
A28	301972	PAIR OF LEGREST PVC JOINTS FOR BUG Small
A29	303262	RIGHT/ LEFT LEGRESTS + JOINTS BUG Small
A30	301435	COMPLETE FOOTREST FOR BUG Small 3R-4R
A31	301437	COMPLETE TROUSER HEM-BINDING FOR BUG Small 3R/4R
A32	301439	COMPLETE FOOTREST BUG Small WITHOUT HEM-BINDING
A33	301892	PAIR OF M10X1 SPRING LOCKING MECHANISM
A34	303264	FOOT AND LEGREST WITH EXTENDED SEAT BUG Small
POS.	PART NR.	DESCRIPTION

Spare Parts

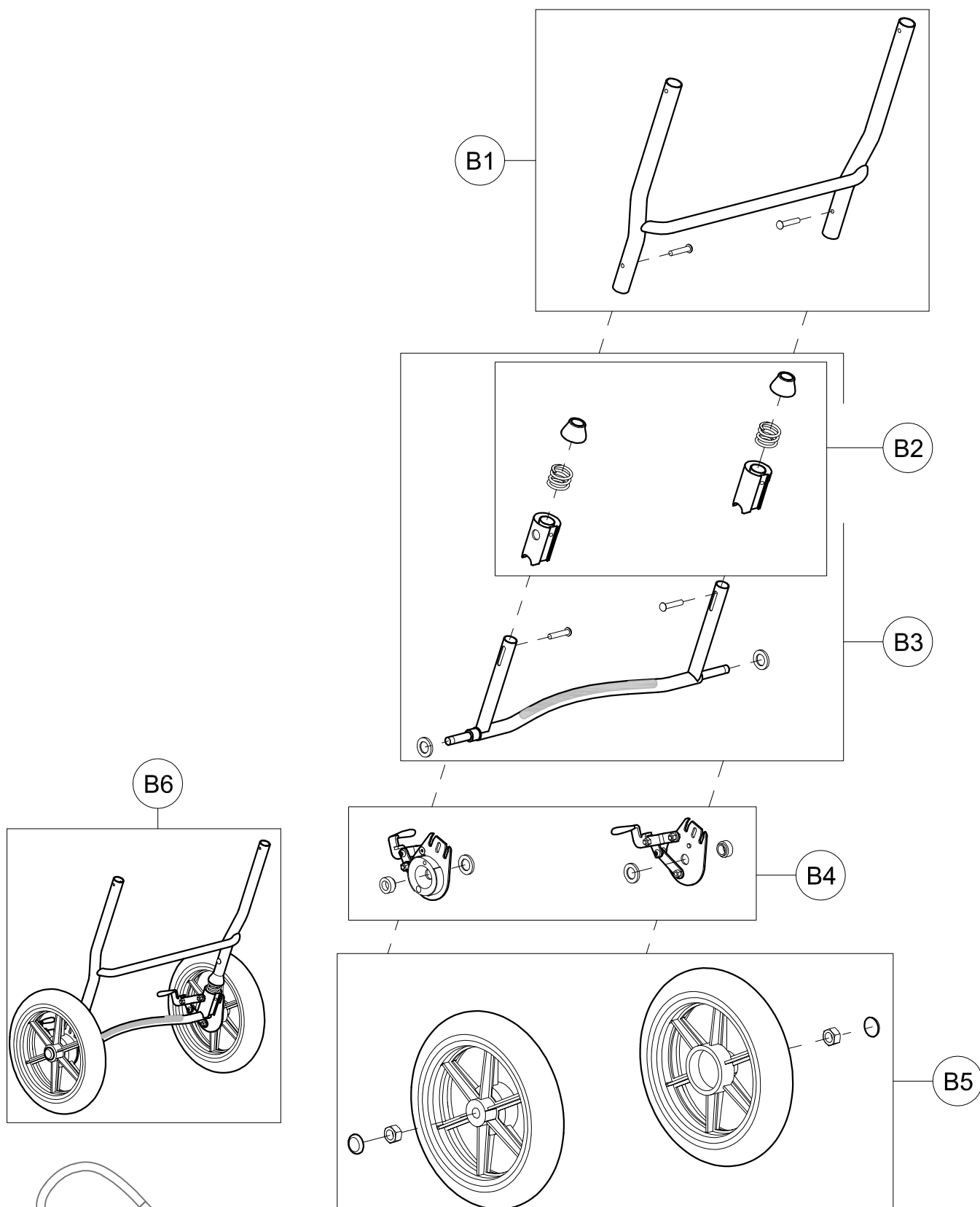
FOOT AND LEGREST WITH  
EXTENDED SEAT size Small

pag. 5

**ORMEDA**

**BUG**

THIS DRAWING BELONGS TO ORMEDA: IT IS FORBIDDEN TO REPRODUCE, CHANGE OR INFORM ANY THIRD PARTY ABOUT ITS CONTENTS

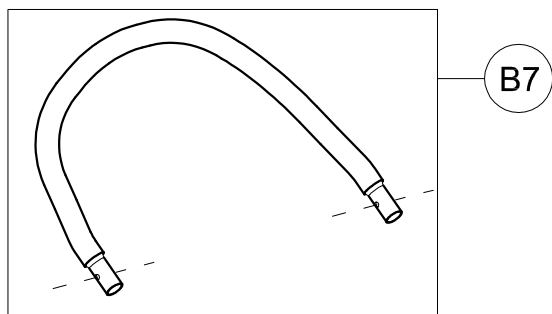


B1	301975N	BACK FRAME FOR BUG Small 4R (BLACK)
B2	301979	SET OF SHOCK ABSORBERS FOR BUG Small
B3	301977N	COMPLETE FRAME OF SHOCK ABSORBER FOR BUG Small 4R
B4	301981	PAIR OF RIGHT-LEFT BRAKE COMPLETE BUG
B5	301982	PAIR OF REAR WHEELS 10" BUG Small
B6	301984N	COMPLETE BACK FRAME OF THE 869 BASE BUG Small
POS.	PART NR.	DESCRIPTION

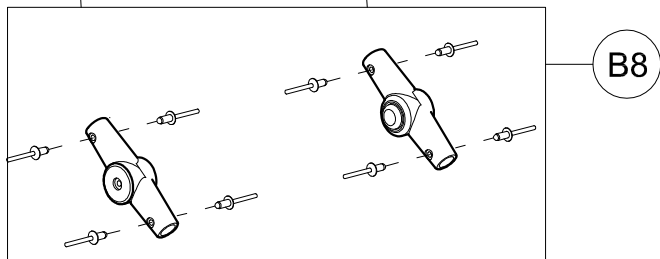
**Spare Parts BACK FRAME OF THE 869 BASE size Small**

**ORMESA**

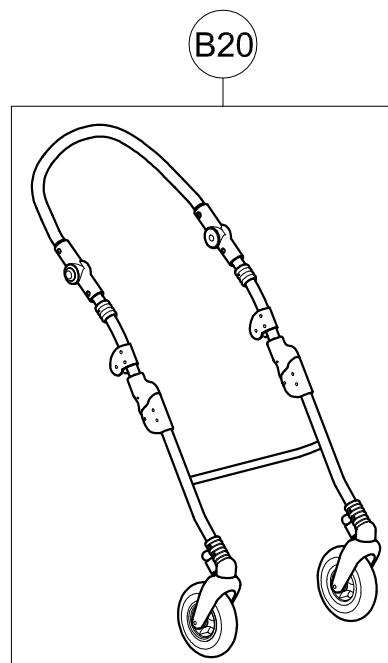
**BUG**



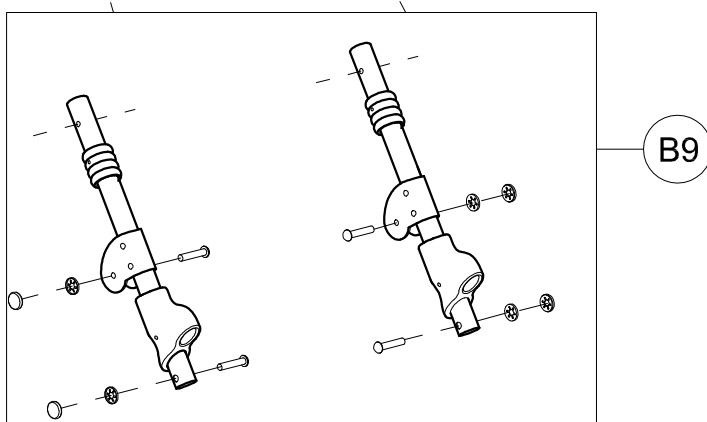
B7



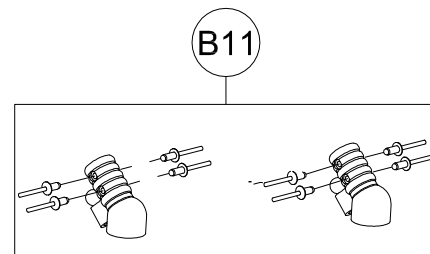
B8



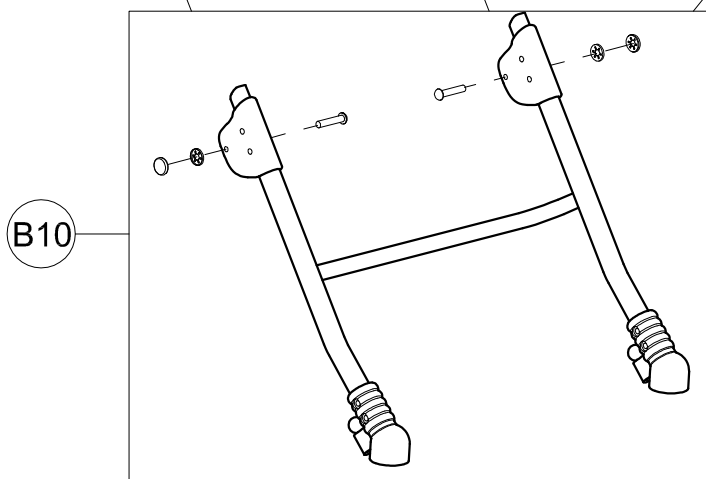
B20



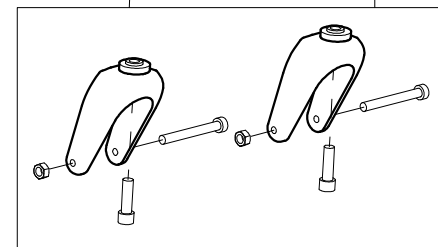
B9



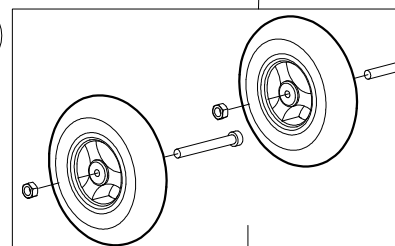
B11



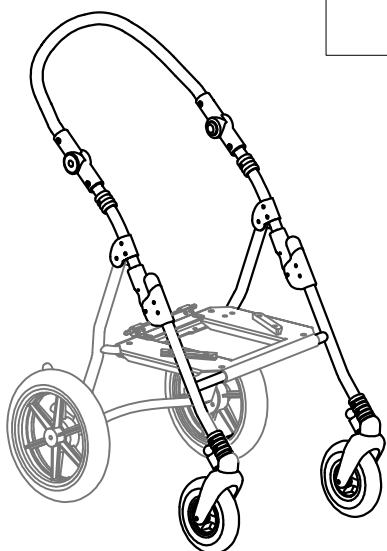
B10



B12



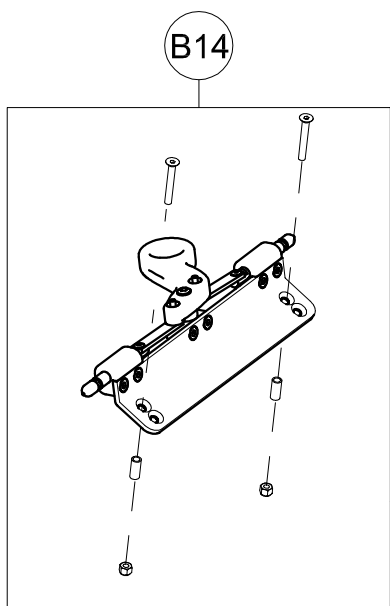
B13



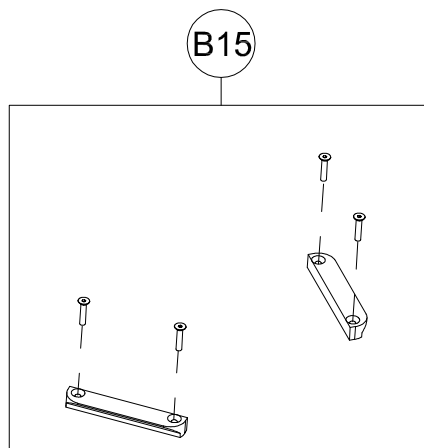
B7	301465	COMPLETE PUSH HANDLE OF BUG Small
B8	302431	PAIR OF PUSH HANDLE JOINTS WITH RIVET BUG 3R/4R
B9	301987N	PAIR OF PUSH HANDLE TUBES FOR BUG Small 4R
B10	301989N	COMPLETE FRONT FRAME + WHEEL SUPPORT BUG Small 4R (BLACK)
B11	301991	PAIR OF FRONT WHEEL SUPPORTS FOR BUG 4R
B12	302262	PAIR OF FRONT WHEEL FORKS FOR BUG 4R
B13	302263	PAIR OF FRONT WHEELS FOR BUG 4R
B20	301993N	COMPLETE FRONT FRAME OF THE 869 BASE BUG Small (BLACK)
POS.	PART NR.	DESCRIPTION

Spare Parts FRONT FRAME OF THE 869 BASE size Small

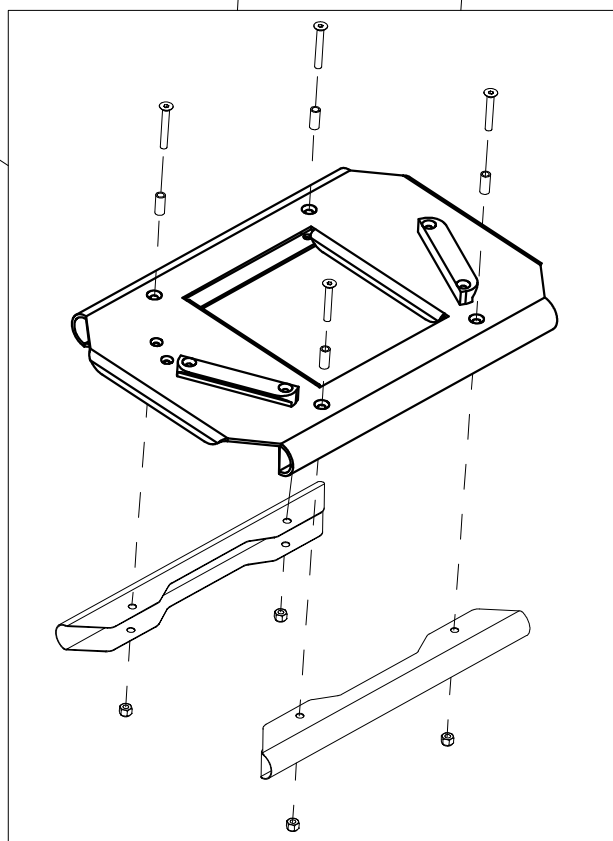




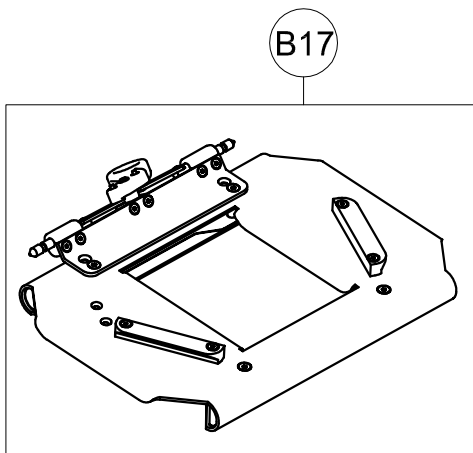
B14



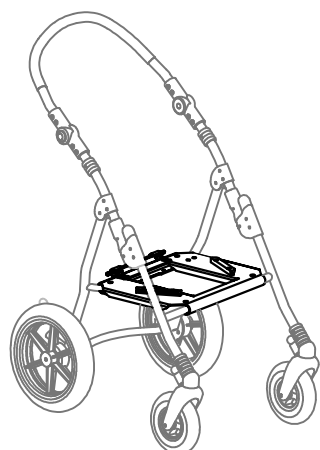
B15



B16

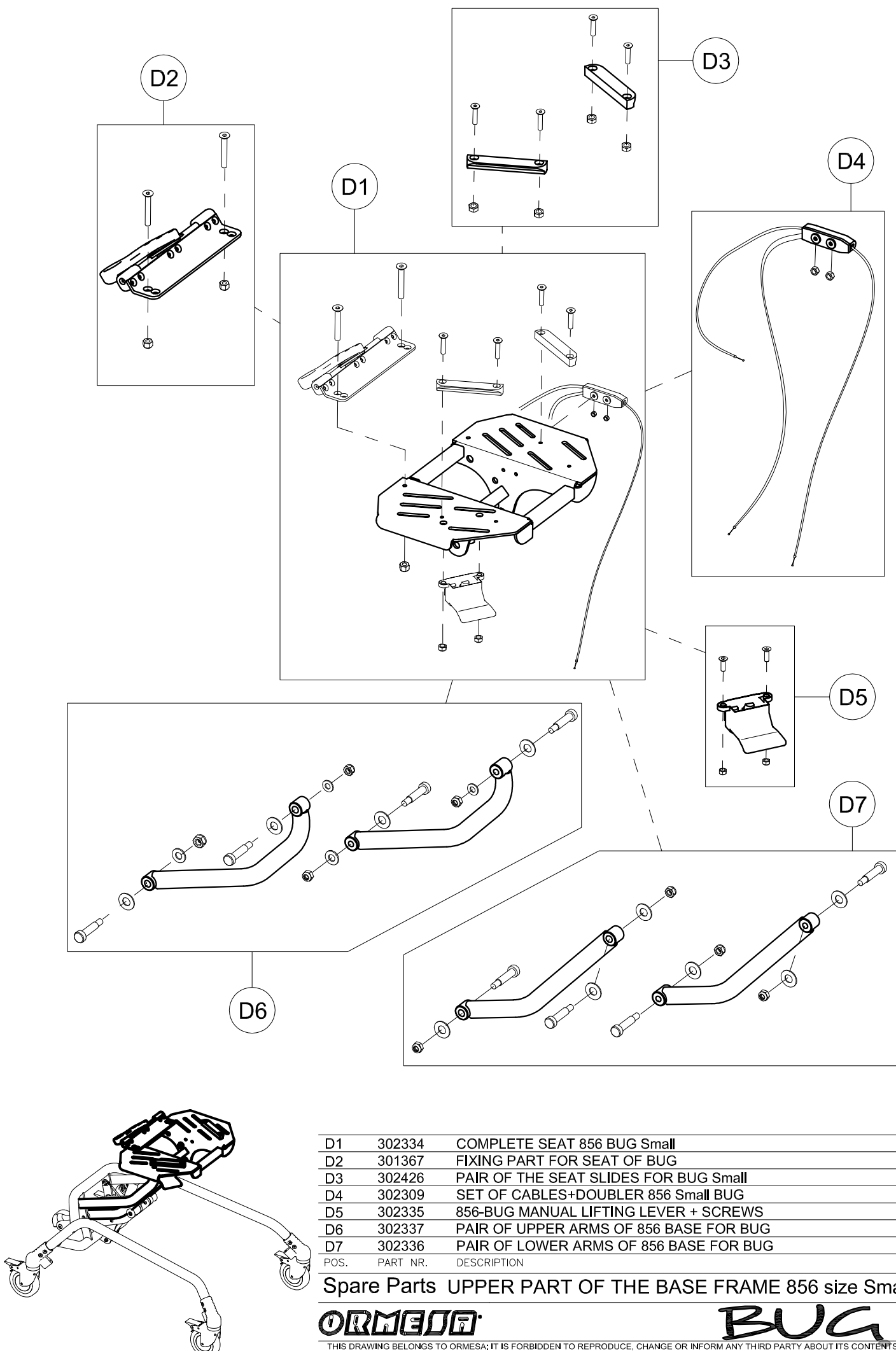


B17



B14	301367	FIXING PART FOR SEAT OF BUG
B15	301995	PAIR OF THE SEAT SLIDES FOR BUG Small
B16	302462	SHEET-METAL OF THE SEAT FOR 869 BUG Small +SLIDES + SCREWS
B17	302468	SEAT OF THE 869 BASE BUG Small
POS.	PART NR.	DESCRIPTION

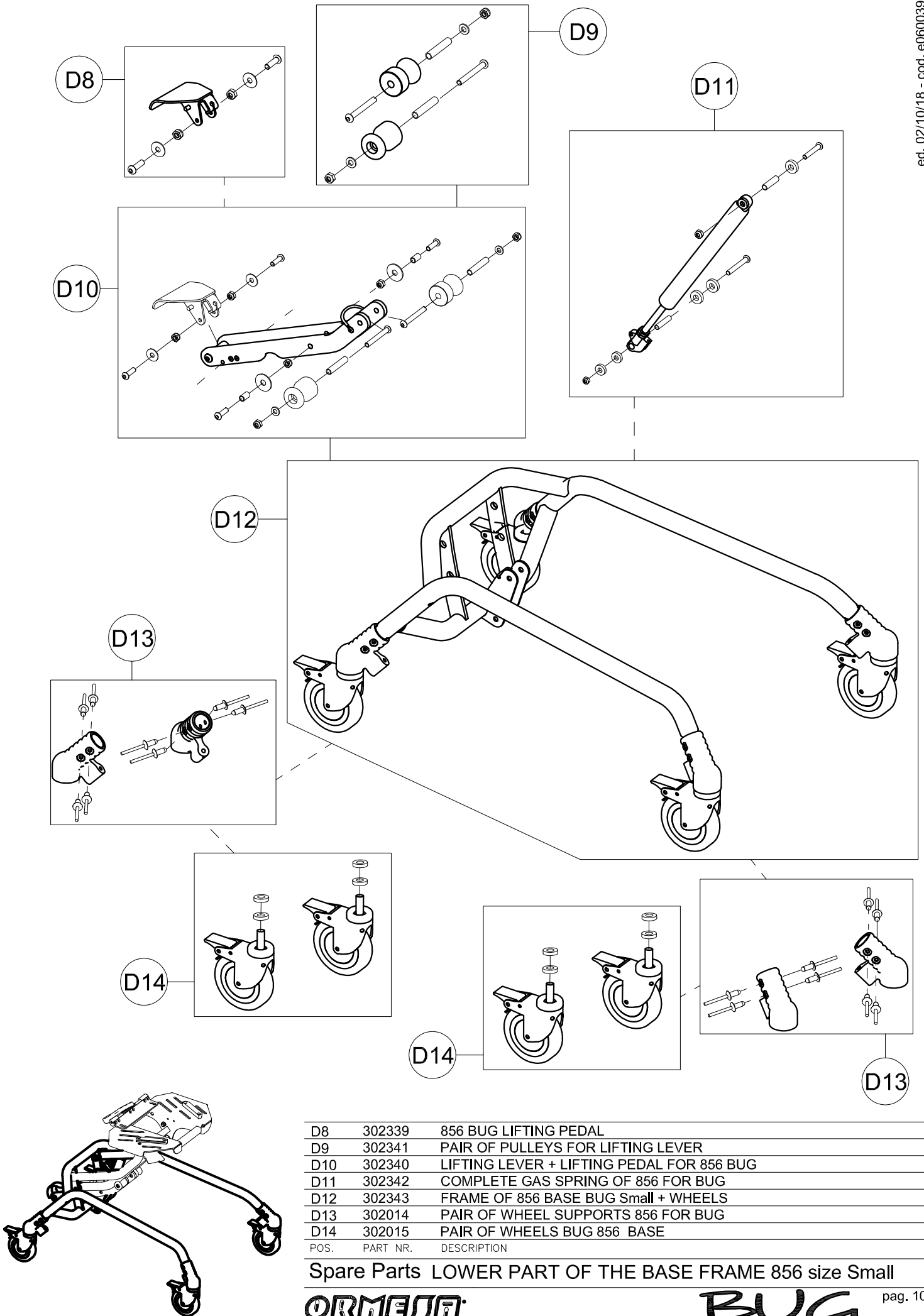
**Spare Parts SEAT OF THE 869 BASE size Small**



D1	302334	COMPLETE SEAT 856 BUG Small
D2	301367	FIXING PART FOR SEAT OF BUG
D3	302426	PAIR OF THE SEAT SLIDES FOR BUG Small
D4	302309	SET OF CABLES+DOUBLER 856 Small BUG
D5	302335	856-BUG MANUAL LIFTING LEVER + SCREWS
D6	302337	PAIR OF UPPER ARMS OF 856 BASE FOR BUG
D7	302336	PAIR OF LOWER ARMS OF 856 BASE FOR BUG
POS.	PART NR.	DESCRIPTION

**Spare Parts UPPER PART OF THE BASE FRAME 856 size Small**

THIS DRAWING BELONGS TO ORMESA: IT IS FORBIDDEN TO REPRODUCE, CHANGE OR INFORM ANY THIRD PARTY ABOUT ITS CONTENTS



D8	302339	856 BUG LIFTING PEDAL
D9	302341	PAIR OF PULLEYS FOR LIFTING LEVER
D10	302340	LIFTING LEVER + LIFTING PEDAL FOR 856 BUG
D11	302342	COMPLETE GAS SPRING OF 856 FOR BUG
D12	302343	FRAME OF 856 BASE BUG Small + WHEELS
D13	302014	PAIR OF WHEEL SUPPORTS 856 FOR BUG
D14	302015	PAIR OF WHEELS BUG 856 BASE
POS.	PART NR.	DESCRIPTION

Spare Parts LOWER PART OF THE BASE FRAME 856 size Small

**ORMESA**

**BUG**